

Промышленные приводы ABB

Руководство по монтажу и вводу в эксплуатацию
Приводы ACS880-01
(0,55–250 кВт, 0,75–350 л.с.)



Power and productivity
for a better world™



Перечень сопутствующих руководств

Руководства и инструкции по аппаратным средствам привода Код (англ. версия) Код (русс. версия)

<i>ACS880-01 hardware manual</i>	3AUA0000078093	3AUA0000108487
<i>ACS880-01 quick installation guide for frames R1 to R3</i>	3AUA0000085966	3AUA0000085966
<i>ACS880-01 quick installation guide for frames R4 and R5</i>	3AUA0000099663	3AUA0000099663
<i>ACS880-01 quick installation guide for frames R6 to R9</i>	3AUA0000099689	3AUA0000099689
<i>ACS880-01 +P940/+P944 drives for cabinet installation supplement</i>	3AUA0000145446	
<i>ACS880-01 assembly drawings for cable entry boxes of IP21 frames R5 to R9</i>	3AUA0000119627	
<i>ACS-AP-x assistant control panels user's manual</i>	3AUA0000085685	
<i>Vibration dampers for ACS880-01 drives (frames R4 and R5, option +C131) installation guide</i>	3AXD50000010497	
<i>Vibration dampers for ACS880-01 drives (frames R6 to R9, option +C131) installation guide</i>	3AXD50000013389	
<i>ACS880-01/04 +C132 marine type-approved drives supplement</i>	3AXD50000010521	
<i>Flange mounting kit installation supplement</i>	3AXD50000019100	
<i>Common mode filter kit for ACS880-01 drives (frame R6, option +E208) installation guide</i>	3AXD50000015178	
<i>Common mode filter kit for ACS880-01 drives (frame R7, option +E208) installation guide</i>	3AXD50000015179	
<i>Common mode filter kit for ACS880-01 drives (frame R8, option +E208) installation guide</i>	3AXD50000015180	
<i>Common mode filter kit for ACS880-01 drives (frame R9, option +E208) installation guide</i>	3AXD50000015201	
<i>ACS880-01 drives and ACS880-04 drive modules common DC systems application guide</i>	3AUA0000127818	

Руководства по микропрограммному обеспечению приводов

<i>ACS880 primary control program firmware manual</i>	3AUA0000085967	3AUA0000111136
<i>Quick start-up guide for ACS880 drives with primary control program</i>	3AUA0000098062	3AUA0000098062

Руководства и указания по дополнительным компонентам

Руководства и краткие указания по модулям расширения входов/выходов, интерфейсным модулям Fieldbus и т.д.

В сети Интернет представлены руководства и другие документы по изделиям в формате PDF. См. раздел [Библиотека документов в сети Интернет](#) на внутренней стороне задней обложки. Для получения руководств, отсутствующих в библиотеке документов, обращайтесь в местное представительство корпорации АБВ.

Код, приведенный ниже, открывает онлайн-перечень руководств, применимых к настоящему изделию.



[Руководства по ACS880-01](#)

Руководство по монтажу и вводу в эксплуатацию

Приводы ACS880-01
(0,55–250 кВт, 0,75–350 л.с.)

Содержание



1. Инструкция по технике безопасности



4. Механический монтаж



6. Электрический монтаж



8. Запуск



Update notice

The notice concerns the ACS880-01 hardware manuals listed below.

Contents of the notice: New drive types ACS880-01-442A-3 and ACS880-01-441A-5, changed aR fuses, added minimum switching frequency for sine filters, updated acceptance test procedure, changed safety data. **Notice code (EN):** 3AUA0000121542 Rev J. **Valid:** From 2017-02-09 until revision L of the manual.

Manual code	Revision	Language	
3AUA0000078093	K	English	EN
3AUA0000126407	J	Dansk	DA
3AUA0000103702	J	Deutsch	DE
3AUA0000103703	J	Español	ES
3AUA0000103704	J	Suomi	FI
3AUA0000103705	J	Français	FR
3AUA0000103706	J	Italiano	IT
3AUA0000103707	J	Nederlands	NL
3AUA0000130231	J	Poliski	PL
3AUA0000126408	J	Português	PT
3AUA0000108487	J	Русский	RU
3AUA0000103708	J	Svenska	SV
3AUA0000126409	J	Türkçe	TR

General safety

Added:

Before you activate the automatic fault reset or automatic restart functions of the drive control program, make sure that no dangerous situations can occur. These functions reset the drive automatically and continue operation after a fault or supply break. If these functions are activated, the installation must be clearly marked as defined in IEC/EN 61800-5-1, subclause 6.5.3, for example, "THIS MACHINE STARTS AUTOMATICALLY".

Type code key

Added:

Option codes (plus codes)	
Construction	
C205	Marine product certification for DNV-GL. Requires option +C132.
C206	Marine product certification for ABS. Requires option +C132.
C207	Marine product certification for Lloyd's register. Requires option +C132.

2 Update notice

C208	Marine product certification for RINA. Requires option +C132.
C209	Marine product certification for BV. Requires option +C132.
C210	Marine product certification for NK. Requires option +C132.
C132	Marine type-approved drive. Requires option +C131 in wall installations for frames R4 to R9. Includes common mode filter for frames R6 to R9.
C228	Marine product certification for CCS. Requires option +C132.
I/O extensions and feedback interfaces	
L521	FSE-31 pulse encoder interface module
L536	FPTC-01 Thermistor protection module for ACS880 drives
L537	FPTC-02 ATEX-certified thermistor protection module, EX II (2) GD for ACS880 drives
Safety functions modules	
Q972	FSO-21 safety functions module

Typical power cable sizes

Added:

Drive type ACS880-01-	Frame size	IEC ¹⁾		US ²⁾	
		Cu cable type	Al cable type	Cu cable type	Al cable type
		mm ²	mm ²	AWG/kcmil	AWG/kcmil
$U_N = 400\text{ V}$					
442A-3	R9	2 × (3×150)	2 × (3×240)	2 × 250 MCM	-
$U_N = 500\text{ V}$					
441A-5	R9	2 × (3×150)	2 × (3×240)	2 × 250 MCM	-

3AXD00000588487

Added:

Drive type ACS880-01-	Frame size	ABB miniature circuit breaker		ABB moulded case circuit breaker (Tmax)	
		Type	kA ¹⁾	Type	kA ¹⁾
$U_N = 400\text{ V}$					
442A-3	R9	-	-	1SDA054420R1	65
$U_N = 500\text{ V}$					
441A-5	R9	-	-	1SDA054420R1	65

¹⁾ Maximum allowed rated conditional short-circuit current (IEC 61800-5-1) of the electrical power network

Implementing a bypass connection

Added:

If bypassing is required, employ mechanically or electrically interlocked contactors between the motor and the drive and between the motor and the power line. Make sure with interlocking that the contactors cannot be closed simultaneously. The installation must be clearly marked as defined in IEC/EN 61800-5-1, subclause 6.5.3, for example, “THIS MACHINE STARTS AUTOMATICALLY”.

Implementing a motor temperature sensor connection

Changed:



WARNING! IEC 60664 requires double or reinforced insulation between live parts and the surface of accessible parts of electrical equipment which are either non-conductive but not connected to the protective earth.

To connect a motor temperature sensor and other similar components to the drive, you have four alternatives:

1. If there is double or reinforced insulation between the sensor and the live parts of the motor, you can connect the sensor directly to the inputs of the drive.
2. If there is basic insulation between the sensor and the live parts of the motor, you can connect the sensor to the inputs of the drive if all circuits connected to the drive's digital and analog inputs (typically extra-low voltage circuits) are protected against contact and insulated with basic insulation from other low-voltage circuits. The insulation must be rated for the same voltage level as the drive main circuit. Note that extra-low voltage circuits (such as 24 V DC) typically do not meet these requirements.
3. You can connect the sensor to an extension module with basic insulation (eg, FAIO-01) or reinforced insulation (eg, FPTC-xx) between the sensor connector and the other connectors of the module. See the table below for the sensor insulation requirement. For sensor connection to the extension module, see its manual.
4. You can connect a sensor to an external thermistor relay the insulation of which is rated for the main circuit voltage of the drive.

■ Drive I/O, I/O extension and encoder interface modules

See sections:

- section AI1 and AI2 as Pt100, Pt1000, PTC and KTY84 sensor inputs (XAI, XAO)
- section DI6 (XDI:6) as PTC sensor input
- FPTC-01 thermistor protection module (option +L536) for ACS880 drives user's manual (3AXD50000027750 [English])
- FPTC-02 ATEX-certified thermistor protection module Ex II (2) GD (option +L537+Q971) for ACS880 drives user's manual (3AXD50000027782 [English]).

This table shows what temperature sensor types you can connect to the drive I/O extension modules as well as the insulation requirement for the sensor.

Extension module		Temperature sensor type			Temperature sensor insulation requirement
Type	Insulation/Isolation	PTC	KTY	Pt100 , Pt1000	
FIO-11	Galvanic isolation between sensor connector and other connectors (including drive control unit connector)	-	X	X	Reinforced insulation
FEN-xx	Galvanic isolation between sensor connector and other connectors (including drive control unit connector)	X	X	-	Reinforced insulation
FAIO-01	Basic insulation between sensor connector and drive control unit connector. No insulation between sensor connector and other IO connectors.	X	X	X	Basic insulation. Connectors of extension module other than sensor connector must be left unconnected.
FPTC-xx	Reinforced insulation between sensor connector and other connectors (including drive control unit connector).	X	-	-	No special requirement

Recommended maintenance intervals after start-up

Changed:

Component	Years from start-up							
	3	6	9	12	15	18	20	21
Cooling								
Main cooling fan (frames R1 to R9)			R			R		
Auxiliary cooling fan for circuit boards (frames R1 to R9)			R			R		
Auxiliary cooling fan IP55 (frames R8 and R9)			R			R		
Aging								
Battery for control panel and ZCU control unit			R			R		

Ratings

Changed and added:

IEC RATINGS										
Drive type ACS880-01-	Frame size	Input rating	Output ratings							
			Nominal use				Light-overload use		Heavy-duty use	
			I_1	I_{max}	I_2	P_N	S_N	I_{Ld}	P_{Ld}	I_{Hd}
		A	A	A	kW	kVA	A	kW	A	kW
$U_N = 400\text{ V}$										
430A-3	R9	430	545	430	250	298	400	200	363**	200
442A-3	R9	442	545	442	250	306	420	200	363***	200
$U_N = 500\text{ V}$										
414A-5	R9	414	542	414	200	359	393	200	361**	200
441A-5	R9	441	545	441	250	359	420	200	361***	200

Added:

NEMA RATINGS										
Drive type ACS880-01-	Frame size	Input rating	Output ratings							
			Max. current	App. power	Light-overload use			Heavy-duty use		
			I_1	I_{max}	S_n	I_{Ld}	P_{Ld}	I_{Hd}	P_{Hd}	
		A	A	kVA	A	kW	hp	A	kW	hp
$U_N = 460\text{ V}$										
441A-5	R9	441	545	359	420	250	350	361****	200	300

Definitions

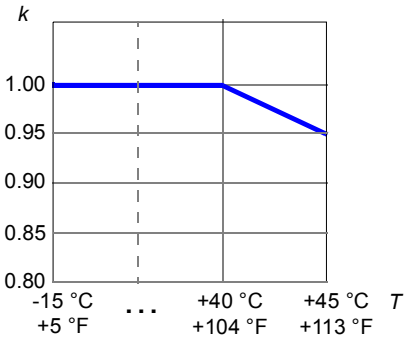
I_{Hd}	Continuous rms output current allowing 50% overload for 1 minute every 5 minutes. * Continuous rms output current allowing 30% overload for 1 minute every 5 minutes. ** Continuous rms output current allowing 25% overload for 1 minute every 5 minutes. *** Continuous rms output current allowing 35% overload for 1 minute every 5 minutes in IEC ratings. **** Continuous rms output current allowing 35% overload for 1 minute every 5 minutes in NEMA ratings.
----------	--

Ambient temperature derating

Added:

IP55 (UL Type 12) drive types -442A-3 and -441A-5

In the temperature range +40...45 °C (+104...113 °F), the rated output current is derated by 1% for every added 1 °C (1.8 °F). The maximum temperature is 45 °C (113 °F). The output current can be calculated by multiplying the current given in the rating table by the derating factor (k):



Altitude derating

Added:

The altitude derating can be reduced if the temperature is below +40 °C, for example, if the temperature is 30 °C, the derating factor is $1 - 1.5\% \cdot 10 = 0.85$. You can reduce the output current by 35% instead of 40% at 4000 meter above the sea level.

Ex motor, sine filter, low noise

Added:

Note: If Ex motors are used together with sine filters, *EX motor* in Parameter **95.15 Special HW settings** is disabled and *ABB Sine filter* in Parameter **95.15 Special HW settings** is enabled. Obey the instructions of the motor manufacturer.

Drive type ACS880-01-	Output ratings							
	EX motor (ABB Ex motors)				ABB Sine filter			
	Nominal use		Light-duty use	Heavy-duty use	Nominal use		Light-duty use	Heavy-duty use
	I_N	P_N	I_{Ld}	I_{Hd}	I_N	P_N	I_{Ld}	I_{Hd}
A	kW	A	A	A	kW	A	A	
$U_N = 400\text{ V}$								
442A-3	396	200	386	334*	352	160	334	296**
$U_N = 500\text{ V}$								
441A-5	396	200	386	334*	332	200	315	289**

Drive type ACS880-01-	Output ratings with selection Low noise optimization of parameter Parameter 97.09 Switching freq mode		
	Nominal use	Light- duty use	Heavy-duty use
	I_N	I_{Ld}	I_{Hd}
	A	A	A
$U_N = 400\text{ V}$			
442A-3	334	326	282*
$U_N = 500\text{ V}$			
441A-5	334	326	282*

I_{Hd}	<p>Continuous rms output current allowing 50% overload for 1 minute every 5 minutes.</p> <p>* Continuous rms output current allowing 30% overload for 1 minute every 5 minutes.</p> <p>** Continuous rms output current allowing 25% overload for 1 minute every 5 minutes.</p>
----------	---

High speed mode

Added and changed: At the output frequency 120 Hz no derating.

Drive module type ACS880-01-	Output ratings with selection High speed mode of parameter 95.15 Special HW settings			
	Maximum output frequency			
	f_{\max}	Nominal use	Light-duty use	Heavy-duty use
		I_N	I_{Ld}	I_{Hd}
	Hz	A	A	A
$U_N = 230\text{ V}$				
04A6-2	500	4.1	3.9	3.3
06A6-2	500	5.9	5.6	4.1
07A5-2	500	6.7	6.4	5.9
10A6-2	500	9.5	9.0	6.7
16A8-2	500	15.0	14.3	9.5
24A3-2	500	22.0	20.9	15.0
031A-2	500	30.0	28.5	22.0
046A-2	500	41.0	39.0	30.0
061A-2	500	56	53	41
075A-2	500	56	53	47
087A-2	500	67	64	56
115A-2	500	84	80	67
145A-2	500	106	101	84
170A-2	500	135	128	106
206A-2	500	165	157	135
274A-2	500	189	180	165
$U_N = 400\text{ V}$				
02A4-3	500	2.2	2.1	1.7
03A3-3	500	3.0	2.9	2.2
04A0-3	500	3.6	3.4	3.0
05A6-3	500	5.0	4.8	3.6
07A2-3	500	6.5	6.2	5.0
09A4-3	500	8.5	8.1	6.5
12A6-3	500	11.3	10.7	8.5
017A-3	500	15	14.3	11.3
025A-3	500	22	20.9	15.0
032A-3	500	30	29	22
038A-3	500	35	33	30
045A-3	500	41	39	35
061A-3	500	56	53	41
072A-3	500	56	53	47
087A-3	500	67	64	56

Drive module type ACS880-01-	Output ratings with selection High speed mode of parameter 95.15 Special HW settings			
	Maximum output frequency			
	f_{\max}	Nominal use	Light-duty use	Heavy-duty use
		I_N	I_{Ld}	I_{Hd}
	Hz	A	A	A
105A-3	500	77	73	67
145A-3	500	106	101	77
169A-3	500	135	128	106
206A-3	500	165	157	135
246A-3	500	170	162	143
293A-3	500	202	192	170*
363A-3	500	236	224	202
430A-3	500	280	266	236**
442A-3	500	288	282	243*
$U_N = 500$ V				
02A1-5	500	1.8	1.7	1.4
03A0-5	500	2.6	2.5	1.8
03A4-5	500	2.9	2.8	2.6
04A8-5	500	4.1	3.9	2.9
05A2-5	500	4.4	4.2	4.1
07A6-5	500	6.5	6.2	4.4
11A0-5	500	9.4	8.9	6.5
014A-5	500	12.0	11.4	9.4
021A-5	500	18.0	17.1	12.0
027A-5	500	23.0	21.9	18.0
034A-5	500	29	28	23
040A-5	500	29	28	23
052A-5	500	37	35	29
065A-5	500	39	37	33
077A-5	500	46	44	39
096A-5	500	58	55	46
124A-5	500	74	70	58
156A-5	500	122	116	74
180A-5	500	140	133	122
240A-5	500	168	160	140
260A-5	500	182	173	168*
361A-5	500	206	196	182
414A-5	500	236	224	206**
441A-5	500	288	282	243*

Drive module type ACS880-01-	Output ratings with selection High speed mode of parameter 95.15 Special HW settings			
	Maximum output frequency			
	f_{\max}	Nominal use	Light-duty use	Heavy-duty use
		I_N	I_{Ld}	I_{Hd}
	Hz	A	A	A
$U_N = 690 \text{ V}$				
07A3-7	500	6.6	6.3	5.3
09A8-7	500	8.8	8.4	6.6
14A2-7	500	12.8	12.2	8.8
018A-7	500	16	15	13
022A-7	500	20	19	16
026A-7	500	23	22	20
035A-7	500	32	30	23
042A-7	500	38	36	32
049A-7	500	44	42	38
061A-7	500	44	42	40
084A-7	500	53	50	44
098A-7	500	68	65	53
119A-7	500	83	79	68
142A-7	500	83	79	72
174A-7	500	96	91	83
210A-7	500	101	96	83
271A-7	500	130	124	101

3AXD00000588487

f	Output frequency
f_{\max}	Maximum output frequency with High speed mode
U_N	Nominal voltage of the drive
I_N	Continuous rms output current. No overload capability at 40 °C (104 °F)
P_N	Typical motor power in no-overload use.
I_{Ld}	Continuous rms output current allowing 10% overload for 1 minute every 5 minutes
I_{Hd}	Continuous rms output current allowing 50% overload for 1 minute every 5 minutes * Continuous rms output current allowing 40% overload for 1 minute every 5 minutes ** Continuous rms output current allowing 25% overload for 1 minute every 5 minutes

aR fuses (frames R1 to R9)

Changed and added: For frames R7 to R9 ABB recommends ultra-rapid (aR) fuses.

Ultraprapid (aR) fuses (one fuse per phase)								
Drive type ACS880 -01-	Min. short-circuit current ¹⁾ (A)	Input current (A)	Fuse					
			A	A ² s	V	Manufacturer	Type	Type IEC 60269
$U_N = 230\text{ V}$								
04A6-2	30	4.6	16	48	690	Bussmann	170M1559	000
06A6-2	30	6.6	16	48	690	Bussmann	170M1559	000
07A5-2	30	7.5	16	48	690	Bussmann	170M1559	000
10A6-2	53	10.6	20	78	690	Bussmann	170M1560	000
16A8-2	65	16.8	25	130	690	Bussmann	170M1561	000
24A3-2	120	24.3	40	460	690	Bussmann	170M1563	000
031A-2	160	31.0	63	1450	690	Bussmann	170M1565	000
046A-2	280	46	80	2550	690	Bussmann	170M1566	000
061A-2	300	61	125	8500	690	Bussmann	170M1568	000
075A-2	380	75	200	15000	690	Bussmann	170M3815	1
087A-2	500	87	250	28500	690	Bussmann	170M3816	1
115A-2	700	115	315	46500	690	Bussmann	170M3817	1
145A-2	1000	145	315	46500	690	Bussmann	170M3817	1
170A-2	1280	170	450	105000	690	Bussmann	170M5809	2
206A-2	1450	206	500	155000	690	Bussmann	170M5810	2
274A-2	2050	274	630	220000	690	Bussmann	170M5810	3
$U_N = 400\text{ V}$								
02A4-3	65	2.4	25	130	690	Bussmann	170M1561	000
03A3-3	65	3.3	25	130	690	Bussmann	170M1561	000
04A0-3	65	4.0	25	130	690	Bussmann	170M1561	000
05A6-3	65	5.6	25	130	690	Bussmann	170M1561	000
07A2-3	65	8.0	25	130	690	Bussmann	170M1561	000
09A4-3	65	10.0	25	130	690	Bussmann	170M1561	000
12A6-3	65	12.9	25	130	690	Bussmann	170M1561	000
017A-3	120	17	40	460	690	Bussmann	170M1563	000
025A-3	120	25	40	460	690	Bussmann	170M1563	000
032A-3	170	32	63	1450	690	Bussmann	170M1565	000
038A-3	170	38	63	1450	690	Bussmann	170M1565	000
045A-3	280	45	80	2550	690	Bussmann	170M1566	000
061A-3	380	61	100	4650	690	Bussmann	170M1567	000
072A-3	480	72	125	8500	690	Bussmann	170M1568	000
087A-3	480	87	160	16000	690	Bussmann	170M1569	000
105A-3	1280	105	315	46500	690	Bussmann	170M3817	1

Ultrarapid (aR) fuses (one fuse per phase)								
Drive type ACS880 -01-	Min. short-circuit current ¹⁾ (A)	Input current (A)	Fuse					
			A	A ² s	V	Manufacturer	Type	Type IEC 60269
145A-3	1280	145	315	46500	690	Bussmann	170M3817	1
169A-3	1800	169	450	105000	690	Bussmann	170M5809	2
206A-3	2210	206	500	145000	690	Bussmann	170M5810	2
246A-3	3010	246	630	275000	690	Bussmann	170M5812	2
293A-3	4000	293	800	490000	690	Bussmann	170M6812D	3
363A-3	5550	363	1000	985000	690	Bussmann	170M6814D	3
430A-3	7800	430	1250	2150000	690	Bussmann	170M8554D	3
442A-3	7800	442	1250	2150000	690	Bussmann	170M8554D	3
$U_N = 500\text{ V}$								
02A1-5	65	2.1	25	130	690	Bussmann	170M1561	000
03A0-5	65	3.0	25	130	690	Bussmann	170M1561	000
03A4-5	65	3.4	25	130	690	Bussmann	170M1561	000
04A8-5	65	4.8	25	130	690	Bussmann	170M1561	000
05A2-5	65	5.2	25	130	690	Bussmann	170M1561	000
07A6-5	65	7.6	25	130	690	Bussmann	170M1561	000
11A0-5	65	11.0	25	130	690	Bussmann	170M1561	000
014A-5	120	14	40	460	690	Bussmann	170M1563	000
021A-5	120	21	40	460	690	Bussmann	170M1563	000
027A-5	170	27	63	1450	690	Bussmann	170M1565	000
034A-5	170	34	63	1450	690	Bussmann	170M1565	000
040A-5	280	40	80	2550	690	Bussmann	170M1566	000
052A-5	300	52	100	4650	690	Bussmann	170M1567	000
065A-5	480	65	125	8500	690	Bussmann	170M1568	000
077A-5	480	77	160	16000	690	Bussmann	170M1569	000
096A-5	1000	96	250	28500	690	Bussmann	170M3816	1
124A-5	1280	124	315	46500	690	Bussmann	170M3817	1
156A-5	1610	156	400	74000	690	Bussmann	170M5808	2
180A-5	2210	180	500	155000	690	Bussmann	170M5810	2
240A-5	2620	240	550	190000	690	Bussmann	170M5811	2
260A-5	4000	260	800	490000	690	Bussmann	170M6812D	3
361A-5	5550	361	1000	985000	690	Bussmann	170M6814D	3
414A-5	7800	414	1250	2150000	690	Bussmann	170M8554D	3
441A-5	7800	441	1250	2150000	690	Bussmann	170M8554D	3
$U_N = 690\text{ V}$								
07A3-7	40	7.3	16	48	690	Bussmann	170M1559	000
09A8-7	53	9.8	20	78	690	Bussmann	170M1560	000
14A2-7	94	14.2	32	270	690	Bussmann	170M1562	000

Ultrarapid (aR) fuses (one fuse per phase)								
Drive type ACS880 -01-	Min. short-circuit current ¹⁾ (A)	Input current (A)	Fuse					
			A	A ² s	V	Manufacturer	Type	Type IEC 60269
018A-7	120	18	40	460	690	Bussmann	170M1563	000
022A-7	160	22	50	770	690	Bussmann	170M1564	000
026A-7	160	26	50	770	690	Bussmann	170M1564	000
035A-7	170	35	63	1450	690	Bussmann	170M1565	000
042A-7	280	42	80	2550	690	Bussmann	170M1566	000
049A-7	280	49	80	2550	690	Bussmann	170M1566	000
061A-7	480	61	125	8500	690	Bussmann	170M1568	000
084A-7	700	84	160	16000	690	Bussmann	170M1569	000
098A-7	1610	98	400	74000	690	Bussmann	170M3816	2
119A-7	1610	119	400	74000	690	Bussmann	170M3816	2
142A-7	2210	142	500	145000	690	Bussmann	170M5810	2
174A-7	2210	174	500	145000	690	Bussmann	170M5810	2
210A-7	3200	210	700	320000	690	Bussmann	170M6811D	3
271A-7	3200	271	700	320000	690	Bussmann	170M6811D	3

¹⁾ minimum short-circuit current of the installation

gG fuses (frames R1 to R9)

Added:

gG fuses (one fuse per phase)								
Drive type ACS880- 01...	Min. short-circuit current ¹⁾ (A)	Input current (A)	Fuse					
			A	A ² s	V	Manufacturer	Type	IEC size
$U_N = 400$ V								
442A-3	10200	442	630	2800000	500	ABB	OF3H630	3
$U_N = 500$ V								
441A-5	10200	441	630	2800000	500	ABB	OF3H630	3

¹⁾ minimum short-circuit current of the installation

Quick guide for selecting between gG and aR fuses

Added:

Drive type ACS880-01...	Cable type		Supply transformer minimum apparent power S_N (kVA)					
	Copper	Aluminium	Maximum cable length with gG fuses			Maximum cable length with aR fuses		
	mm ²	mm ²	10 m	50 m	100 m	10 m	100 m	200 m
$U_N = 400\text{ V}$								
442A-3	2×(3×150)	2×(3×240)	499	547	641	174	186	205
$U_N = 500\text{ V}$								
441A-5	2×(3×150)	2×(3×240)	621	666	747	217	229	246

Fuses (UL)

Added:

Drive type ACS880-01...	Input current A	Fuse (one fuse per phase)				
		A	V	Manufacturer	Type	UL class
$U_N = 460\text{ V}$						
441A-5	441	600	600	Bussmann	JJS-600	T

Dimensions, weights and free space requirements

Changed and added:

Frame	IP21					UL type 1				
	H1 mm	H2 mm	W mm	D mm	Weight kg	H1 in.	H2 in.	W in.	D in.	Weight lb
R1	409	370	155	226	7.0	16.11	14.57	6.10	8.89	15
R2	409	370	155	249	8.4	16.11	14.57	6.10	9.80	19
R3	475	420	172	261	10.8	18.71	16.54	6.77	10.28	24
R4	576	490	203	274	18.6	22.70	19.30	7.99	10.80	41
R5	730	596	203	274	22.8	28.74	23.46	7.99	10.79	50
R6	726	569	251	357	42.2	28.60	22.40	9.92	14.09	93
R7	880	600	284	365	53.0	34.70	23.60	11.22	14.37	117
R8	963	681	300	386	68.0	37.90	26.82	11.81	15.21	150
R9	955	680	380	413	95.0	37.59	26.77	14.96	16.27	209
Frame	IP55					UL type 12				
	H1 mm	H2 mm	W mm	D mm	Weight kg	H1 * in.	H3 in.	W ** in.	D in.	Weight lb
R1	450	-	162	292	8.1	17.72	-	6.38	11.50	18
R2	450	-	161	315	9.5	17.72	-	6.38	12.40	21

Frame	IP21					UL type 1				
	H1 mm	H2 mm	W mm	D mm	Weight kg	H1 in.	H2 in.	W in.	D in.	Weight lb
R3	525	-	180	327	12.0	20.70	-	7.09	12.87	26
R4	576	-	203	344	19.1	22.70	-	7.99	13.54	42
R5	730	-	203	344	23.4	28.73	-	7.99	13.54	52
R6	726	-	252	421	42.9	28.60	-	9.92	16.46	95
R7	880	-	284	423	54.0	34.66	-	11.18	16.65	119
R8	963	-	300	452	74.0	37.90	-	11.81	17.78	163
R9	955	-	380	477	102.0	37.59	-	14.96	18.78	225

H1 Height with cable entry box.

H2 Height without cable entry box (option +P940)

H3 Height with hood

W Width with cable entry box

D Depth with cable entry box

* Hood increases height with 155 mm (6.10 in) in frames R4 to R8 and with 230 mm (9.06 in) in frame R9.

** Hood increases width with 23 mm (0.91 in) in frames R4 and R5, 40 mm (1.57 in) in frames R6 and R7 and 50 mm (1.97 in) in frames R8 and R9.

Note 1: For more information on dimensions, see chapter *Dimension drawings*.

Note 2: For dimensions and weights of option +P940 and +P944, see *ACS880-01 +P940/+P944 drives for cabinet installation supplement* (3AUA0000145446 [English]).

Note 3: For dimensions of option +C135, see *Flange mounting kit installation supplement* (3AXD50000019100 [English]). For the additional weight of the flange mounting kit, see the table below.

Frame	Weight of flange mounting kit (option +C135)	
	kg	lb
R1	2.9	6
R2	3.1	7
R3	4.5	10
R4	4.7	10
R5	4.7	10
R6	4.5	10
R7	5	11
R8	6	13
R9	7	15

Losses, cooling data and noise

Added:

Drive type ACS880-01-	Frame	Air flow		Heat dissipation	Noise
		m ³ /h	ft ³ /min	W	dB(A)
U_N = 400 V					
442A-3	R9	1150	677	6000	68
U_N = 500 V					
441A-5	R9	1150	677	6000	68

Cooling air flow and heat dissipation for flange mounting (option +C135)

Added:

Drive type ACS880-01-	Frame	Air flow (option +C135)		Heat dissipation (option +C135)	
		Heatsink	Front	Heatsink	Front
		m ³ /h	m ³ /h	W	W
U_N = 400 V					
442A-3	R9	1150	170	5355	645
U_N = 500 V					
441A-5	R9	1150	170	5355	645

Electrical power network specification

Changed:

Rated conditional short-circuit current (IEC 61800-5-1) 65 kA when protected by fuses given in the fuse tables

Frequency 50/60 Hz, variation $\pm 5\%$, maximum rate of change 17%/s

Motor connection data

Changed:

Frequency 0...598 Hz

Control unit (ZCU-12) connection data

Changed and added:

Safe torque off connection (XSTO)

Current consumption of frames R1 to R7: 30 mA
(24 V DC, continuous) per STO channel

Current consumption of frames R8 and R9: 12 mA
(24 V DC, continuous) per STO channel

Maximum output current from OUT1: 100 mA
(24 V DC, continuous)

Safety data (SIL, PL)

Changed and added:

Frame size	SIL/SIL CL	SC	PL	SFF (%)	PFH ($T_1 = 20$ a) (1/h)	PFD _{avg} ($T_1 = 2$ a)	PFD _{avg} ($T_1 = 5$ a)	MTTF _D (a)	DC (%)	Cat.	HFT	CCF	Life-time (a)
$U_N = 230$ V													
R1	3	3	e	>99	2.84E-09	2.37E-05	5.91E-05	10530	≥90	3	1	80	20
R2	3	3	e	>99	2.84E-09	2.37E-05	5.91E-05	10529	≥90	3	1	80	20
R3	3	3	e	>99	2.84E-09	2.37E-05	5.91E-05	10489	≥90	3	1	80	20
R4	3	3	e	>99	2.89E-09	2.41E-05	6.02E-05	10442	≥90	3	1	80	20
R5	3	3	e	>99	2.89E-09	2.41E-05	6.02E-05	10240	≥90	3	1	80	20
R6	3	3	e	>99	2.89E-09	2.41E-05	6.02E-05	10340	≥90	3	1	80	20
R7	3	3	e	>99	2.89E-09	2.41E-05	6.02E-05	10340	≥90	3	1	80	20
R8	3	3	e	>99	2.89E-09	2.41E-05	6.02E-05	10340	≥90	3	1	80	20
$U_N = 400$ V, $U_N = 500$ V													
R1	3	3	e	>99	2.84E-09	2.37E-05	5.91E-05	10530	≥90	3	1	80	20
R2	3	3	e	>99	2.84E-09	2.37E-05	5.91E-05	10529	≥90	3	1	80	20
R3	3	3	e	>99	2.84E-09	2.37E-05	5.91E-05	10489	≥90	3	1	80	20
R4	3	3	e	>99	2.89E-09	2.41E-05	6.02E-05	10442	≥90	3	1	80	20
R5	3	3	e	>99	2.89E-09	2.41E-05	6.02E-05	10240	≥90	3	1	80	20
R6	3	3	e	>99	2.89E-09	2.41E-05	6.02E-05	10340	≥90	3	1	80	20
R7	3	3	e	>99	2.89E-09	2.41E-05	6.02E-05	10340	≥90	3	1	80	20
R8	3	3	e	99.1	3.20E-09	2.66E-05	6.65E-05	10333	≥90	3	1	80	20
R9	3	3	e	99.1	3.20E-09	2.66E-05	6.65E-05	10333	≥90	3	1	80	20
$U_N = 690$ V													
R5	3	3	e	98.5	3.23E-09	2.67E-05	6.68E-05	5823	≥90	3	1	80	20
R6...R9	3	3	e	99.1	4.46E-10	2.66E-05	6.65E-05	10333	≥90	3	1	80	20

3AXD1000006217

3AXD10000083197

■ Abbreviations

Abbr.	Reference	Description
PFD _{avg}	IEC 61508	Average probability of dangerous failure on demand
PFH	IEC 61508	Average frequency of dangerous failures per hour

Resistor braking / Ratings

Added:

Drive type	Internal brake chopper		Example brake resistor(s)			
	P_{brcont}	R_{min}	Type	R	E_R	P_{Rcont}
	kW	ohm		ohm	kJ	kW
$U_N = 400\text{ V}$						
ACS880-01-442A-3	200	2.0	SAFUR200F500	2.7	5400	13.5
$U_N = 500\text{ V}$						
ACS880-01-441A-5	200	2.3	SAFUR200F500	2.7	5400	13.5

Degree of protection and thermal constant of the resistors

Changed:

Resistor type	Degree of protection	Thermal constant (s)
JBR-03	IP20	
SACE	IP21	200
SAFUR	IP00	555

du/dt filter types

Changed:

Drive type	du/dt filter type	Drive type	du/dt filter type	Drive type	du/dt filter type
ACS880-01-		ACS880-01-		ACS880-01-	
$U_N = 400\text{ V}$		$U_N = 500\text{ V}$		$U_N = 690\text{ V}$	
02A4-3	NOCH0016-6X	02A1-5	NOCH0016-6X	07A3-7	NOCH0016-6X
03A3-3	NOCH0016-6X	03A0-5	NOCH0016-6X	09A8-7	NOCH0016-6X
04A0-3	NOCH0016-6X	03A4-5	NOCH0016-6X	14A2-7	NOCH0016-6X
05A6-3	NOCH0016-6X	04A8-5	NOCH0016-6X	018A-7	NOCH0030-6X
07A2-3	NOCH0016-6X	05A2-5	NOCH0016-6X	022A-7	NOCH0030-6X
09A4-3	NOCH0016-6X	07A6-5	NOCH0016-6X	026A-7	NOCH0030-6X
12A6-3	NOCH0016-6X	11A0-5	NOCH0016-6X	035A-7	NOCH0070-6X
017A-3	NOCH0030-6X	014A-5	NOCH0030-6X	042A-7	NOCH0070-6X
025A-3	NOCH0030-6X	021A-5	NOCH0030-6X	049A-7	NOCH0070-6X
032A-3	NOCH0070-6X	027A-5	NOCH0070-6X	061A-7	NOCH0120-6X

Drive type ACS880-01-	du/dt filter type	Drive type ACS880-01-	du/dt filter type	Drive type ACS880-01-	du/dt filter type
038A-3	NOCH0070-6X	034A-5	NOCH0070-6X	084A-7	NOCH0120-6X
045A-3	NOCH0070-6X	040A-5	NOCH0070-6X	098A-7	NOCH0120-6X
061A-3	NOCH0070-6X	052A-5	NOCH0070-6X	119A-7	FOCH0260-7X
072A-3	NOCH0120-6X	065A-5	NOCH0120-6X	142A-7	FOCH0260-7X
087A-3	NOCH0120-6X	077A-5	NOCH0120-6X	174A-7	FOCH0260-7X
105A-3	NOCH0120-6X	096A-5	NOCH0120-6X	210A-7	FOCH0260-7X
145A-3	FOCH0260-7X	124A-5	FOCH0260-7X	271A-7	FOCH0260-7X
169A-3	FOCH0260-7X	156A-5	FOCH0260-7X	-	-
206A-3	FOCH0260-7X	180A-5	FOCH0260-7X	-	-
246A-3	FOCH0260-7X	240A-5	FOCH0260-7X	-	-
293A-3	FOCH0260-7X	260A-5	FOCH0260-7X	-	-
363A-3	FOCH0320-5X	302A-5	FOCH0320-5X	-	-
430A-3	FOCH0320-5X	361A-5	FOCH0320-5X	-	-
-	-	414A-5	FOCH0320-5X	-	-

3AXD00000588487

Selecting a sine filter for a drive

Changed and added: Check housing of sine filters from the manufacturer.

Drive type ACS880-01-...	Sine filter type	$I_{\text{cont. max}}$ A	$P_{\text{cont. max}}$ kW	Heat dissipation			Noise dB(A)
				Drive W	Filter W	Total W	
				$U_N = 400 \text{ V}$			
02A4-3	B84143V0004R229*	2.3	1.7	30	60	90	72
03A3-3	B84143V0004R229*	3.1	2.3	40	60	100	72
04A0-3	B84143V0004R229*	3.8	2.9	52	60	112	72
05A6-3	B84143V0006R229*	5.3	4.0	73	100	173	72
07A2-3	B84143V0011R229*	7.2	5.4	94	90	184	72
09A4-3	B84143V0011R229*	9.2	6.9	122	90	212	72
12A6-3	B84143V0016R229*	12.1	9.1	172	80	252	72
017A-3	B84143V0025R229*	16	12.1	232	140	372	75
025A-3	B84143V0025R229*	24	17.7	337	140	477	75
032A-3	B84143V0033R229*	31	23.4	457	160	617	75
038A-3	B84143V0050R229*	37	27.5	562	220	782	78
045A-3	B84143V0050R229*	43	32.4	667	220	887	78
061A-3	B84143V0066R229*	58	43.7	907	250	1157	78
072A-3	B84143V0075R229*	64	48.2	1117	310	1427	79

Drive type ACS880-01-...	Sine filter type	$I_{\text{cont. max}}$	$P_{\text{cont. max}}$	Heat dissipation			Noise
				Drive	Filter	Total	
		A	kW	W	W	W	dB(A)
087A-3	B84143V0095R229*	77	58.0	1120	400	1520	79
105A-3	B84143V0130R230**	91	68.6	1295	600	1895	80
145A-3	B84143V0162S229**	126	94.6	1440	550	1990	80
169A-3	B84143V0162S229**	153	115.0	1940	550	2490	80
206A-3	B84143V0230S229**	187	140.6	2310	900	3210	80
246A-3	B84143V0230S229**	209	157.6	3300	900	4200	80
293A-3	B84143V0390S229**	249	187.8	3900	1570	5470	80
363A-3	B84143V0390S229**	297	223.6	4800	1570	6370	80
430A-3	B84143V0390S229**	352	265.2	6000	1570	7570	80
442A-3	B84143V0390S229**	352	265.2	6000	1570	7570	80
$U_N = 500 \text{ V}$							
02A1-5	B84143V0004R229*	1.9	1.4	30	60	90	72
03A0-5	B84143V0004R229*	2.8	2.1	40	60	100	72
03A4-5	B84143V0004R229*	3.1	2.3	52	60	112	72
04A8-5	B84143V0006R229*	4.4	3.3	73	100	173	72
05A2-5	B84143V0006R229*	4.8	3.6	94	100	194	72
07A6-5	B84143V0011R229*	7.0	5.3	122	90	212	72
11A0-5	B84143V0011R229*	10.2	7.7	172	90	262	72
014A-5	B84143V0016R229*	13	9.8	232	80	312	70
021A-5	B84143V0025R229*	20	14.7	337	140	477	75
027A-5	B84143V0033R229*	25	18.8	457	160	617	75
034A-5	B84143V0050R229*	32	23.7	562	220	782	78
040A-5	B84143V0050R229*	35	26.0	667	220	887	78
052A-5	B84143V0066R229*	44	33.2	907	250	1157	78
065A-5	B84143V0066R229*	52	39.2	1117	250	1367	78
077A-5	B84143V0075R229*	61	46.0	1120	310	1430	78
096A-5	B84143V0130S230**	80	60.6	1295	*630	1925	80
124A-5	B84143V0130S230**	104	78.7	1440	630	2070	80
156A-5	B84143V0162S229**	140	105.8	1940	550	2490	80
180A-5	B84143V0162S229**	161	121.3	2310	550	2860	80
240A-5	B84143V0230S229**	205	154.3	3300	900	4200	80
260A-5	B84143V0230S229**	221	166.7	3900	900	4800	80
361A-5	B84143V0390S229**	289	217.9	4800	1570	6370	80

Drive type ACS880-01-...	Sine filter type	$I_{\text{cont. max}}$	$P_{\text{cont. max}}$	Heat dissipation			Noise dB(A)
				Drive	Filter	Total	
		A	kW	W	W	W	
414A-5	B84143V0390S229**	332	250.1	6000	1570	7570	80
441A-5	B84143V0390S229**	332	250.1	6000	1570	7570	80
$U_N = 690 \text{ V}$							
07A3-7	B84143V0010R230*	7.3	5.5	217	90	307	72
09A8-7	B84143V0010R230*	9.3	7.0	284	90	374	72
14A2-7	B84143V0018R230*	13.5	10.2	399	130	529	72
018A-7	B84143V0018R230*	17.1	12.9	490	130	620	72
022A-7	B84143V0026R230*	21	15.7	578	160	738	72
026A-7	B84143V0026R230*	25	18.6	660	160	820	72
035A-7	B84143V0040R230*	33	25.1	864	250	1114	75
042A-7	B84143V0040R230*	40	30.1	998	250	1248	75
049A-7	B84143V0056R230**	48	36.2	1120	290	1410	78
061A-7	B84143V0056R230**	56	42.5	1295	290	1585	78
084A-7	B84143V0092R230**	78	58.6	1440	610	2050	79
098A-7	B84143V0092R230**	92	69.3	1940	610	2550	79
119A-7	B84143V0130S230**	112	84.2	2310	630	2940	80
142A-7	B84143V0130S230**	112	84.7	3300	630	3930	80
174A-7	B84143V0207S230**	138	103.7	3900	930	4830	80
210A-7	B84143V0207S230**	161	121.3	4200	930	5130	80
271A-7	B84143V0207S230**	208	156.4	4800	930	5730	80
* minimum switching frequency 3.0 kHz							
** minimum switching frequency 2.4 kHz							

3AXD00000588487

Definitions

$P_{\text{cont. max}}$	Maximum continuous output power of the drive
$I_{\text{cont. max}}$	Maximum continuous output current of the drive
Noise	Noise level of the sine filters

Содержание

Перечень сопутствующих руководств	2
---	---

1. Инструкция по технике безопасности

Обзор содержания главы	13
Предупреждения	13
Техника безопасности при монтаже и техническом обслуживании	14
Электробезопасность	14
Заземление	15
Приводы двигателей с постоянными магнитами	16
Общие правила техники безопасности	17
Печатные платы	18
Безопасный запуск и эксплуатация	18
Общие правила техники безопасности	18
Приводы двигателей с постоянными магнитами	19



2. Предисловие к руководству

Обзор содержания главы	21
На кого рассчитано руководство	21
Содержание настоящего руководства	21
Сопутствующие руководства	22
Классификация по типоразмеру и коду опций	22
Общая блок-схема по монтажу, запуску и эксплуатации	23
Термины и сокращения	24

3. Описание принципа действия и оборудования

Обзор содержания главы	25
Краткое описание привода	25
Основная схема	26
Компоновка (IP21, UL тип 1)	27
Компоновка (IP55, дополнительный компонент +B056)	28
Компоновка (UL тип 12, дополнительный компонент +B056)	29
Компоновка (IP20 — открытого типа по стандарту UL, дополнительные компоненты +P940 и +P944)	29
Разъемы питания и управления	30
Клеммы для подключения сигналов внешнего управления	31
Панель управления	32
Крышка платы для монтажа панели управления	32
Комплект для монтажа панели управления на дверце	32
Табличка с обозначением типа	33
Код обозначения типа	33

4. Механический монтаж

Обзор содержания главы	37
------------------------------	----

Техника безопасности	37
Осмотр места установки	38
Необходимые инструменты	39
Перемещение привода	39
Распаковка и проверка комплектности (типоразмеры R1...R5)	40
Коробка ввода кабелей, типоразмер R5 (IP21, UL тип 1)	42
Распаковка и проверка комплектности (типоразмеры R6...R9)	43
Коробка ввода кабелей, типоразмер R6 (IP21, UL тип 1)	45
Коробка ввода кабелей, типоразмер R7 (IP21, UL тип 1)	46
Коробка ввода кабелей, типоразмер R8 (IP21, UL тип 1)	47
Коробка ввода кабелей, типоразмер R9 (IP21, UL тип 1)	48
Монтаж привода	49
Монтаж виброгасителей (дополнительный компонент +C131)	49
Типоразмеры R1...R4 (IP21, UL тип 1)	50
Типоразмеры R5...R9 (IP21, UL тип 1)	51
Типоразмер R1...R9 (IP55, UL тип 12)	53
Монтаж на фланцах	55
Монтаж в шкафу	55
Охлаждение	55
Заземление внутри шкафа	56
Монтаж приводов друг над другом	56



5. Планирование электрического монтажа

Обзор содержания главы	57
Ограничение ответственности	57
Выбор устройства отключения электропитания	57
Европейский союз	58
Другие регионы	58
Выбор типа и параметров главного контактора	58
Проверка совместимости двигателя и привода	58
Защита изоляции и подшипников двигателя	59
Таблица технических требований	59
Дополнительные требования к двигателям ABB всех типов, кроме M2_, M3_, M4_, HX_ и AM_	62
Дополнительные требования к двигателям ABB повышенной мощности и класса защиты IP23	63
Дополнительные требования к двигателям повышенной мощности и класса защиты IP23 других изготовителей (не ABB)	64
Дополнительные данные для расчета времени нарастания и пикового междупазного напряжения	65
Дополнительное замечание по синусным фильтрам	67
Выбор силовых кабелей	67
Общие правила	67
Типовые сечения силовых кабелей	68
Рекомендуемые типы силовых кабелей	71
Рекомендуемые типы силовых кабелей	71
Типы силовых кабелей ограниченного применения	71
Типы силовых кабелей, запрещенные для применения	72
Экран кабеля двигателя	72
Дополнительные требования для США	72

Кабелепровод	73
Бронированный кабель / экранированный силовой кабель	73
Выбор кабелей управления	73
Экранирование	73
Сигналы в отдельных кабелях	74
Сигналы, которые разрешается передавать в одном кабеле	74
Тип кабеля для реле	74
Длина и тип кабелей для панели управления	74
Прокладка кабелей	74
Отдельные кабелепроводы кабелей управления	75
Непрерывный экран для кабеля двигателя и оборудования, подключаемого к кабелю двигателя	76
Защита от перегрева и короткого замыкания	76
Защита привода и входного кабеля питания от короткого замыкания	76
Автоматические выключатели	76
Защита двигателя и его кабеля от короткого замыкания	79
Защита привода, входного кабеля и кабеля двигателя от перегрева	79
Защита двигателя от перегрева	80
Защита привода от замыканий на землю	80
Совместимость с устройствами контроля токов нулевой последовательности	80
Подключение приводов к общей системе постоянного тока	81
Функция аварийного останова	81
Функция безопасного отключения крутящего момента	81
Реализация функций защиты с модулем FSO	81
Декларация соответствия	82
Сертифицированная АТЕХ функция безопасного отключения двигателя (доп. устройство +Q971)	82
Функция подхвата двигателя при потере питания	82
Использование конденсаторов компенсации коэффициента мощности	82
Контактор между приводом и двигателем	83
Байпасное подключение	84
Пример байпасного подключения	85
Переключение питания двигателя от привода на питание непосредственно от сети	86
Переключение источника питания двигателя с сети на привод	86
Защита контактов на релейных выходах	86
Подключение датчика температуры двигателя к плате ввода/вывода привода	88



6. Электрический монтаж

Обзор содержания главы	89
Предупреждения	89
Проверка изоляции системы	89
Привод	89
Входной кабель питания	89
Двигатель и кабель двигателя	90
Блок тормозных резисторов	90
Проверка совместимости с системами ИТ (незаземленные сети)	91
Подключение силовых кабелей	92
Схема подключения	92
Порядок подключения для типоразмеров R1...R3	93

Порядок подключения для типоразмеров R4 и R5	96
Порядок подключения для типоразмеров R6...R9	101
Заземление экрана кабеля двигателя на стороне двигателя	108
Подключение постоянного тока	108
Подключение кабелей управления	108
Стандартная схема подключения входов/выходов	109
Примечания:	110
Переключки и переключатели	110
Внешний источник питания для блока управления (XPOW)	111
AI1 и AI2 в качестве входов (XAI, XAO) датчиков Pt100, Pt1000, PTC и КТУ84	111
Линия связи привод-привод (XD2D)	112
Вход DIIL (XD24:1)	112
DI6 (XDI:6) в качестве входа датчика PTC	113
Безопасное отключение крутящего момента (XSTO)	113
Подключение модуля функций защиты (X12)	113
Порядок подключения кабелей управления	114
Подключение ПК	116
Управление несколькими приводами через шину панели	117
Установка дополнительных модулей	119
Механический монтаж модуля расширения входов/выходов, интерфейсных модулей Fieldbus и импульсного энкодера	119
Подключение модуля расширения входов/выходов, интерфейсных модулей Fieldbus и импульсного энкодера	120
Монтаж модулей функций защиты	121
Процедура установки в гнездо 2	121
Монтаж рядом с блоком управления для приводов типоразмеров R7...R9	123

7. Карта проверок монтажа

Обзор содержания главы	125
Карта проверок	125

8. Запуск

Обзор содержания главы	127
Порядок запуска	127

9. Поиск и устранение неисправностей

Обзор содержания главы	129
Светодиоды	129
Предупреждения и сообщения об отказах	129

10. Техническое обслуживание

Обзор содержания главы	131
Интервалы технического обслуживания	131
Описание символов	132
Рекомендуемые действия ежегодного технического обслуживания, выполняемые пользователем	132
Рекомендуемые интервалы технического обслуживания после ввода в эксплуатацию	132

Радиатор	132
Вентиляторы	133
Замена основного вентилятора охлаждения, типоразмеры R1...R3	134
Замена вспомогательного вентилятора охлаждения, типоразмеры R1...R3 (IP55)	135
Замена главного вентилятора охлаждения, типоразмеры R4 и R5	136
Замена вспомогательного вентилятора охлаждения для типоразмера R4, типоразмера R5 с классом защиты IP55 и дополнительным компонентом +C135 и типоразмера R5 с классом защиты IP21 типа ACS880-01-xxxx-7	137
Замена основного вентилятора охлаждения, типоразмеры R6...R8	138
Замена вспомогательного вентилятора охлаждения, типоразмеры R6...R9	139
Замена вспомогательного вентилятора охлаждения IP55 для типоразмеров R8 и R9	140
Замена основных вентиляторов охлаждения, типоразмер R9	142
Замена привода (IP21, UL тип 1, типоразмеры R1...R9)	143
Конденсаторы	144
Формовка конденсаторов	145
Блок памяти	145
Замена блока памяти	145
Замена батареи панели управления	146
Замена модулей функций защиты (FSO-12, дополнительный компонент +Q973)	146



11. Технические характеристики

Обзор содержания главы	147
Приводы, одобренные для морского применения, (дополнительный компонент +C132)	147
Номинальные характеристики	148
Определения	155
Снижение номинальных характеристик	156
Снижение из-за температуры окружающей среды	156
Приводы с классом защиты IP21 (UL тип 1) и другие типы приводов с классом защиты IP55 (UL тип 12), кроме приведенных в нижеследующих подпунктах	156
Приводов с классом защиты IP55 (UL Type 12) типов -274A-2, 293A-3, -260A-5, -302A-5 и -174A-7	156
Привод типа IP55 (UL тип 12) -240A-5	157
Приводы с классом защиты IP55 (UL Type 12) типов -363A-3 и -361A-5	158
Привод с классом защиты IP55 (UL тип 12) типа -210A-7	159
Приводы IP55 (UL тип 12) типы -0430A-3, -0414A-5 и -0271A-7	159
Снижение в зависимости от высоты над уровнем моря	159
Снижение характеристик для специальных настроек в программе управления приводом	160
Взрывобезопасный двигатель, синус-фильтр, пониженный шум	161
Режим высокой скорости	167
Предохранители (IEC)	170
Предохранители aR (типоразмеры R1...R9)	171
Предохранители gG (типоразмеры R1–R9)	174
Краткое руководство по выбору между предохранителями типа gG и предохранителями типа aR	177
Расчет тока короткого замыкания системы	180
Предохранители (UL)	181
Основные размеры, вес и требуемое свободное пространство	184

Требования к свободному пространству	185
Потери, данные контура охлаждения и шум	186
Расход охлаждающего воздуха и рассеиваемая мощность в случае фланцевого монтажа (дополнительный компонент +C135)	188
Данные клемм и вводов силовых кабелей	191
IEC	191
США	192
Кабельные наконечники и инструменты, аттестованные UL	193
Характеристики клемм для кабелей управления	193
Требования к электросети	194
Параметры подключения двигателя	194
Данные подключения блока управления (ZCU-12)	195
КПД	199
Классы защиты	199
Условия окружающей среды	199
Материалы	200
Маркировка CE	202
Применимые стандарты	202
Соответствие Европейской директиве по низковольтному оборудованию	203
Соответствие Европейской директиве по ЭМС	203
Соответствие Европейским правилам ограничения содержания вредных веществ	203
Соответствие Европейским указаниям по охране труда в машиностроении	203
Декларация соответствия	204
Соответствие стандарту EN 61800-3:2004	206
Определения	206
Категория C2	206
Категория C3	207
Категория C4	207
Маркировка UL	208
Контрольный перечень UL	208
Маркировка CSA	209
Маркировка «C-tick»	209
Маркировка EAC	209
Соответствие стандартам	210
Заявление об отказе от ответственности в области информационной безопасности	210
Ограничение ответственности	210

12. Габаритные чертежи

Обзор содержания главы	211
Типоразмер R1 (IP21 / UL, тип 1)	212
Типоразмер R1 (IP55 / UL, тип 12)	213
Типоразмер R2 (IP21 / UL, тип 1)	214
Типоразмер R2 (IP55 / UL, тип 12)	215
Типоразмер R3 (IP21 / UL, тип 1)	216
Типоразмер R3 (IP55 / UL, тип 12)	217
Типоразмер R4 (IP21 / UL, тип 1)	218
Типоразмер R4 (IP55, UL тип 12)	219
Типоразмер R5 (IP21 / UL, тип 1)	220
Типоразмер R5 (IP55, UL тип 12)	221

Типоразмер R6 (IP21 / UL, тип 1)	222
Типоразмер R6 (IP55, UL тип 12)	223
Типоразмер R7 (IP21 / UL, тип 1)	224
Типоразмер R7 (IP55, UL тип 12)	225
Типоразмер R8 (IP21 / UL, тип 1)	226
Типоразмер R8 (IP55, UL тип 12)	227
Типоразмер R9 (IP21 / UL, тип 1)	228
Типоразмер R9 (IP55, UL тип 12)	229

13. Функция безопасного отключения крутящего момента

Обзор содержания главы	231
Описание	231
Соответствие Европейским указаниям по охране труда в машиностроении	232
Электрический монтаж	233
Активизирующий выключатель	233
Типы и длина кабелей	233
Заземление защитных экранов кабелей	233
Одиночный привод (внутренний источник питания)	234
Несколько приводов (внутренний источник питания)	235
Несколько приводов (внешний источник питания)	236
Принцип действия	237
Запуск, включая приемочные испытания	237
Компетентность	237
Акты приемочных испытаний	237
Проведение приемочных испытаний	238
Назначение	239
Техническое обслуживание	240
Компетентность	241
Поиск и устранение неисправностей	241
Характеристики безопасности (SIL, PL)	241
Сокращения	244



14. Резистивное торможение

Обзор содержания главы	245
Описание принципа действия и оборудования	245
Планирование тормозной системы	245
Выбор компонентов системы торможения	245
Выбор резистора стороннего поставщика	246
Выбор и прокладка кабелей тормозных резисторов	247
Минимизация электромагнитных помех	247
Максимальная длина кабеля	247
Соответствие всей установки требованиям ЭМС	247
Установка тормозных резисторов	247
Защита системы от перегрева	248
Типоразмеры R1...R4	248
Типоразмеры R5...R9	249
Защита кабеля резистора от коротких замыканий	249
Механический монтаж	249
Электрический монтаж	249

Проверка изоляции конструкции	249
Схема подключения	249
Порядок подключения	249
Ввод в эксплуатацию	250
Технические характеристики	251
Номинальные характеристики	251
Класс защиты и тепловая постоянная резисторов	253
Характеристики клемм и кабельных вводов	253
Размеры и масса внешних резисторов	253
JBR-03	254
SACE08RE44	255
SACE15RE13 и SACE15RE22	256
SAFUR80F500 и SAFUR90F575	256
SAFUR125F500 и SAFUR200F500	257

15. Фильтры синфазных помех, du/dt и синус-фильтры

Обзор содержания главы	259
Фильтры синфазных помех	259
Когда требуется фильтр синфазных помех?	259
Фильтры du/dt	259
Когда требуется фильтр du/dt ?	259
Типы фильтров du/dt	260
Описание, монтаж и технические характеристики фильтров FOCH	260
Описание, монтаж и технические характеристики фильтров NOCH	260
Синус-фильтры	261
Выбор синус-фильтра для привода	261
Снижение номинальных характеристик	263
Описание, монтаж и технические данные	263

Дополнительная информация

Вопросы об изделиях и услугах	265
Обучение работе с изделием	265
Отзывы о руководствах по приводам ABB	265
Библиотека документов в сети Интернет	265

1

Инструкция по технике безопасности

Обзор содержания главы

Эта глава содержит указания по технике безопасности, которые необходимо соблюдать при монтаже, эксплуатации и обслуживании привода. Несоблюдение указаний может привести к травмам персонала или летальному исходу, а также к повреждению привода, двигателя и подсоединенного к нему оборудования. Прежде чем приступать к работе с приводом, внимательно изучите указания по технике безопасности.



Предупреждения

Предупреждения указывают на условия, которые могут привести к серьезным травмам или к смерти и/или к повреждению оборудования, и дают рекомендации, как избежать опасности. Для предупреждений в руководстве используются следующие символы:

	<p>Опасно, электричество — предупреждение об электрическом напряжении, воздействие которого может привести к физическим травмам и/или к повреждению оборудования.</p>
	<p>Общее предупреждение — опасность для персонала или оборудования, не связанная с электрическим напряжением, которая может привести к физическим травмам и/или к повреждению оборудования.</p>
	<p>Устройства, чувствительные к электростатическому полю — предупреждение об опасности повреждения оборудования вследствие разряда статического электричества.</p>

Техника безопасности при монтаже и техническом обслуживании

■ Электробезопасность

Эти предупреждения относятся к любым работам по обслуживанию привода, двигателя или кабеля двигателя.



ПРЕДУПРЕЖДЕНИЕ! Несоблюдение этих указаний может привести к травмам или смерти человека и стать причиной повреждения оборудования.

- К монтажу и техническому обслуживанию привода допускаются только квалифицированные электрики.
- Запрещается выполнять какие-либо работы по обслуживанию привода, двигателя или кабеля двигателя при включенном питании. После отключения сетевого напряжения подождите 5 минут, прежде чем начинать работу по обслуживанию привода, двигателя или кабеля двигателя. Это время необходимо для разряда конденсаторов промежуточной цепи постоянного тока привода.

Обязательно убедитесь с помощью мультиметра (входное сопротивление не менее 1 МОм) в том, что:

- напряжение между входными фазными линиями привода L1, L2 и L3 и корпусом близко к 0 В;
- напряжение между клеммами UDC+, UDC- и корпусом близко к 0 В.
- Запрещается выполнять какие-либо работы с кабелями управления при включенном питании привода или внешних цепей управления. Опасное напряжение может быть подано на привод через цепи внешнего управления (даже при отключенном напряжении питания привода).
- Запрещается выполнять какие-либо проверки сопротивления и электрической прочности изоляции привода.
- Запрещается подавать на привод напряжение выше указываемого на табличке с обозначением типа. Более высокое напряжение может привести в действие тормозной прерыватель и вызвать перегрузку тормозного резистора или активизировать контроллер повышенного напряжения, что способно вызвать скачкообразный переход двигателя на максимальную скорость.

Примечание

- После включения напряжения питания клеммы привода, к которым подключается кабель двигателя, находятся под опасным напряжением независимо от того, вращается двигатель или нет.

- Если клеммы постоянного тока (UDC+, UDC-) подключены внутри к промежуточной цепи постоянного тока, они находятся под опасным напряжением (свыше 500 В=).
- На зажимах релейных выходов (XRO1, XRO2 и XRO3) может присутствовать опасное напряжение (115, 220 или 230 В), зависящее от схемы внешнего подключения.
- Функция безопасного отключения крутящего момента не снимает напряжение с основных и вспомогательных цепей. От преднамеренного саботажа и небрежного обращения эта функция не защищает.

Заземление

Приведенные ниже указания предназначены для персонала, ответственного за заземление привода.



ПРЕДУПРЕЖДЕНИЕ! Несоблюдение нижеследующих указаний может стать причиной травм и даже смерти, привести к увеличению электромагнитных помех и нарушению нормального функционирования оборудования.

- Для надежного обеспечения безопасности персонала и снижения уровня излучаемых электромагнитных помех следует заземлить привод, двигатель и подсоединенное к ним оборудование.
- Проводники заземления должны иметь достаточное сечение в соответствии с требованиями нормативов по технике безопасности.
- При использовании нескольких приводов каждый из них необходимо подсоединить отдельным проводом к шине защитного заземления (PE).
- В установках, где требуется обеспечить минимальный уровень электромагнитного излучения, производится 360-градусное высокочастотное заземление кабельных вводов, чтобы подавить электромагнитные помехи. Кроме того, в соответствии с требованиями техники безопасности экраны кабелей должны быть подключены к защитному заземлению (PE).
- Запрещается подключать приводы с дополнительным ЭМС-фильтром +E200 или +E202 к незаземленной электросети или электросети с высокоомным заземлением (более 30 Ом). См. стр. 91.



Примечание

- Экраны силовых кабелей можно использовать в качестве заземляющих проводников оборудования только в том случае, если они имеют достаточное сечение, соответствующее требованиям техники безопасности.

- Поскольку нормальный ток прикосновения превышает 3,5 мА~ или 10 мА=, стандарт EN 61800-5-1 (раздел 4.3.5.5.2.) предписывает наличие постоянного защитного заземления с

- поперечное сечение медного проводника защитного заземления должно быть не менее 10 мм², а алюминиевого – не менее 16 мм²

или наличие механизма

- автоматического отключения питания в случае разрыва проводника защитного заземления,

или

- наличие второго проводника защитного заземления того же сечения, что и основной проводник защитного заземления.

Приводы двигателей с постоянными магнитами

Ниже приведены дополнительные предупреждения, относящиеся к приводам двигателей с постоянными магнитами.



ПРЕДУПРЕЖДЕНИЕ! Несоблюдение этих указаний может привести к травмам и летальному исходу, а также может стать причиной повреждения оборудования.

- Запрещается выполнять какие-либо работы на приводе, когда двигатель с постоянными магнитами вращается. Даже если напряжение питания привода отключено и инвертор не работает, вращающийся двигатель с постоянными магнитами генерирует напряжение в промежуточной цепи привода; при этом и на клеммах подключения питания появляется опасное напряжение.

Перед выполнением работ по монтажу и техническому обслуживанию:

- Остановите двигатель.
- Убедитесь в отсутствии напряжения на силовых клеммах привода, как описано в п. 1 или 2 (или, по возможности, в обоих пунктах).
 1. Отсоедините двигатель от привода защитным выключателем или иным способом. Путем измерения убедитесь в отсутствии напряжения на входных и выходных клеммах привода (L1, L2, L3, T1/U, T2/V, T3/W, UDC+, UDC-).
 2. Убедитесь, что двигатель не может вращаться во время проведения работ. Примите меры к тому, чтобы никакая другая система, например гидравлический привод, не могла вращать двигатель непосредственно или через какую-либо механическую связь, такую как ремень, вал, трос и т. п. Проведите измерения, чтобы убедиться в отсутствии напряжения на входных и выходных клеммах привода (L1, L2, L3, T1/U, T2/V, T3/W, UDC+, UDC-). Временно заземлите выходные клеммы привода, соединив их между собой и с цепью защитного заземления (PE).

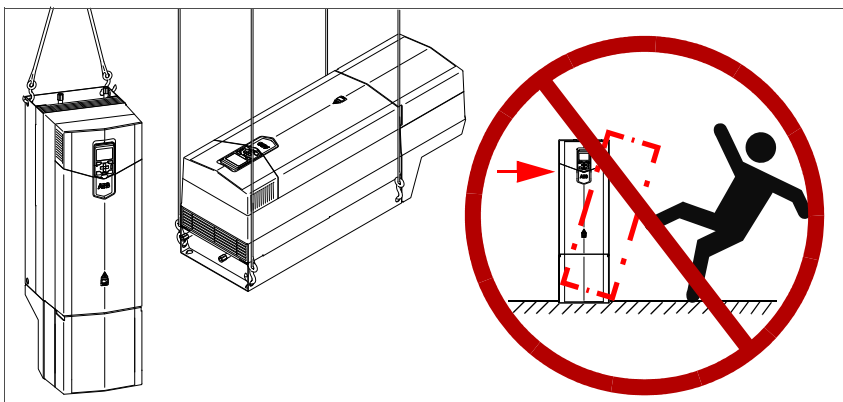
Общие правила техники безопасности

Эти инструкции адресованы всем специалистам, выполняющим работы по монтажу и техническому обслуживанию привода.



ПРЕДУПРЕЖДЕНИЕ! Несоблюдение этих указаний может привести к травмам или смерти человека и стать причиной повреждения оборудования.

- Чтобы избежать травм, надевайте защитную обувь с армированными носами. Надевайте защитные перчатки и одежду с длинными рукавами. Некоторые детали имеют острые кромки.
- Аккуратно обращайтесь с приводом.
- Для типоразмеров R6 и R9: Поднимайте привод за его подъемные проушины. Не наклоняйте привод. **Привод имеет большой вес, и его центр тяжести расположен высоко. Опрокидывание привода может привести к травмам.**



- Берегитесь горячих поверхностей. Отдельные детали, например радиаторы силовых полупроводниковых приборов, остаются горячими некоторое время после отключения электропитания.
- При установке привода следите за тем, чтобы стружка, образующаяся при сверлении отверстий, не попала внутрь привода. Попадание электропроводящей пыли внутрь привода может стать причиной его повреждения или неправильного функционирования.
- Обеспечьте достаточное охлаждение.
- Запрещается крепить привод заклепками или сваркой.

■ Печатные платы



ПРЕДУПРЕЖДЕНИЕ! Несоблюдение приведенных ниже указаний может привести к повреждению печатных плат.

- Работая с печатными платами, обязательно надевайте заземляющий браслет. Не прикасайтесь к платам без необходимости. На печатных платах находятся элементы, чувствительные к статическому электричеству.

Безопасный запуск и эксплуатация

■ Общие правила техники безопасности

Эти предупреждения предназначены для персонала, ответственного за планирование работы и эксплуатацию привода.



ПРЕДУПРЕЖДЕНИЕ! Несоблюдение этих указаний может привести к травмам или смерти человека и стать причиной повреждения оборудования.

- Перед подачей напряжения на привод убедитесь, что все крышки привода установлены на место. Не снимайте крышки во время работы.
- Перед настройкой и вводом в эксплуатацию привода необходимо убедиться в том, что двигатель и подсоединенное к нему оборудование рассчитаны на работу в диапазоне скоростей, обеспечиваемых приводом. В зависимости от настройки привода скорость вращения двигателя может быть больше или меньше скорости вращения двигателя, непосредственно подключаемого к электросети.
- Перед включением функций автоматического сброса отказов или автоматического перезапуска (в программе управления приводом) убедитесь, что это не приведет к возникновению опасной ситуации. Эти функции позволяют автоматически выполнить сброс и возобновить работу привода после отказа или прерывания питания.
- Максимальное число включений питания привода составляет пять за десять минут. Слишком частое включение питания может повредить зарядный контур конденсаторов постоянного тока.
- Убедитесь, что все цепи безопасности (например, безопасный останов и безопасное отключение крутящего момента) проверены перед запуском. Инструкции по проверке приведены в главе [Запуск](#).

Примечание

- Если выбран внешний источник команды пуска и эта команда активна, привод запускается сразу же после восстановления входного напряжения или сброса отказа, если не используется режим трехпроводного (импульсного) управления пуском/остановом.

- Если не выбрано местное управление, кнопка останова на панели управления не остановит привод.
-

Приводы двигателей с постоянными магнитами



ПРЕДУПРЕЖДЕНИЕ! Запрещается работа двигателя на скорости, превышающей номинальную. Превышение скорости приводит к опасному повышению напряжения, что может стать причиной повреждения или взрыва конденсаторов в промежуточном звене постоянного тока привода.





2

Предисловие к руководству

Обзор содержания главы

В этой главе дается описание руководства. Приведена блок-схема проверки комплектности, монтажа и пуска привода. Схема содержит ссылки на главы/разделы данного руководства и другую документацию.

На кого рассчитано руководство

Данное руководство предназначено для лиц, которые осуществляют планирование монтажа, монтаж, запуск, эксплуатацию и обслуживание привода. Изучите руководство перед началом работы с приводом. Предполагается, что читатель знаком с основами электротехники, монтажом, электротехническими компонентами и обозначениями на электрических схемах.

Руководство написано для широкого круга пользователей в разных странах мира. В нем используются две системы измерений: международная (СИ) и британская.

Содержание настоящего руководства

В настоящем руководстве содержатся инструкции и прочие сведения, относящиеся к базовой конфигурации привода. Ниже приведено краткое содержание глав настоящего руководства.

Инструкция по технике безопасности правила техники безопасности при монтаже, запуске, эксплуатации и техническом обслуживании привода.

Предисловие к руководству общие сведения о данном руководстве.

Описание принципа действия и оборудования общее описание привода.

Механический монтаж описание механического монтажа базового привода.

Планирование электрического монтажа указания по выбору двигателя и кабелей, а также по организации защиты и по прокладке кабелей.

Электрический монтаж указания по электрическому монтажу привода.

Карта проверок монтажа перечень проверок механического и электрического монтажа привода.

Запуск методика запуска привода.

Поиск и устранение неисправностей описание процедуры поиска неисправностей привода.

Техническое обслуживание указания по профилактическому техническому обслуживанию.

Технические характеристики технические характеристики привода (номинальные значения, размеры и технические требования, условия выполнения требований по маркировке CE и прочей маркировке).

Габаритные чертежи габаритные чертежи приводов и вспомогательных компонентов.

Функция безопасного отключения крутящего момента описание функции безопасного отключения крутящего момента привода и инструкции по ее использованию.

Резистивное торможение описание процесса выбора, защиты и подключения тормозных прерывателей и резисторов. Глава также содержит технические характеристики.

Фильтры синфазных помех, di/dt и синус-фильтры описание процесса выбора внешних фильтров для привода.

Сопутствующие руководства

См. **Перечень сопутствующих руководств** на внутренней стороне передней обложки.

Классификация по типоразмеру и коду опций.

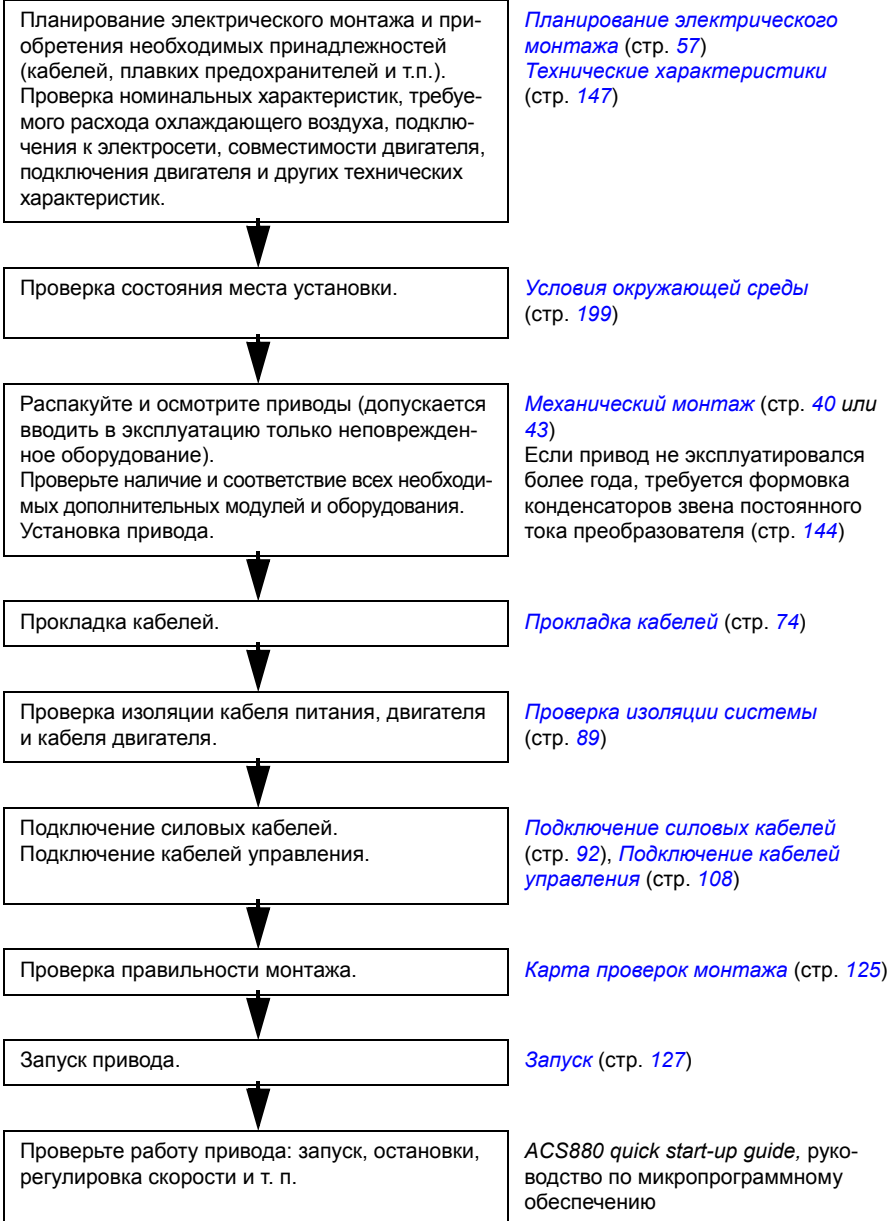
Некоторые указания, технические данные и габаритные чертежи, которые относятся только к определенным типоразмерам приводов, обозначены символом типоразмера (R1, R2 и т.п.). Типоразмер указан в табличке с обозначением типа привода.

Рядом с инструкциями и техническими характеристиками, относящимися только к определенным вариантам исполнения, указывается код дополнительного компонента (например, +E200). Дополнительные устройства, входящие в привод, могут идентифицироваться кодами опций, указываемыми на табличке с обозначением типа. Имеющиеся дополнительные устройства перечислены в разделе **Код обозначения типа** на стр. 33.

Общая блок-схема по монтажу, запуску и эксплуатации

Содержание операции

См. разделы



Термины и сокращения

Термин/ сокращение	Пояснение
EMC	Электромагнитная совместимость, ЭМС
EMI	Электромагнитные помехи
EMT	Металлические кабелепроводы
FAIO-01	Дополнительный модуль расширения аналоговых входов/выходов
FDIO-01	Дополнительный модуль расширения цифровых входов/выходов
FIO-01	Дополнительный модуль расширения цифровых входов/выходов
FIO-11	Дополнительный модуль расширения аналоговых входов/выходов
FCAN-01	Дополнительный интерфейсный модуль CANopen FCAN-01
FCNA-01	Дополнительный интерфейсный модуль ControlNet™
FDNA-01	Дополнительный интерфейсный модуль DeviceNet™
FECA-01	Дополнительный интерфейсный модуль EtherCAT
FEPL-01	Дополнительный интерфейсный модуль Ethernet POWERLINK
FENA-01	Дополнительный интерфейсный модуль Ethernet/IP™, Modbus/TCP и PROFINET
FENA-11	Дополнительный двухпортовый интерфейсный модуль Ethernet/IP™, Modbus/TCP и PROFINET
FLON-01	Дополнительный интерфейсный модуль LonWorks®
FPBA-01	Дополнительный интерфейсный модуль PROFIBUS DP
FEN-01	Дополнительный интерфейсный модуль инкрементного TTL-энкодера
FEN-11	Дополнительный интерфейсный модуль абсолютного TTL-энкодера
FEN-21	Дополнительный интерфейсный модуль резолвера
FEN-31	Дополнительный интерфейсный модуль инкрементного HTL-энкодера
FDCO-01	Дополнительный интерфейсный модуль системы связи DDCS
FSO-12	Дополнительный модуль функций защиты
Frame (size)	Типоразмер привода
IGBT	Биполярный транзистор с изолированным затвором – управляемый напряжением полупроводниковый прибор, широко применяемый в инверторах благодаря простоте управления и высокой частоте коммутации
I/O	Ввод/вывод, входы/выходы
ZCON	Плата управления, на которой исполняется программа управления.
ZCU	Плата управления, встроенная в корпус. Внешние сигналы управления через входы/выходы подключаются к блоку управления или к дополнительным установленным на нем модулям расширения входов/выходов.
ZGAB	Интерфейсная плата тормозного прерывателя в приводах типоразмеров R8...R9
ZGAD	Интерфейсная плата драйверов управления силовыми ключами в приводах типоразмеров R6...R9
ZINT	Главная печатная плата
ZMU	Блок памяти, подключаемый к блоку управления привода
R1...R9	Обозначение типоразмеров привода

3

Описание принципа действия и оборудования

Обзор содержания главы

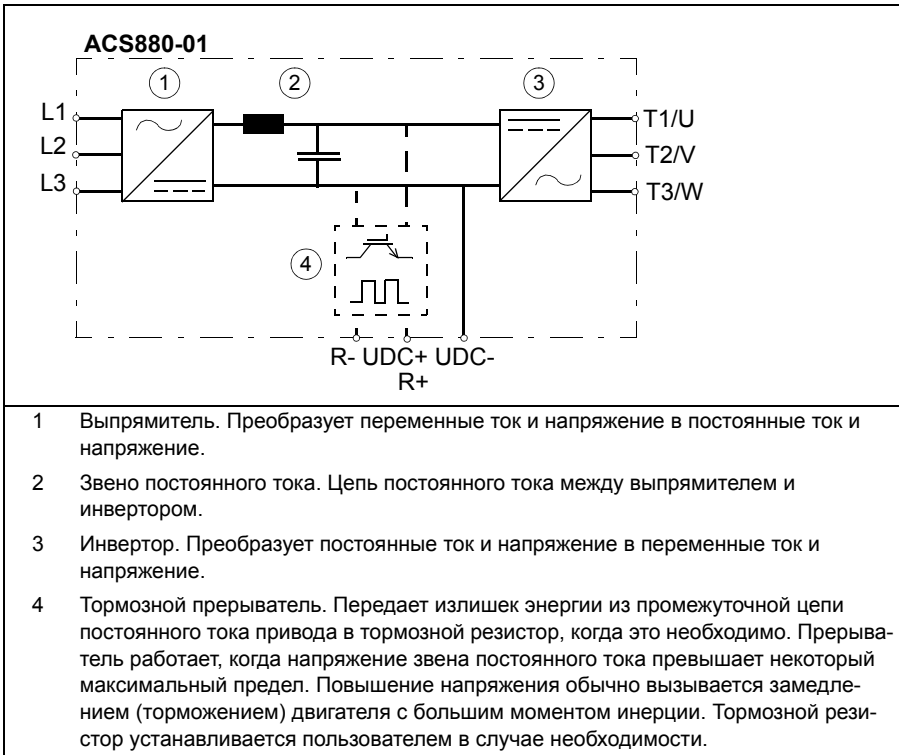
В этой главе кратко рассмотрены принцип работы и конструкция привода.

Краткое описание привода

ACS880-01 — это привод для управления асинхронными двигателями переменного тока, синхронными двигателями с постоянными магнитами, индукционными серводвигателями переменного тока и индукторными синхронными двигателями АВВ (двигатели SynRM, с дополнительной программой +N7502). Частоту вращения основного вентилятора охлаждения можно регулировать. Вспомогательный вентилятор охлаждения можно только включать/выключать.

■ Основная схема

Основная схема привода показана на приведенном ниже рисунке.



- 1 Выпрямитель. Преобразует переменные ток и напряжение в постоянные ток и напряжение.
- 2 Звено постоянного тока. Цепь постоянного тока между выпрямителем и инвертором.
- 3 Инвертор. Преобразует постоянные ток и напряжение в переменные ток и напряжение.
- 4 Тормозной прерыватель. Передает излишек энергии из промежуточной цепи постоянного тока привода в тормозной резистор, когда это необходимо. Прерыватель работает, когда напряжение звена постоянного тока превышает некоторый максимальный предел. Повышение напряжения обычно вызывается замедлением (торможением) двигателя с большим моментом инерции. Тормозной резистор устанавливается пользователем в случае необходимости.

■ Компоновка (IP21, UL тип 1)

Ниже изображены компоненты привода IP21 в стандартной комплектации (показан типоразмер R5).



■ Компоновка (IP55, дополнительный компонент +B056)

Ниже изображены компоненты привода IP55 (дополнительный компонент +B056) (показан типоразмер R4).



■ **Компоновка (UL тип 12, дополнительный компонент +B056)**

Ниже изображены компоненты привода UL тип 12 (дополнительный компонент +B056) (показан типоразмер R6).

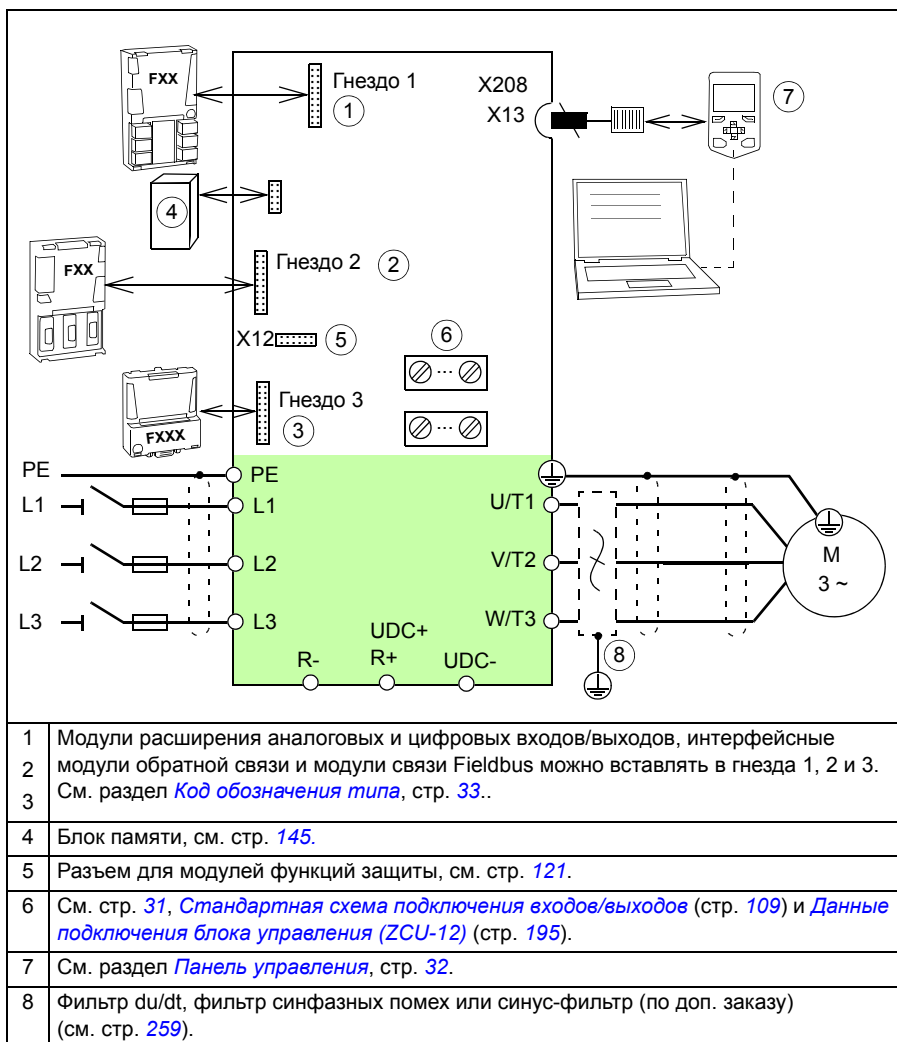


■ **Компоновка (IP20 — открытого типа по стандарту UL, дополнительные компоненты +P940 и +P944)**

См. документ ACS880-01 +P940/+P944 drives for cabinet installation supplement (код английской версии 3AUA0000145446).

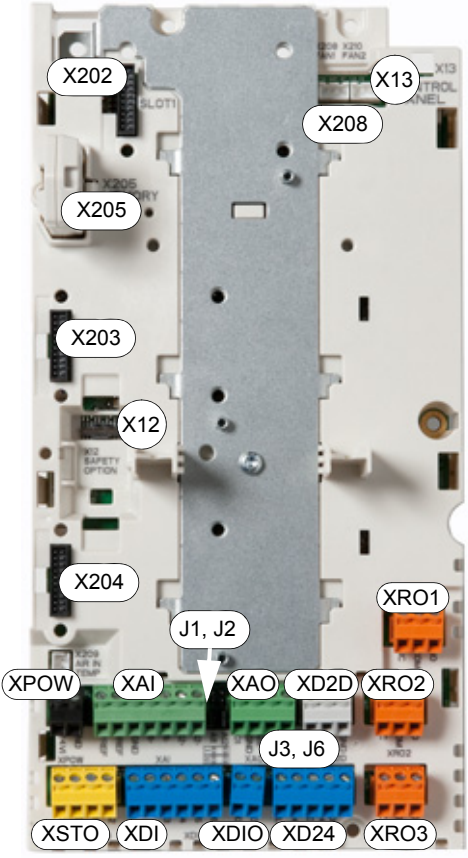
■ Разъемы питания и управления

На схеме показаны подключение силовых цепей и интерфейсы управления привода.



Клеммы для подключения сигналов внешнего управления

Ниже показано расположение клемм для подключения внешнего управления приводом.



Описание	
XPOW	Вход внешнего питания
XAI	Аналоговые входы
XAO	Аналоговые выходы
XD2D	Линия связи привод-привод
XRO1	Релейный выход 1
XRO2	Релейный выход 2
XRO3	Релейный выход 3
XD24	Подключение блокировки пуска (DIIL) и выход +24 В
XDIO	Цифровые входы/выходы
XDI	Цифровые входы
XSTO	Разъем сигнала безопасного отключения крутящего момента
X12	Разъем для модулей функций защиты (дополнительный)
X13	Подключение панели управления
X202	Дополнительное гнездо 1
X203	Дополнительное гнездо 2
X204	Дополнительное гнездо 3
X205	Подключение блока памяти
X208	Подключение вспомогательного вентилятора охлаждения
J1, J2	Переключки выбора напряжения/тока (J1, J2) для аналоговых входов
J3, J6	Переключка для оконечной нагрузки линии связи привод-привод (J3), переключка выбора общей земли цифровых входов (J6)

■ Панель управления

Панель управления можно снять, потянув ее вперед за верхний край, и установить на место в обратном порядке. Процесс использования панели управления описан в руководстве по микропрограммному обеспечению и документе *ACS-AP assistant control panels user's manual* (код английской версии 3AUA0000085685).



Крышка платы для монтажа панели управления

Если в комплекте поставки отсутствует панель управления (дополнительный компонент + 0J400), плата для монтажа панели управления закрывается крышкой. Светодиодные индикаторы на монтажной плате видны сквозь защитную крышку.

Примечание. Если установлены дополнительные компоненты +0J400+P940 или +0J400+P944, то крышка не входит в комплект поставки.

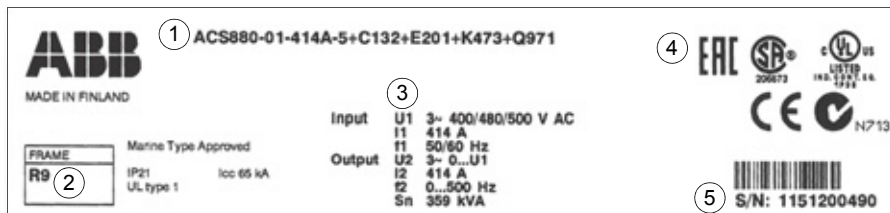


Комплект для монтажа панели управления на дверце

Имеются комплекты для монтажа панели управления на дверце. Более подробные сведения приведены в руководствах *DPMP-01 mounting platform installation guide* (код английской версии 3AUA0000100140) и *DPMP-02 mounting platform installation guide* (код английской версии 3AUA0000136205).

Табличка с обозначением типа

Идентификационная табличка содержит номинальные характеристики по стандартам IEC и NEMA, соответствующие маркировки, обозначение типа и серийный номер, что обеспечивает однозначную идентификацию каждого привода. Идентификационная табличка расположена на передней крышке. Ниже изображен пример идентификационной таблички.



№	Описание
1	Код типа см. в разделе <i>Код обозначения типа</i> на стр. 33.
2	Типоразмер
3	Номинальные характеристики в диапазоне напряжения питания
4	Действующие маркировочные знаки
5	Серийный номер. Первая цифра серийного номера обозначает завод-изготовитель. Следующие четыре цифры указывают соответственно год и неделю изготовления. Остальные цифры дополняют серийный номер таким образом, что не существует двух приводов с одинаковым серийным номером.

Код обозначения типа

Код обозначения типа содержит информацию о параметрах и конфигурации привода. Первые цифры слева обозначают базовую компоновку, например ACS880-01-12A6-3. Приведенные ниже коды дополнительных устройств отделены символами «+», например +L519. Ниже перечислены основные варианты. Некоторые из них предусмотрены не для всех типов приводов. Дополнительная информация приведена в документе *ACS880-01 Ordering Information* (код английской версии ZAXD10000014923) (предоставляется по запросу).

КОД	ОПИСАНИЕ
Базовые коды	
ACS880	Серия изделий
01	Если дополнительные устройства не выбраны: привод настенного монтажа, IP21 (UL тип 1), интеллектуальная панель управления ACS-AP-1, без ЭМС-фильтра, дроссель постоянного тока, основная программа управления ACS880, функция безопасного отключения крутящего момента, коробка ввода кабелей, тормозной прерыватель в приводах типоразмеров R1...R4, платы с покрытием, краткие многоязычные печатные руководства и компакт-диск со всеми руководствами.

КОД	ОПИСАНИЕ
Размер	
xxxx	См. таблицы номинальных характеристик, стр. 148
Диапазон напряжений	
2	208...240 В
3	380...415 В
5	380...500 В
7	525...690 В
Коды дополнительных устройств (коды «+»)	
Класс защиты	
B056	IP55 (UL тип 12)
Конструктивное исполнение	
C131	Виброгасители для типоразмеров R4...R9
C132	Приводы, одобренные для морского применения. Требуется дополнительный компонент +C131 для типоразмеров R4...R9 в настенном исполнении. Содержит фильтр синфазных помех для типоразмеров R6–R9.
C135	Привод для фланцевого монтажа. Отсутствует коробка ввода кабелей.
Резистивное торможение	
D150	Тормозной прерыватель для типоразмера R5 и более
Фильтры	
E200	ЭМС-фильтр для сети электропитания TN (заземленной), вторые условия эксплуатации, категория C3
E201	ЭМС-фильтр для сети электропитания IT (незаземленной), вторые условия эксплуатации, категория C3. Предусматривается для типоразмеров R6...R9 при напряжениях 380...500 В.
E202	ЭМС-фильтр для сети электропитания TN (заземленной), первые условия эксплуатации, категория C2
E208	Фильтр синфазных помех
Коробка ввода кабелей	
H358	Коробка ввода кабелей для Великобритании
Панель управления	
0J400	Без панели управления. Имеется крышка держателя панели управления. Примечание. Для ввода в эксплуатацию привода требуется как минимум одна отдельная панель управления.
Интерфейсные модули Fieldbus	
K451	FDNA-01 — интерфейсный модуль DeviceNet™
K452	FLON-01 — интерфейсный модуль LonWorks®
K454	FPBA-01 – интерфейсный модуль PROFIBUS DP
K457	FCAN-01 – интерфейсный модуль CANopen
K458	FSCA-01 – интерфейсный модуль RS-485
K462	FCNA-01 — интерфейсный модуль ControlNet™

КОД	ОПИСАНИЕ
K469	FECA-01 – интерфейсный модуль EtherCAT
K470	FEPL-01 – интерфейсный модуль Ethernet POWERLINK
K473	FENA-11 — высокоэффективный интерфейсный модуль Ethernet/IP™, Modbus/TCP и PROFINET
Интерфейсные модули расширения входов/выходов и обратной связи	
L500	FIO-11 – модуль расширения аналоговых входов/выходов
L501	FIO-01 – модуль расширения цифровых входов/выходов
L502	FEN-31 – интерфейсный модуль инкрементного HTL-энкодера
L503	FDCO-01 – дополнительный интерфейсный модуль системы связи DDCS
L508	FDCO-02 – дополнительный интерфейсный модуль системы связи DDCS
L515	FEA-03 — интерфейсный модуль расширения входов/выходов FEA-03
L516	FEN-21 – интерфейсный модуль резолвера
L517	FEN-01 – интерфейсный модуль инкрементного TTL-энкодера
L518	FEN-11 – интерфейсный модуль абсолютного энкодера
L525	FAIO-01 — модуль расширения аналоговых входов-выходов
L526	FDIO-01 — модуль расширения цифровых входов/выходов
Программа управления	
N7502	Обеспечивает настройку параметров индукторного синхронного двигателя в программе управления приводом.
Специальные устройства	
P904	Расширенная гарантия
P940	Привод без передних крышек и коробки для ввода кабелей. Содержит панель управления. Примечание. С дополнительным компонентом +0J400 не содержит крышку держателя панели управления.
P944	Привод без коробки для ввода кабелей. Содержит панель управления. Примечание. С дополнительным компонентом +0J400 не содержит крышку держателя панели управления.
Функция, сертифицированная ATEX	
Q971	Сертифицированная ATEX функция отключения двигателя, использующая функцию безопасного отключения крутящего момента
Модули функций защиты	
Q973	Модуль функций защиты FSO-12
Полный комплект печатных руководств на выбранном языке. Примечание. Поставляемый комплект руководств может содержать руководства на английском языке, если они не переведены на требуемый язык.	
R700	Английский
R701	Немецкий
R702	Итальянский
R703	Голландский
R704	Датский

КОД	ОПИСАНИЕ
R705	Шведский
R706	Финский
R707	Французский
R708	Испанский
R709	Португальский
R711	Русский
R713	Польский
R714	Турецкий

4

Механический монтаж

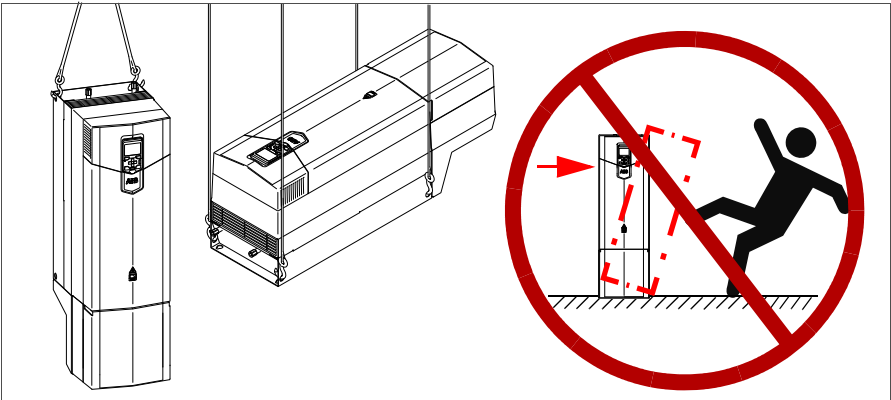
Обзор содержания главы

В этой главе приведено описание механического монтажа привода.

Техника безопасности



ПРЕДУПРЕЖДЕНИЕ! Для типоразмеров R6...R9: Поднимайте привод за имеющиеся монтажные проушины. Не наклоняйте привод. Привод имеет большой вес, и его центр тяжести расположен высоко. Опрокидывание привода может привести к травме.

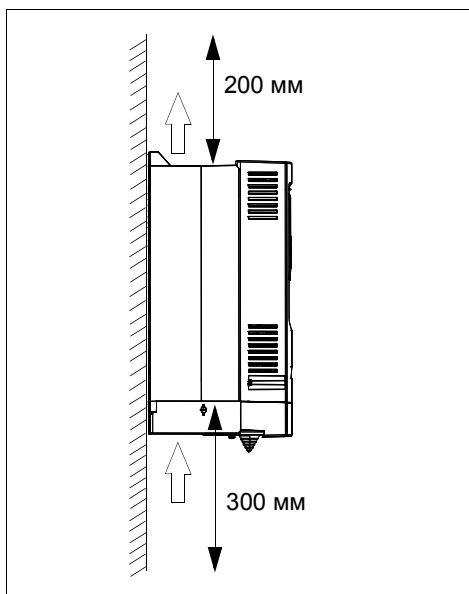


Осмотр места установки

Привод должен быть установлен в вертикальном положении, а радиатор охлаждения должен быть обращен к стене. Все приводы IP21 (UL тип 1), приводы IP55 и приводы UL тип 12 с типоразмерами R1...R3 могут устанавливаться непосредственно рядом друг с другом. Для приводов UL тип 12 с типоразмерами R4...R9 необходимо оставлять между кожухами расстояние 100 мм.

Убедитесь, что место установки соответствует вышеуказанным требованиям.

- Вентиляция в месте установки реализована должным образом во избежание перегрева привода. См. раздел *Потери, данные контура охлаждения и шум* на стр. 186.
- Условия эксплуатации привода соответствуют характеристикам, приведенным в разделе *Условия окружающей среды* (стр. 199).
- Стена располагается вертикально, не огнеопасна и достаточно прочна, чтобы выдержать вес привода. См. стр. 184.
- Пол под приводом выполнен из негорючего материала.
- Сверху и снизу привода предусмотрено достаточное пространство для потока охлаждающего воздуха, ремонта и технического обслуживания. См. стр. 184. Перед приводом достаточно свободного места для эксплуатации, ремонта и технического обслуживания.



Необходимые инструменты

- Дрель и сверла
- Отвертка и/или гаечный ключ с набором надлежащих вставок. Крышка привода крепится винтами с утопленной шестигранной головкой.

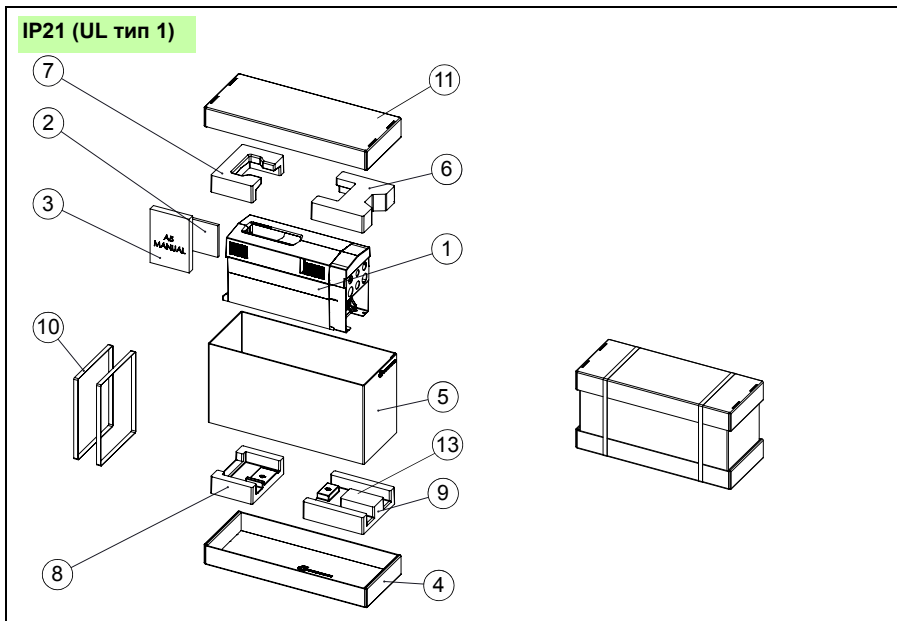
Перемещение привода

Для перемещения привода в транспортировочной упаковке на место установки используйте грузовую тележку.



Распаковка и проверка комплектности (типоразмеры R1...R5)

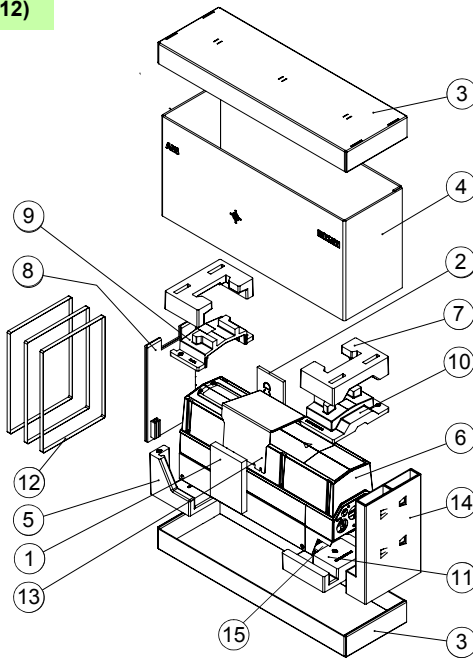
На рисунке ниже приведено расположение компонентов в транспортировочной упаковке. Убедитесь в наличии всех компонентов и отсутствии повреждений. Ознакомьтесь с данными на табличке с обозначением типа привода и убедитесь, что используется привод соответствующего типа.



Поз.	Описание	Поз.	Описание
1	Привод с дополнительными устройствами, смонтированными на заводе-изготовителе. Полка заземления кабелей управления. Разъемы Romex на приводах с классом защиты IP21 типоразмеров R1...R3 располагаются в пластиковом пакете внутри коробки ввода кабелей.	6...9	Прокладки
2	Компакт-диск с руководствами	13	Комплект виброгасителя (дополнительный компонент +C131) <u>Типоразмер R4 и типоразмер R5 с IP55 (UL тип 12):</u> под коробкой для ввода кабеля <u>Типоразмер R5 с IP21 (UL тип 1):</u> внутри коробки для ввода кабеля

3	Печатные краткие инструкции и руководства, многоязычная наклейка с предупреждением об остаточных напряжениях	10	Полиэтиленовые ленты
4	Картонный поддон	11	Картонная верхняя крышка
5	Картонная обойма	-	-

IP55 (UL тип 12)



3AXD50000003341

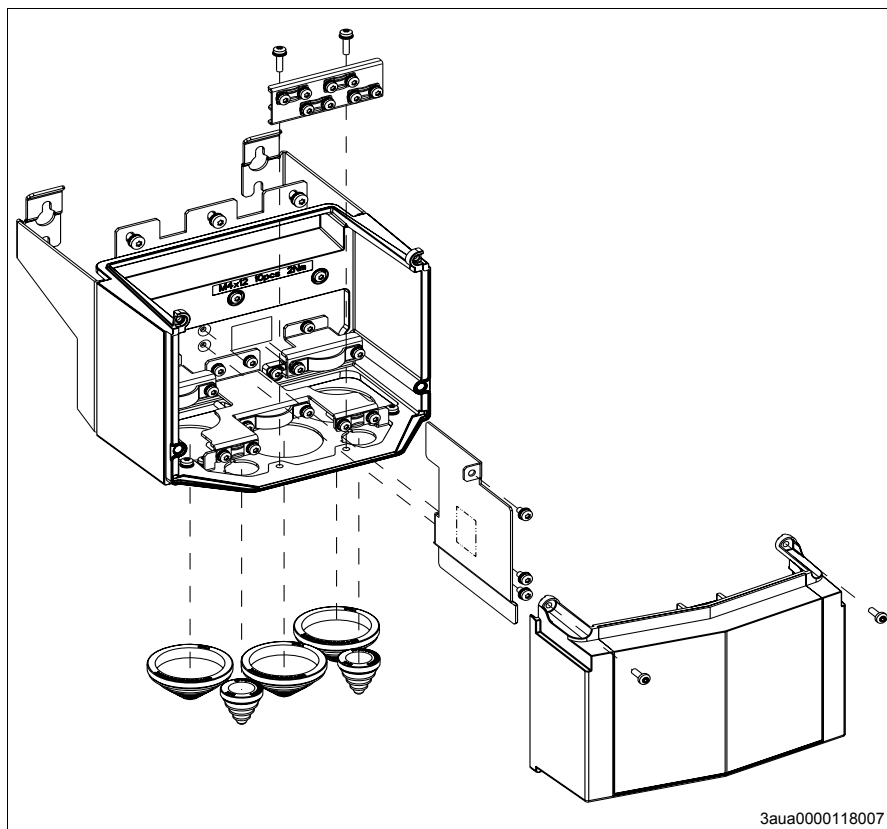
Поз.	Описание	Поз.	Описание
1	Печатные краткие инструкции и руководства, многоязычная наклейка с предупреждением об остаточных напряжениях	7 ... 11	Прокладки и картонная опора
2	Компакт-диск с руководствами	12	Полиэтиленовые ленты
3	Картонный поддон	13	Кожух (для типоразмеров R4 и R5). Кожух требуется только для установок UL тип 12.
4	Картонная обойма	14	Опора
5	Прокладка	15	Комплект виброгасителя (дополнительный компонент +С131)
6	Привод с дополнительными устройствами, смонтированными на заводе-изготовителе. Полка заземления кабелей управления.	-	-

Действия по распаковке:

- Разрежьте ленты (10).
- Снимите верхнюю картонную крышку (11) и удалите прокладки (6...9).
- Поднимите картонную обойму (5).
- Поднимите привод.

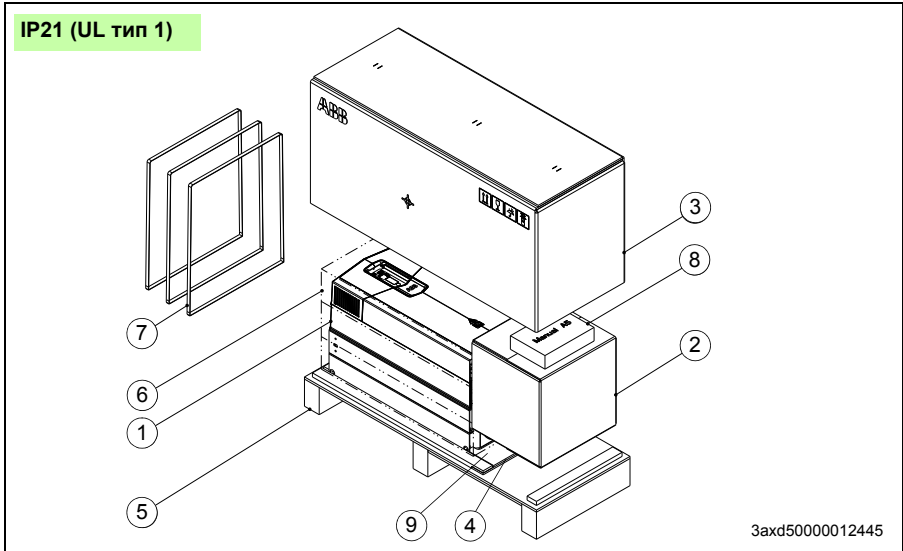
■ Коробка ввода кабелей, типоразмер R5 (IP21, UL тип 1)

На данном рисунке приведено содержимое упаковки коробки ввода кабелей. В комплект также входит сборочный чертеж, показывающий процедуру монтажа коробки ввода кабелей на раму приводного модуля.

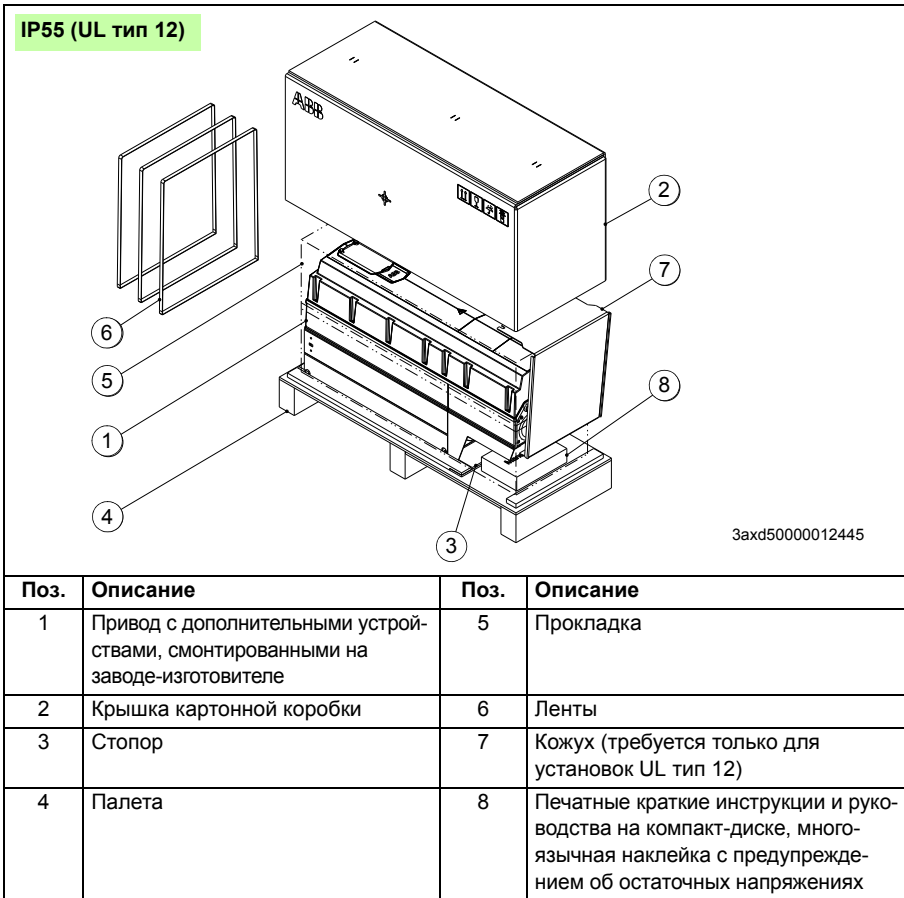


Распаковка и проверка комплектности (типоразмеры R6...R9)

На рисунке ниже приведено расположение компонентов в транспортировочной упаковке. Убедитесь в наличии всех компонентов и отсутствии повреждений. Ознакомьтесь с данными на табличке с обозначением типа привода и убедитесь, что используется привод соответствующего типа.



Поз.	Описание	Поз.	Описание
1	Привод с дополнительными устройствами, смонтированными на заводе-изготовителе	6	Прокладка
2	Коробка ввода кабелей. Полки заземления кабелей питания и управления в пластиковом пакете, сборочный чертеж. Примечание. В приводах с классом защиты IP55 монтаж коробки ввода кабелей к раме приводного модуля производится на заводе-изготовителе.	7	Ленты
3	Крышка картонной коробки	8	Печатные краткие инструкции и руководство на компакт-диске, многоязычная наклейка с предупреждением об остаточных напряжениях
4	Стопор	9	Комплект виброгасителя (дополнительный компонент +С131). <u>Для типоразмера R6:</u> внутри коробки для ввода кабелей.
5	Палета	-	-

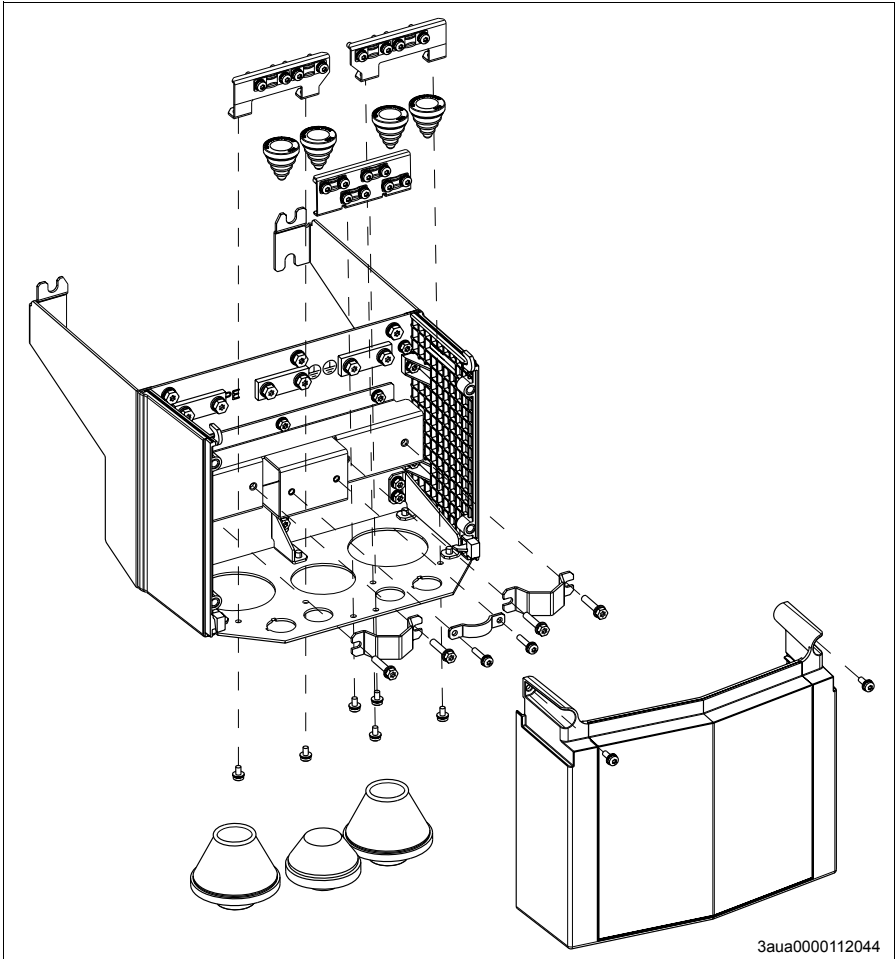


Действия по распаковке:

- Разрежьте ленты (6).
- Снимите верхнюю картонную крышку (3) и удалите прокладку (4).
- Поднимите картонную обойму (5).
- Вставьте подъемные крюки в монтажные проушины привода. Поднимите привод с помощью лебедки.

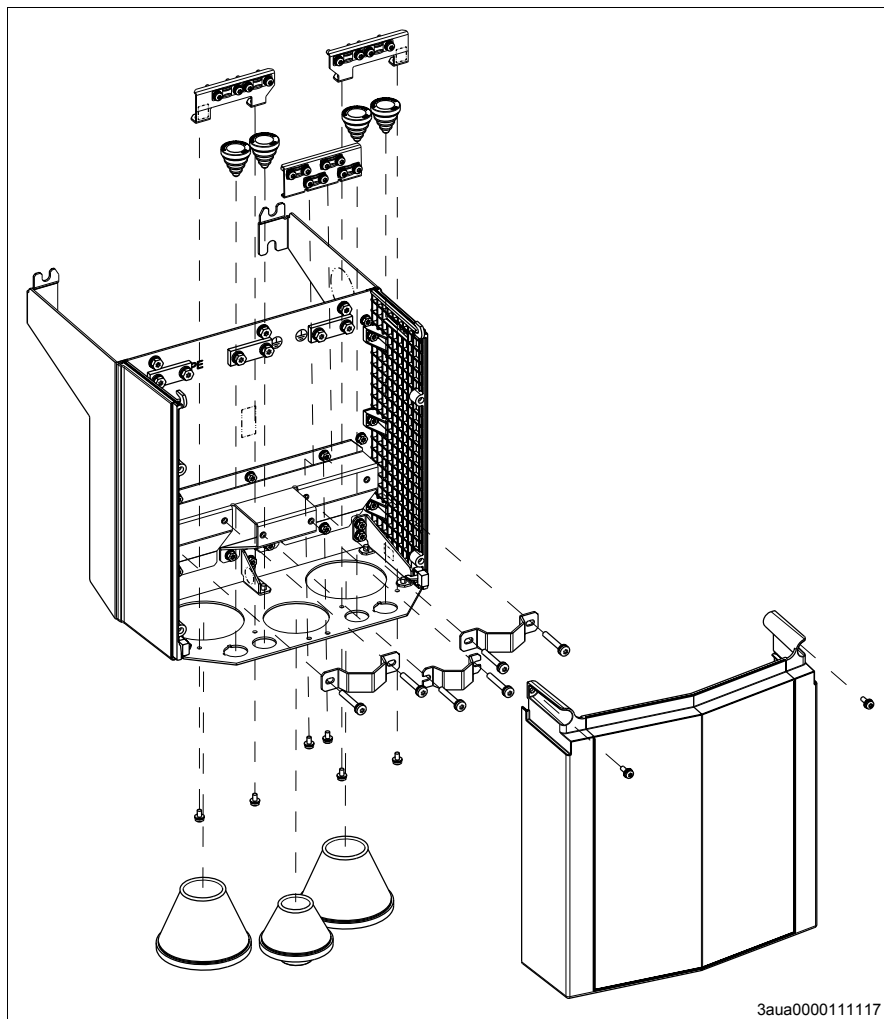
Коробка ввода кабелей, типоразмер R6 (IP21, UL тип 1)

На данном рисунке приведено содержимое упаковки коробки ввода кабелей. В комплект также входит сборочный чертеж, показывающий процедуру монтажа коробки ввода кабелей на раму приводного модуля.



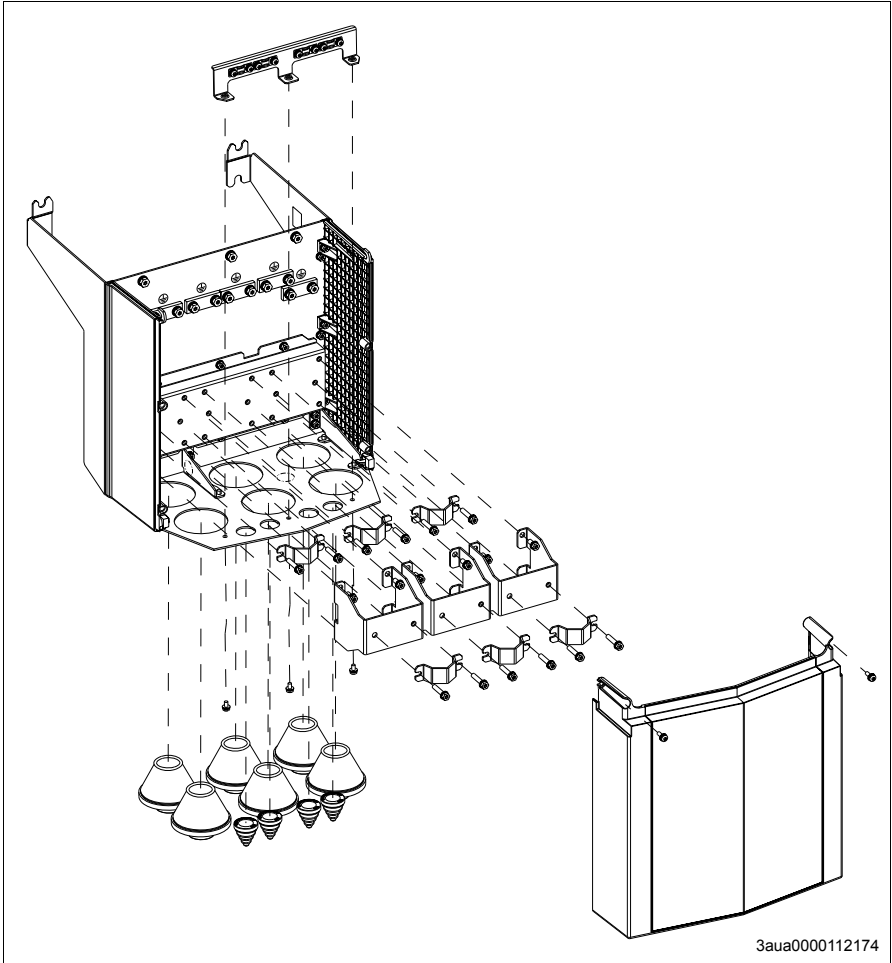
■ Коробка ввода кабелей, типоразмер R7 (IP21, UL тип 1)

На данном рисунке приведено содержимое упаковки коробки ввода кабелей. В комплект также входит сборочный чертеж, показывающий процедуру монтажа коробки ввода кабелей на раму приводного модуля.



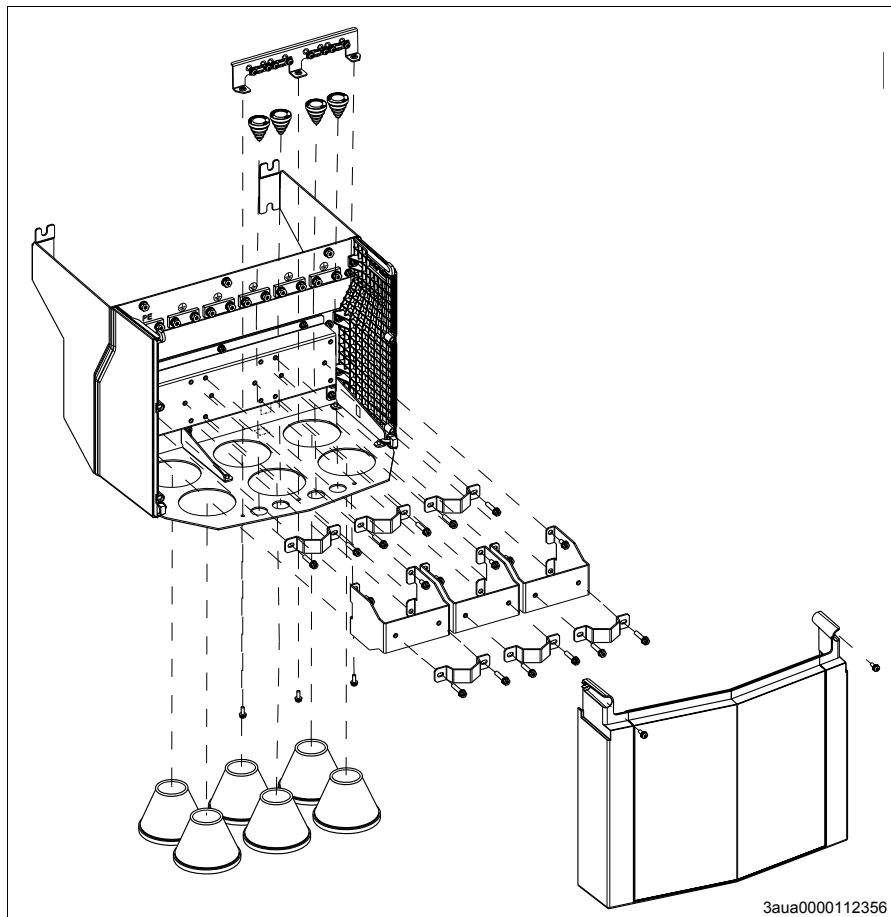
■ Коробка ввода кабелей, типоразмер R8 (IP21, UL тип 1)

На данном рисунке приведено содержимое упаковки коробки ввода кабелей. В комплект также входит сборочный чертеж, показывающий процедуру монтажа коробки ввода кабелей на раме приводного модуля.



■ Коробка ввода кабелей, типоразмер R9 (IP21, UL тип 1)

На данном рисунке приведено содержимое упаковки коробки ввода кабелей. В комплект также входит сборочный чертеж, показывающий процедуру монтажа коробки ввода кабелей на раму приводного модуля.



Монтаж привода

В этом разделе описана процедура настенного монтажа привода без виброгасителей.

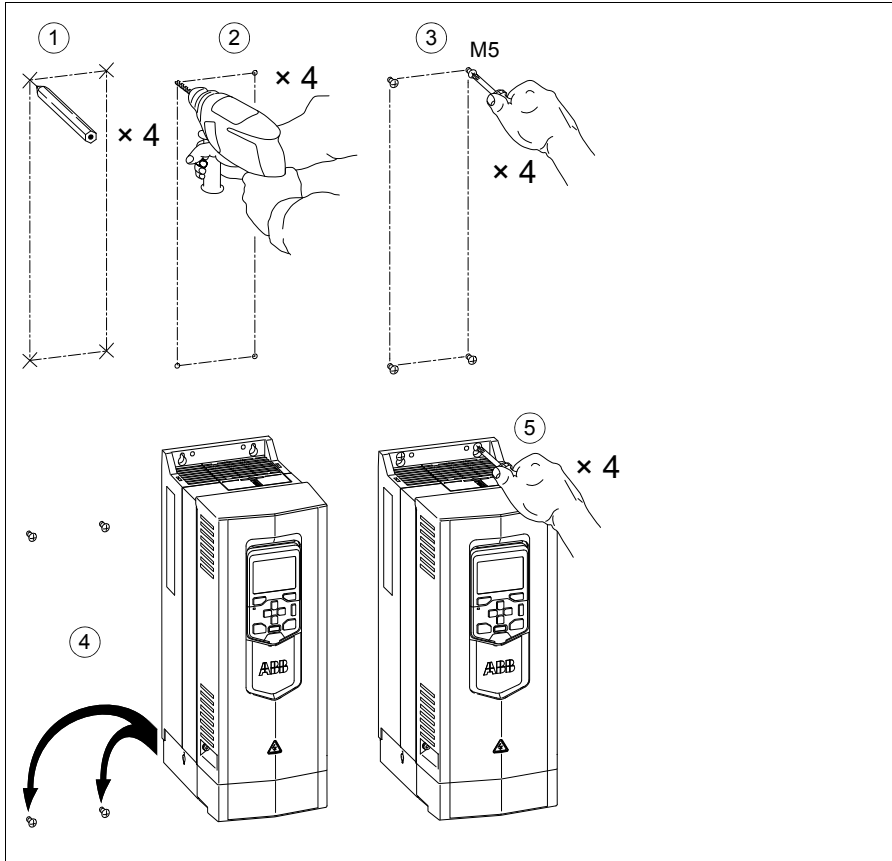
■ **Монтаж виброгасителей (дополнительный компонент +C131)**

Для приводов, одобренных для морского применения (дополнительный компонент +C132), типоразмеров R4...R9 в настенном исполнении требуется установка виброгасителей. См. руководства по монтажу *Vibration dampers for ACS880-01 drives (frames R4 and R5, option +C131) installation guide* (код английской версии 3AXD50000010497) или *Vibration dampers for ACS880-01 drives (frames R6 to R9, option +C131) installation guide* (код английской версии 3AXD50000010497). Руководство входит в комплект поставки виброгасителей и имеется на компакт-диске с руководствами.



■ Типоразмеры R1...R4 (IP21, UL тип 1)

1. Габаритные размеры приведены в главе *Габаритные чертежи*. Отметьте положение четырех крепежных отверстий.
2. Просверлите крепежные отверстия.
3. Вставьте винты или болты в крепежные отверстия.
4. Повесьте привод на закрепленных в стене винтах.
5. Плотно затяните винты в стене.



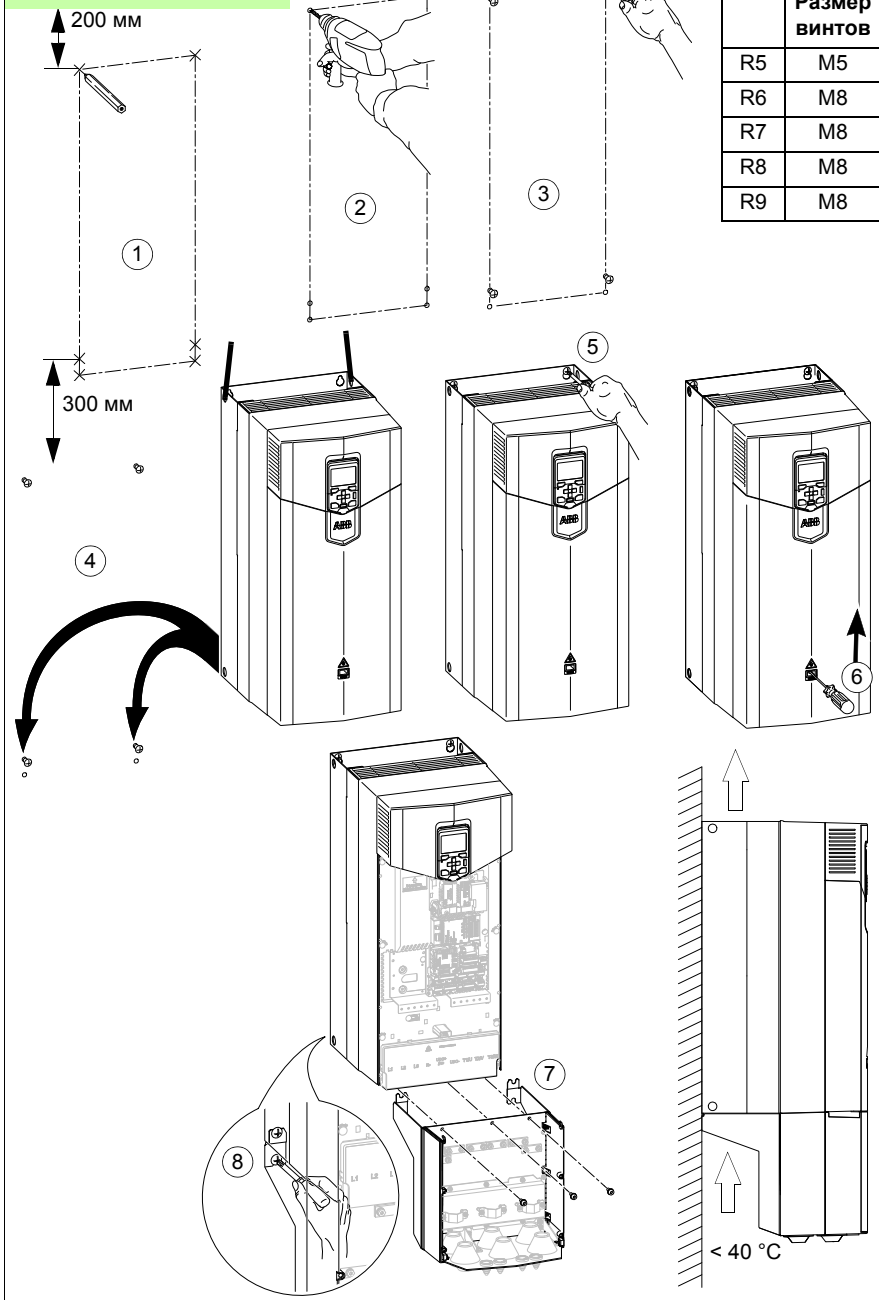
■ Типоразмеры R5...R9 (IP21, UL тип 1)

1. Габаритные размеры приведены в главе [Габаритные чертежи](#). Отметьте положение четырех или шести крепежных отверстий.
Примечание. Нижние отверстия и крепежные винты можно не использовать. В случае их использования имеется возможность заменить приводной модуль, не снимая со стены коробку для ввода кабелей.
2. Просверлите крепежные отверстия.
3. Вставьте винты или болты в крепежные отверстия.
4. Повесьте приводной модуль на винтах, закрепленных в стене.
5. Плотно затяните верхние крепежные винты в стене.
6. Снимите переднюю крышку.
7. Прикрепите коробку ввода кабелей к раме привода. Указания см. на сборочном чертеже в коробке ввода кабелей. Изображение привода типоразмера R8 приведено ниже.
8. Плотно затяните нижние крепежные винты в стене.



IP21 (UL тип 1) R5 ... R9

	Размер винтов
R5	M5
R6	M8
R7	M8
R8	M8
R9	M8



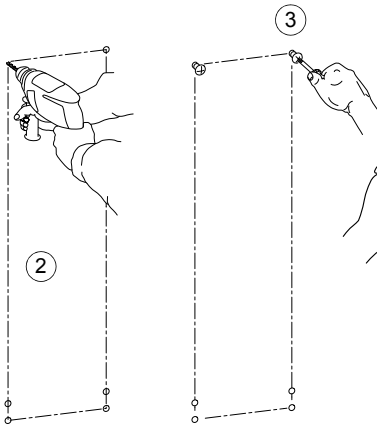
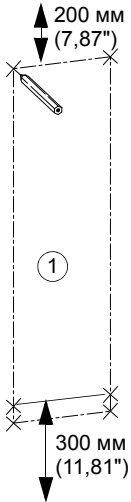
■ Типоразмер R1...R9 (IP55, UL тип 12)

Примечание. Не открывайте и не снимайте коробку ввода кабелей с целью облегчения монтажа. Если коробка открыта, прокладки не смогут обеспечить соответствующую степень защиты.

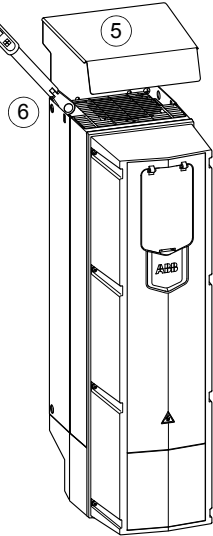
1. Габаритные размеры приведены в главе *Габаритные чертежи*. Отметьте положение четырех или шести крепежных отверстий. Нижние отверстия можно не использовать.
2. Просверлите крепежные отверстия.
3. Вставьте верхние винты или болты в крепежные отверстия.
4. Повесьте привод на закрепленных в стене верхних винтах.
5. Для приводов UL типа 12 с типоразмерами R4...R9: Наденьте кожух на верхние винты.
6. Плотно затяните верхние винты в стене.
7. Вставьте нижние винты или болты в крепежные отверстия.
8. Плотно затяните нижние винты в стене.



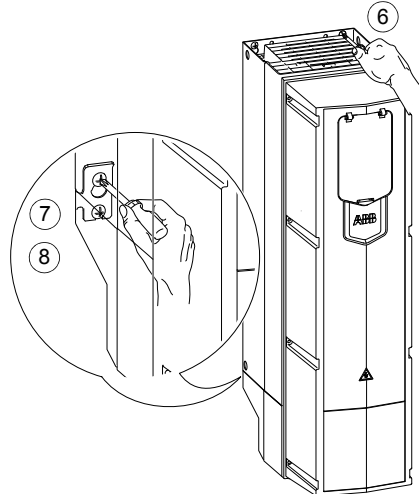
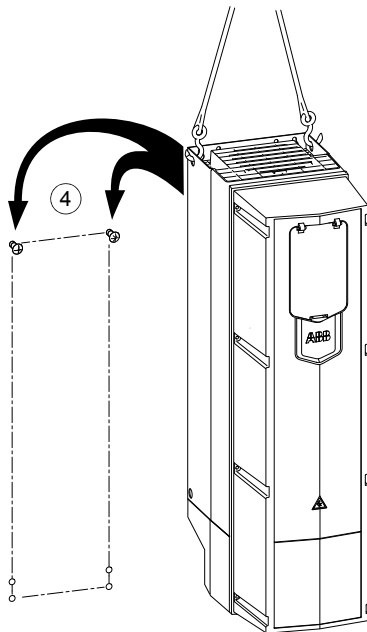
IP55 (UL тип 12) R1...R9



UL тип 12 (R4...R9)



	Размер винтов
R1...R5	M5
R6...R9	M8



Монтаж на фланцах

См. документ *Flange mounting kit installation supplement* (код английской версии 3AXD5000019100).

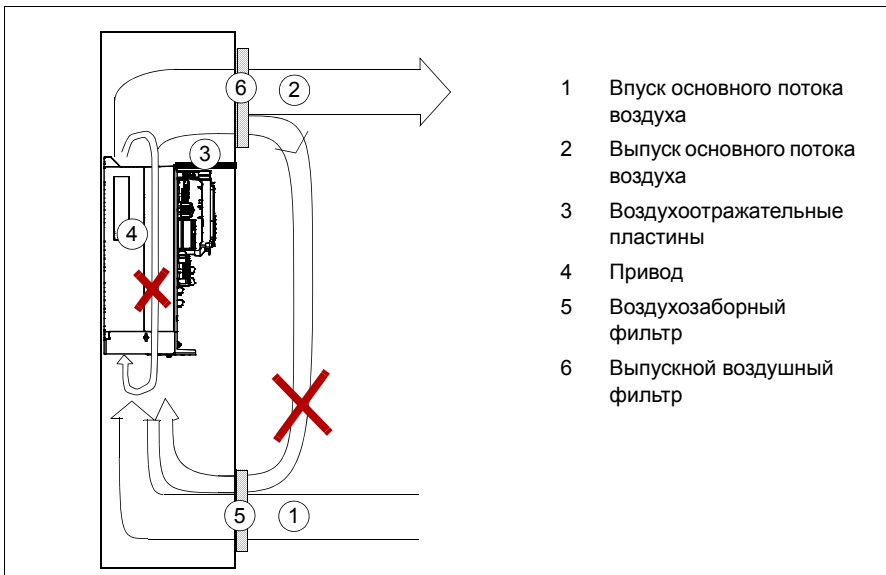
Монтаж в шкафу

В данном разделе приводятся общие указания по монтажу привода в шкафу. Дополнительные сведения см. в руководстве *ACS880-01 +P940 drives for cabinet installation supplement* (код английской версии 3AUA0000145446).

Охлаждение

Обеспечьте достаточный уровень охлаждения:

- Убедитесь в том, что температура охлаждающего воздуха, поступающего в привод, не превышает +40 °С.
- Примите меры к тому, чтобы внутри шкафа отсутствовала рециркуляция воздуха. Для этого можно использовать воздухоотражательные пластины или дополнительный вентилятор на впуске или на выпуске шкафа. При использовании вентилятора рекомендуем установить приточный вентилятор с фильтром. В этом случае вентилятор создает избыточное давление внутри шкафа, что препятствует попаданию пыли в шкаф.
- Исключите рециркуляцию воздуха снаружи шкафа. Обеспечьте отвод воздуха от впуска к противоположной стороне шкафа или вверх.
- Обеспечьте достаточное охлаждение воздуха в помещении, в котором расположен шкаф.



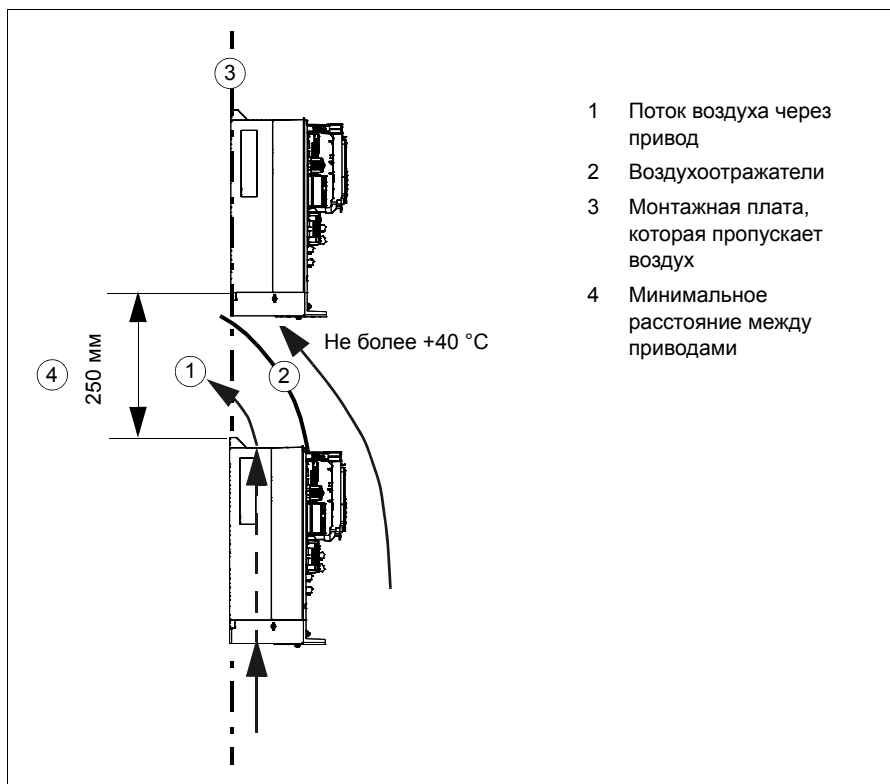
Примечание. Для лучшего охлаждения можно снять переднюю крышку приводного модуля.

Заземление внутри шкафа

Оставьте поверхности контакта точек крепления привода неокрашенными (контакт неокрашенного металла с металлом). Заземление рамы привода обеспечивается присоединением к шине защитного заземления (РЕ) шкафа через поверхности крепления, винты и корпус шкафа. Другим вариантом является использование отдельного заземляющего проводника между клеммой РЕ привода и шиной РЕ шкафа.

Монтаж приводов друг над другом

Убедитесь в том, что выходящий поток охлаждающего воздуха направлен в сторону от привода, расположенного выше.



5

Планирование электрического монтажа

Обзор содержания главы

Эта глава содержит указания по планированию электрического монтажа привода. Часть указаний являются обязательными при монтаже любых установок, другие содержат полезную информацию только для некоторых применений.

Ограничение ответственности

Монтаж всегда следует планировать и выполнять в соответствии с местными законами и нормами. Корпорация АВВ не принимает на себя никаких обязательств в случае выполнения монтажа с нарушением местного законодательства и/или других норм и правил. Кроме того, пренебрежение рекомендациями корпорации АВВ может стать причиной возникновения неисправностей привода, на которые не распространяется гарантия изготовителя.

Выбор устройства отключения электропитания

Установите входное разъединяющее устройство с ручным управлением между источником питания переменного тока и приводом. Разъединяющее устройство должно обеспечивать блокировку в разомкнутом положении для проведения монтажных работ и технического обслуживания.

■ Европейский союз

Для выполнения требований директив Европейского союза в соответствии со стандартом EN60204-1, *Безопасность механического оборудования* допускается применение разъединяющего устройства одного из следующих типов:

- выключатель-разъединитель, категория применения AC-23B (EN 60947-3);
- разъединитель с дополнительным контактом, который в любых обстоятельствах обеспечивает размыкание коммутационных устройств в цепи нагрузки перед размыканием главных контактов разъединителя (EN 60947-3);
- автоматический выключатель, обеспечивающий разъединение в соответствии со стандартом EN 60947-2.

■ Другие регионы

Разъединяющее устройство должно удовлетворять действующим требованиям техники безопасности.

Выбор типа и параметров главного контактора

Если используется главный контактор, его категория применения (число срабатываний под нагрузкой), согласно IEC 60947-4, *Низковольтное коммутационное и управляющее оборудование*, должна быть AC-1. Параметры контактора подбираются в соответствии с номинальными значениями напряжения и тока привода.

Проверка совместимости двигателя и привода

С приводом можно использовать асинхронный двигатель переменного тока, синхронный двигатель с постоянными магнитами, индукционный серводвигатель переменного тока или индукторный синхронный двигатель ABB (двигатель SynRM). К приводу может одновременно подключаться несколько асинхронных (индукционных) двигателей.

Выбирайте мощность и тип двигателя из таблиц номинальных характеристик в главе [Технические характеристики](#) исходя из напряжения питающей электросети и нагрузки двигателя. Если требуется более детальный подбор двигателя, пользуйтесь компьютерной программой DriveSize.

Убедитесь, что двигатель выдерживает максимальное пиковое напряжение, возникающее на клеммах двигателя. См. раздел [Таблица технических требований](#) на стр. 59. Основные положения по защите изоляции и подшипников двигателя в приводных системах изложены ниже в разделе [Защита изоляции и подшипников двигателя](#).

Примечание

- Перед использованием двигателя с номинальным напряжением, отличающимся от напряжения сети переменного тока, к которой подключен вход привода, проконсультируйтесь у изготовителя двигателя.
- Пики напряжения на клеммах двигателя обусловлены напряжением питания привода, а не его выходным напряжением.
- Если выбраны двигатель и привод разной мощности, примите во внимание следующие эксплуатационные пределы для программы управления приводом:
 - номинальное напряжение двигателя находится в пределах $1/6 \dots 2 \cdot U_N$
 - номинальный ток двигателя находится в пределах $1/6 \dots 2 \cdot I_N$ привода в режиме управления DTC и $0 \dots 2 \cdot I_N$ в режиме скалярного управления. Режим управления выбирается установкой соответствующего параметра привода.

■ Защита изоляции и подшипников двигателя

В приводе используется современная инверторная технология на основе биполярных транзисторов с изолированным затвором (IGBT). Выходное напряжение привода (независимо от частоты) содержит импульсы с очень короткими фронтами и амплитудой, примерно равной напряжению в шине постоянного тока. В зависимости от параметров ослабления и отражения в кабеле двигателя и на клеммах, амплитуда импульсов на клеммах двигателя может почти удваиваться. Это, в свою очередь, может создавать дополнительную нагрузку на изоляцию двигателя и его кабеля.

Современные приводы с регулируемой скоростью, характеризующиеся высокой частотой коммутации и наличием импульсов напряжения с крутыми фронтами, могут создавать импульсные токи в подшипниках двигателя. Эти токи способны постепенно разрушать обоймы и вращающиеся элементы подшипников.

Для защиты изоляции двигателя и снижения токов в подшипниках используются дополнительные фильтры du/dt . Дополнительная фильтрация синфазных помех в основном служит для снижения токов в подшипниках. Подшипники двигателя защищаются изолированными подшипниками на неприводном конце вала (сторона N).

■ Таблица технических требований

Приведенная ниже таблица позволяет выбрать систему изоляции двигателя, а также определить, требуется ли использовать внешнее ограничение du/dt и изолированные подшипники на стороне N (неприводная сторона) двигателя. Несоответствие двигателя приведенным ниже требованиям, а также неправильный монтаж могут стать причиной сокращения срока службы двигателя или повреждения подшипников, а также аннулирования гарантии.

Тип двигателя	Номинальное напряжение питания переменного тока	Требования		
		Система изоляции двигателя	Фильтры du/dt и синфазных помех корпорации АВВ и изолированные подшипники двигателя на неприводном конце	
			$P_N < 100$ кВт и типоразмер < IEC 315	$100 \text{ кВт} \leq P_N < 350$ кВт или IEC 315 \leq типоразмер < IEC 400
Двигатели АВВ				
M2_ M3_ и M4_ с вспыной обмоткой	$U_N \leq 500$ В	Стандартная	-	+ N
	$500 \text{ В} < U_N \leq 600$ В	Стандартная	+ du/dt	+ du/dt + N
		или		
		Усиленная	-	+ N
	$600 \text{ В} < U_N \leq 690$ В (длина кабеля ≤ 150 м)	Усиленная	+ du/dt	+ du/dt + N
$600 \text{ В} < U_N \leq 690$ В (длина кабеля > 150 м)	Усиленная	-	+ N	
HX_ и AM_ с шаблонной обмоткой	$380 \text{ В} < U_N \leq 690$ В	Стандартная	Нет	+ N + CMF
Прежние* типы HX_ с шаблонной обмоткой и модульные	$380 \text{ В} < U_N \leq 690$ В	Данные следует получить у изготовителя.	+ фильтр du/dt на напряжение свыше 500 В + N + CMF	
HX_ и AM_ с вспыной обмоткой**	$0 \text{ В} < U_N \leq 500$ В	Эмалированный провод, обмотанный стекловолоконной лентой	+ N + CMF	
	$500 \text{ В} < U_N \leq 690$ В		+ du/dt + N + CMF	
HDP	Обратитесь к изготовителю двигателей.			

* Изготовлены до 1.1.1998

** Для двигателей, изготовленных до 1.1.1998, следует выяснить наличие дополнительных указаний у изготовителя.

Тип двигателя	Номинальное напряжение питания переменного тока	Требования		
		Система изоляции двигателя	Фильтры du/dt и синфазных помех корпорации АВВ и изолированные подшипники двигателя на неприводном конце	
			$P_N < 100$ кВт и типоразмер < IEC 315	$100 \text{ кВт} \leq P_N < 350$ кВт или IEC 315 \leq типоразмер < IEC 400
Двигатели других изготовителей				
С всплывающей и шаблонной обмоткой	$U_N \leq 420$ В	Стандартная: $\dot{U}_{LL} = 1300$ В	-	+ N или CMF
	$420 \text{ В} < U_N \leq 500$ В	Стандартная: $\dot{U}_{LL} = 1300$ В	+ du/dt	+ du/dt + (N или CMF)
		или		
	$500 \text{ В} < U_N \leq 600$ В	Усиленная: $\dot{U}_{LL} = 1600$ В, время нарастания 0,2 мкс	-	+ N или CMF
		или		
	$600 \text{ В} < U_N \leq 690$ В	Усиленная: $\dot{U}_{LL} = 1800$ В	+ du/dt	+ du/dt + (N или CMF)
		или		
	$600 \text{ В} < U_N \leq 690$ В	Усиленная: $\dot{U}_{LL} = 1800$ В	+ du/dt	+ du/dt + N
Усиленная: $\dot{U}_{LL} = 2000$ В, время нарастания 0,3 мкс***		-	N + CMF	

*** Если напряжение промежуточной цепи постоянного тока привода повышается относительно номинального уровня вследствие применения резистивного торможения, проконсультируйтесь у изготовителя двигателя, нужны ли в используемом рабочем диапазоне привода дополнительные выходные фильтры.

Ниже поясняются используемые в таблице сокращения.

Сокращ.	Определение
U_N	Номинальное напряжение сети переменного тока
\hat{U}_{LL}	Пиковое междуфазное напряжение на клеммах двигателя, выдерживаемое изоляцией двигателя
P_N	Номинальная мощность двигателя
du/dt	Фильтр du/dt на выходе привода. Предлагается корпорацией ABB в качестве заказываемого дополнительного комплекта.
CMF	Фильтр синфазных помех. В зависимости от типа привода фильтр CMF предлагается корпорацией ABB в качестве заказываемого дополнительного комплекта.
N	Подшипник на неприводном конце: изолированный подшипник на неприводном конце вала двигателя
Нет	Двигатели такого диапазона мощностей в качестве стандартных не поставляются. Обратитесь к изготовителю двигателей.

Дополнительные требования для взрывобезопасных (EX) двигателей

Если используется взрывобезопасный (EX) двигатель, следуйте правилам, указанным в приведенной выше таблице технических требований. Кроме того, относительно любых других требований обращайтесь к изготовителю.

Дополнительные требования к двигателям ABB всех типов, кроме M2_, M3_, M4_, HX_ и AM_

Для выбора используйте критерии, указанные для двигателей других изготовителей (не ABB).

Дополнительные требования по применению торможения

Когда двигатель тормозит механическое оборудование, напряжение в промежуточной цепи постоянного тока увеличивается, при этом эффект подобен увеличению напряжения питания двигателя на 20 %. Рассмотрим этот рост напряжения при определении требований к изоляции двигателя, если двигатель будет тормозиться в течение значительной части рабочего времени.

Пример. Изоляция двигателя, подключенного к приводу с напряжением питания 400 В~, должна быть выбрана из расчета напряжения питания привода 480 В.

Дополнительные требования к двигателям АВВ повышенной мощности и класса защиты IP23

Номинальная выходная мощность двигателей повышенной мощности больше указанной в стандарте EN 50347 (2001) для конкретного типоразмера. В приведенной ниже таблице указаны требования для серии двигателей АВВ с всыпной обмоткой (например, М3АА, М3АР и М3ВР).

Номинальное напряжение сети переменного тока	Требования			
	Система изоляции двигателя	Фильтры du/dt и синфазных помех корпорации АВВ и изолированные подшипники двигателя на неприводном конце		
		$P_N < 100$ кВт	$100 \text{ кВт} \leq P_N < 200$ кВт	$P_N \geq 200$ кВт
$U_N \leq 500$ В	Стандартная	-	+ N	+ N + CMF
$500 \text{ В} < U_N \leq 600$ В	Стандартная	+ du/dt	+ du/dt + N	+ du/dt + N + CMF
	или			
$600 \text{ В} < U_N \leq 690$ В	Усиленная	-	+ N	+ N + CMF
	Усиленная	+ du/dt	+ du/dt + N	+ du/dt + N + CMF

Дополнительные требования к двигателям повышенной мощности и класса защиты IP23 других изготовителей (не ABB).

Номинальная выходная мощность двигателей повышенной мощности больше указанной в стандарте EN 50347 (2001) для конкретного типоразмера. В приведенной ниже таблице указаны требования для двигателей с всыпной обмоткой и шаблонной обмоткой других изготовителей (не ABB).

Номинальное напряжение сети переменного тока	Требования		
	Система изоляции двигателя	Фильтр du/dt ABB, изолированный подшипник (на стороне N) и фильтр синфазных помех ABB	
		$P_N < 100$ кВт или типоразмер < IEC 315	$100 \text{ кВт} \leq P_N < 350$ кВт или IEC 315 \leq типоразмер < IEC 400
$U_N \leq 420$ В	Стандартная: $\dot{U}_{LL} = 1300$ В	+ N или CMF	+ N + CMF
$420 \text{ В} < U_N \leq 500$ В	Стандартная: $\dot{U}_{LL} = 1300$ В	+ du/dt + (N или CMF)	+ du/dt + N + CMF
	или Усиленная: $\dot{U}_{LL} = 1600$ В, время нарастания 0,2 мкс	+ N или CMF	+ N + CMF
$500 \text{ В} < U_N \leq 600$ В	Усиленная: $\dot{U}_{LL} = 1600$ В	+ du/dt + (N или CMF)	+ du/dt + N + CMF
	или Усиленная: $\dot{U}_{LL} = 1800$ В	+ N или CMF	+ N + CMF
$600 \text{ В} < U_N \leq 690$ В	Усиленная: $\dot{U}_{LL} = 1800$ В	+ du/dt + N	+ du/dt + N + CMF
	Усиленная: $\dot{U}_{LL} = 2000$ В, время нарастания 0,3 мкс***	N + CMF	N + CMF

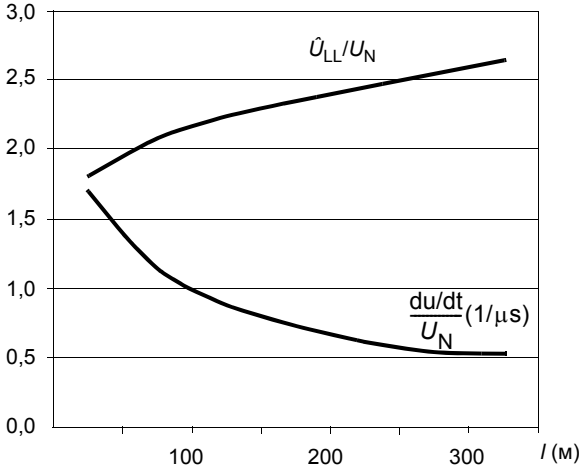
*** Если напряжение промежуточной цепи постоянного тока привода повышается относительно номинального уровня вследствие применения резистивного торможения, проконсультируйтесь у изготовителя двигателя, нужны ли в используемом рабочем диапазоне привода дополнительные выходные фильтры.

Дополнительные данные для расчета времени нарастания и пикового междуфазного напряжения

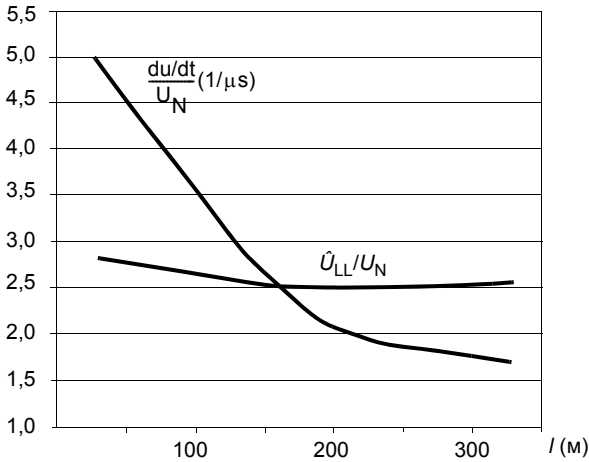
Вычисление фактического пикового напряжения и времени нарастания напряжения с учетом фактической длины кабеля производится следующим образом:

- Междуфазное пиковое напряжение: определите относительное значение \hat{U}_{LL}/U_N из соответствующего приведенного ниже графика и умножьте его на номинальное напряжение питания (U_N).
 - Время нарастания напряжения: Используя приведенную ниже диаграмму, определите относительные значения \hat{U}_{LL}/U_N и $(du/dt)/U_N$. Умножьте эти значения на номинальное напряжение питания (U_N) и подставьте в уравнение $t = 0,8 \cdot \hat{U}_{LL}/(du/dt)$.
-

A



B



A	Привод с фильтром du/dt
B	Привод без фильтра du/dt
l	Длина кабеля двигателя
\hat{U}_{LL}/U_N	Относительное значение междуфазного пикового напряжения
$(du/dt)/U_N$	Относительное значение du/dt
Примечание. При наличии резисторного торможения значения \hat{U}_{LL} и du/dt выше приблизительно на 20 %.	

Дополнительное замечание по синусным фильтрам

Синус-фильтры защищают систему изоляции двигателя. Поэтому фильтр du/dt можно заменить синусным фильтром. Пиковое межфазное напряжение с синус-фильтром составляет примерно $1,5 \cdot U_N$.

Выбор силовых кабелей

■ Общие правила

Выбор кабеля питания и кабеля двигателя **должен производиться в соответствии с местными нормами и правилами.**

- Выберите кабель, способный работать при номинальном токе привода. Сведения о номинальных токах см. в разделе *Номинальные характеристики* (стр. 148).
- Проводники кабеля должны быть рассчитаны на температуру не менее 70°C в режиме непрерывной работы.
Если приводы типоразмера R3 с дополнительным компонентом +B056 (IP55, UL тип 12) предполагается использовать при температуре окружающей среды выше 39°C (102°F), выберите кабель, у которого максимальная допустимая проводника при непрерывной работе составляет не менее 75°C . Для США см. *Дополнительные требования для США*, стр. 72.
- Индуктивность и импеданс провода/кабеля защитного заземления (заземляющего провода) должны удовлетворять требованиям к напряжению прикосновения, которое может возникать в аварийной ситуации (при коротком замыкании на землю напряжение в точке пробоя не должно превышать предельно допустимое значение).
- Кабель, рассчитанный на напряжение 600 В~, допускается применять при напряжениях до 500 В~. Кабель, рассчитанный на напряжение 750 В~, допускается применять при напряжениях до 600 В~. Для оборудования с номинальным напряжением 690 В~ кабель должен быть рассчитан на номинальное напряжение между проводниками не менее 1 кВ.

Для приводов типоразмеров R5 и больше или двигателей мощностью более 30 кВт используйте симметричный экранированный кабель (см. стр. 71). Для приводов типоразмеров не более R4 и двигателей мощностью не более 30 кВт можно использовать четырехжильный кабель, однако рекомендуется всегда применять симметричный экранированный кабель двигателя. Следует производить 360-градусное заземление экранов кабелей двигателей на обоих концах. Для снижения высокочастотного электромагнитного излучения кабель двигателя и жгут защитного заземления (скрученный экран) должны быть как можно более короткими.

Примечание. Если используется сплошной металлический кабелепровод, экранированный кабель не обязателен. Кабелепровод должен соединяться на обоих концах.

Для подачи напряжения питания допускается четырехпроводная система, однако рекомендуется применять симметричный экранированный кабель.

По сравнению с четырехпроводным кабелем симметричный экранированный кабель обеспечивает меньший уровень электромагнитного излучения всей приводной системы, меньшую нагрузку на изоляцию двигателя, меньшие подшипниковые токи и меньший износ подшипников.

Защитный проводник всегда должен иметь достаточную проводимость В приведенной ниже таблице указано минимальное сечение защитного проводника в зависимости от размера фазных проводников в соответствии со стандартом IEC 61439-1, когда фазный и защитный проводники выполнены из одинакового металла..

Сечение фазных проводников S (мм ²)	Минимальное сечение соответствующего защитного проводника S_p (мм ²)
$S \leq 16$	S
$16 < S \leq 35$	16
$35 < S$	$S/2$

■ Типовые сечения силовых кабелей

Приведенная ниже таблица содержит типы медных и алюминиевых кабелей с концентрическим медным экраном для приводов с номинальным током.

Тип привода	Типо- размер	IEC ¹⁾		США ²⁾	
		Тип медного кабеля	Тип алюми- ниевое кабеля	Тип медного кабеля	Тип алюми- ниевое кабеля
		мм ²	мм ²	AWG/kcmil	AWG/kcmil
$U_N = 230$ В					
04A6-2	R1	3×1,5	-	14	-
06A6-2	R1	3×1,5	-	14	-
07A5-2	R1	3×1,5	-	14	-
10A6-2	R1	3×1,5	-	14	-
16A8-2	R2	3×6	-	10	-
24A3-2	R2	3×6	-	10	-
031A-2	R3	3×10	-	8	-
046A-2	R4	3×16	3×35	6	-
061A-2	R4	3×25	3×35	4	-
075A-2	R5	3×35	3×50	3	-
087A-2	R5	3×35	3×70	3	-
115A-2	R6	3×50	3×70	1	-
145A-2	R6	3×95	3×120	2/0	-
170A-2	R7	3×120	3×150	3/0	-
206A-2	R7	3×150	3×240	250 MCM	-

Тип привода ACS880-01-	Типо-размер	IEC ¹⁾		США ²⁾	
		Тип медного кабеля	Тип алюминиевого кабеля	Тип медного кабеля	Тип алюминиевого кабеля
		мм ²	мм ²	AWG/kcmil	AWG/kcmil
274A-2	R8	2 × (3×95) ³⁾	2 × (3×120)	2 × 3/0	-
$U_N = 400 \text{ В}$					
02A4-3	R1	3×1,5	-	14	-
03A3-3	R1	3×1,5	-	14	-
04A0-3	R1	3×1,5	-	14	-
05A6-3	R1	3×1,5	-	14	-
07A2-3	R1	3×1,5	-	14	-
09A4-3	R1	3×1,5	-	14	-
12A6-3	R1	3×1,5	-	14	-
017A-3	R2	3×6	-	10	-
025A-3	R2	3×6	-	10	-
032A-3	R3	3×10	-	8	-
038A-3	R3	3×10	-	8	-
045A-3	R4	3×16	3×35	6	-
061A-3	R4	3×25	3×35	4	-
072A-3	R5	3×35	3×50	3	-
087A-3	R5	3×35	3×70	3	-
105A-3	R6	3×50	3×70	1	-
145A-3	R6	3×95	3×120	2/0	-
169A-3	R7	3×120	3×150	3/0	-
206A-3	R7	3×150	3×240	250 MCM	-
246A-3	R8	2 × (3×70) ³⁾	2 × (3×95)	300 MCM	-
293A-3	R8	2 × (3×95) ³⁾	2 × (3×120)	2 × 3/0	-
363A-3	R9	2 × (3×120)	2 × (3×185)	2 × 4/0	-
430A-3	R9	2 × (3×150)	2 × (3×240)	2 × 250 MCM	-
$U_N = 500 \text{ В}$					
02A1-5	R1	3×1,5	-	14	-
03A0-5	R1	3×1,5	-	14	-
03A4-5	R1	3×1,5	-	14	-
04A8-5	R1	3×1,5	-	14	-
05A2-5	R1	3×1,5	-	14	-
07A6-5	R1	3×1,5	-	14	-
11A0-5	R1	3×1,5	-	14	-
014A-5	R2	3×6	-	10	-
021A-5	R2	3×6	-	10	-
027A-5	R3	3×10	-	8	-
034A-5	R3	3×10	-	8	-
040A-5	R4	3×16	3×25	6	-
052A-5	R4	3×25	3×25	4	-
065A-5	R5	3×35	3×35	3	-
077A-5	R5	3×35	3×50	3	-

Тип привода ACS880-01-	Типо-размер	IEC ¹⁾		США ²⁾	
		Тип медного кабеля	Тип алюминиевого кабеля	Тип медного кабеля	Тип алюминиевого кабеля
		мм ²	мм ²	AWG/kcmil	AWG/kcmil
096A-5	R6	3×50	3×70	1	-
124A-5	R6	3×95	3×95	2/0	-
156A-5	R7	3×120	3×150	3/0	-
180A-5	R7	3×150	3×185	250 MCM	-
240A-5	R8	2 × (3×70) ³⁾	2 × (3×95)	300 MCM	-
260A-5	R8	2 × (3×70) ³⁾	2 × (3×95)	2 × 2/0	-
302A-5	R9	2 × (3×95)	2 × (3×120)	2 × 3/0	-
361A-5	R9	2 × (3×120)	2 × (3×185)	2 × 250 MCM	-
414A-5	R9	2 × (3×150)	2 × (3×240)	2 × 250 MCM	-
$U_N = 690 \text{ В}$					
07A3-7	R5	3×1,5	-	14	12
09A8-7	R5	3×1,5	-	14	12
14A2-7	R5	3×2,5	-	14	12
018A-7	R5	3×4	-	12	10
022A-7	R5	3×6	-	10	8
026A-7	R5	3×10	3×25	8	6
035A-7	R5	3×10	3×25	8	6
042A-7	R5	3×16	3×25	6	4
049A-7	R5	3×16	3×25	6	4
061A-7	R6	3×25	3×35	4	3
084A-7	R6	3×35	3×50	3	2
098A-7	R7	3×50	3×70	2	1/0
119A-7	R7	3×70	3×95	1/0	3/0
142A-7	R8	3×95 ³⁾	3×120	2/0	4/0
174A-7	R8	3×120 ³⁾	2 × (3×70)	4/0	300
210A-7	R9	3×185	2 × (3×95)	300 MCM	2 × 3/0
271A-7	R9	3×240	2 × (3×120)	400 MCM	2 × 4/0

3AXD00000588487

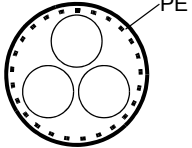
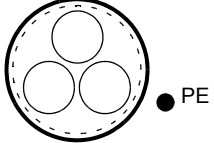
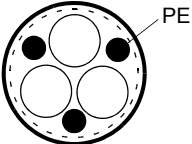
- 1) Сечение кабеля рассчитано исходя из следующих условий: укладка в лоток не более 9 кабелей в ряд, не более трех лотков лестничного типа друг на друга, температура воздуха 30 °С, изоляция ПВХ, температура поверхности 70 °С (EN 60204-1 и IEC 60364-5-52/2001). Параметры кабелей для других условий должны соответствовать требованиям местных нормативов по технике безопасности, напряжению питания и номинальному току привода. Относительно обычных размеров кабелей см. также стр. 191.
- 2) Сечение кабеля рассчитано по таблице NEC 310-16 для медных кабелей, температура изоляции кабеля 75 °С, температура воздуха 40 °С. Не более трех токопроводящих проводников в кабельном канале или кабеле либо проводник заземления (непосредственно проложенный). Параметры кабелей для других условий должны соответствовать требованиям местных нормативов по технике безопасности, напряжению питания и номинальному току привода. Относительно обычных размеров кабелей см. также стр. 192.

- 3) Наибольший размер кабеля для соединительных клемм в приводе типоразмера R8: $2 \times (3 \times 150)$. Если тип клемм изменен, а коробка ввода кабелей не используется, наибольшим возможным размером кабеля будет 3×240 или 400 МСМ.




■ Рекомендуемые типы силовых кабелей

Ниже представлены типы силовых кабелей, рекомендуемые для использования с приводами и запрещенные для этих целей.

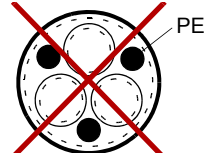
Рекомендуемые типы силовых кабелей

	<p>Симметричный экранированный кабель с тремя фазными проводниками и концентрическим проводником защитного заземления (PE) в качестве экрана. Экран должен соответствовать требованиям стандарта IEC 61439-1 (см. стр. 67). Проверьте допустимость применения по местным/национальным электротехническим нормативам.</p>
	<p>Симметричный экранированный кабель с тремя фазными проводниками и концентрическим проводником защитного заземления (PE) в качестве экрана. Необходим отдельный провод заземления, если экран не соответствует требованиям стандарта IEC 61439-1, см. стр. 67.</p>
	<p>Симметричный экранированный кабель с тремя фазными проводниками, симметрично расположенный провод заземления и экран. PE-проводник должен соответствовать требованиям стандарта IEC 61439-1.</p>

Типы силовых кабелей ограниченного применения

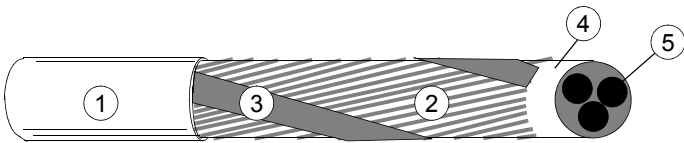
	<p>Четырехпроводная система (три фазных проводника и защитный проводник на кабельном лотке) не допускается для подключения двигателя (допускается для подключения входа привода).</p>
	<p>Четырехпроводная система (три фазных проводника и проводник защитного заземления в ПВХ-трубке) допускается для подключения входа привода и двигателя при сечении фазных проводников менее 10 мм^2 или двигателей мощностью $\leq 30 \text{ кВт}$ (40 л. с.). В США не допускается.</p>
	<p>Гофрированный кабель или кабель в тонкостенной металлической трубке (EMT) с тремя фазными проводниками и защитным проводником допускается для подключения двигателя при сечении фазных проводников менее 10 мм^2 или двигателей мощностью $\leq 30 \text{ кВт}$ (40 л. с.).</p>

Типы силовых кабелей, запрещенные для применения

	<p>Симметричный экранированный кабель с индивидуальным экраном для каждого фазного проводника не разрешается использовать для подключения входа привода и двигателя ни при каком размере кабеля.</p>
---	--

■ Экран кабеля двигателя

Если экран кабеля двигателя используется в качестве единственного проводника защитного заземления двигателя, убедитесь, что проводимость экрана достаточна. См. подраздел *Общие правила* выше или стандарт IEC 61439-1. Для эффективного подавления излучаемых и кондуктивных радиочастотных помех проводимость экрана кабеля должна составлять не менее 1/10 проводимости фазного проводника. Эти требования легко выполняются при использовании медного или алюминиевого экрана. Ниже приведены минимальные требования к экрану кабеля двигателя для привода. Экран состоит из концентрического слоя медных проводников и навитой с зазором медной ленты или медного провода. Чем лучше и плотнее экран, тем ниже уровень излучения и слабее подшипниковые токи.

	<table border="1"> <tr> <td data-bbox="82 933 151 965">1</td> <td data-bbox="151 933 980 965">Изоляционная оболочка</td> </tr> <tr> <td data-bbox="82 965 151 997">2</td> <td data-bbox="151 965 980 997">Экран из медной проволоки</td> </tr> <tr> <td data-bbox="82 997 151 1029">3</td> <td data-bbox="151 997 980 1029">Внутренняя изоляция</td> </tr> <tr> <td data-bbox="82 1029 151 1061">4</td> <td data-bbox="151 1029 980 1061">Внутренняя изоляция</td> </tr> <tr> <td data-bbox="82 1061 151 1096">5</td> <td data-bbox="151 1061 980 1096">Жила кабеля</td> </tr> </table>	1	Изоляционная оболочка	2	Экран из медной проволоки	3	Внутренняя изоляция	4	Внутренняя изоляция	5	Жила кабеля
1	Изоляционная оболочка										
2	Экран из медной проволоки										
3	Внутренняя изоляция										
4	Внутренняя изоляция										
5	Жила кабеля										

■ Дополнительные требования для США

При отсутствии металлического кабелепровода в качестве кабеля двигателя рекомендуется использовать кабель типа MC со сплошной гофрированной алюминиевой броней с симметричными проводниками заземления или экранированный силовой кабель. В Северной Америке для оборудования с номинальным напряжением до 500 В~ допускается применение кабеля, рассчитанного на напряжение 600 В~. Если напряжение выше 500 В~ (и ниже 600 В~), требуется кабель, рассчитанный на напряжение 1000 В~. Для приводов, номинальный ток которых превышает 100 А, силовой кабель должен быть рассчитан на температуру 75 °С.

Кабелепровод

Отдельные части кабелепровода должны быть соединены друг с другом. Используйте стыки с заземляющим проводником, присоединенным к обеим соединяемым частям кабелепровода. Кроме того, кабелепровод должен быть подсоединен к корпусам привода и двигателя. Для кабелей питания, двигателя, тормозного резистора и цепей управления следует использовать отдельные кабелепроводы. Когда используется кабелепровод, кабель типа MC со сплошной гофрированной алюминиевой броней или экранированный кабель применять не требуется. Во всех случаях обязателен отдельный кабель заземления.

Примечание. Запрещается прокладывать в одном кабелепроводе кабели двигателя более чем одного привода.

Бронированный кабель / экранированный силовой кабель

Шестижильные кабели (3 фазных проводника и 3 проводника заземления) типа MC со сплошной гофрированной алюминиевой броней и симметричным заземлением поставляются следующими изготовителями (в скобках приведены их торговые наименования):

- Anixter Wire & Cable (Philsheath)
- BICC General Corp (Philsheath)
- Rockbestos Co. (Gardex)
- Oaknite (CLX).

Экранированные силовые кабели поставляются компаниями Belden, LAPPKABEL (ÖLFLEX) и Pirelli.

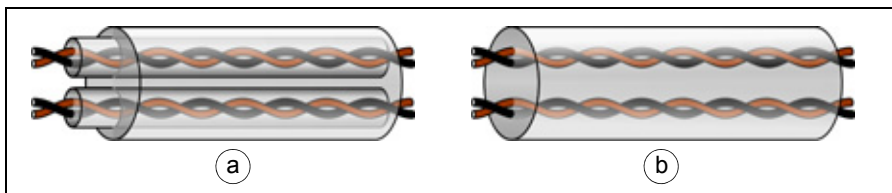
Выбор кабелей управления

■ Экранирование

Все кабели управления должны быть экранированными.

Для аналоговых сигналов следует использовать кабель типа «витая пара» с двойным экраном. Кабель такого типа рекомендуется также и для подключения сигналов импульсного энкодера. Каждый сигнал должен быть подключен с помощью отдельной экранированной пары. Не следует использовать один общий провод для разных аналоговых сигналов.

Для низковольтных цифровых сигналов лучше всего подходит кабель с двойным экраном (рисунок «а» ниже), однако можно использовать и кабель типа «витая пара» с одним экраном (b).



■ Сигналы в отдельных кабелях

Аналоговые и цифровые сигналы следует передавать отдельными экранированными кабелями.

Не допускается передача сигналов 24 В= и 115/230 В~ по одному кабелю.

■ Сигналы, которые разрешается передавать в одном кабеле

Для сигналов релейных выходов (при условии, что напряжение сигнала не превышает 48 В) можно использовать тот же кабель, что и для цифровых входных сигналов. Для подключения релейных сигналов следует применять «витые пары».

■ Тип кабеля для реле

Корпорация ABB рекомендует использовать кабели с экраном в виде металлической оплетки (например, ÖLFLEX, выпускаемый компанией LAPPKABEL, Германия).

■ Длина и тип кабелей для панели управления

При дистанционном использовании длина кабеля для подключения панели управления к приводу не должна превышать 3 м. Тип кабеля: экранированный соединительный кабель Ethernet категории 5е или выше с разъемами RJ-45.

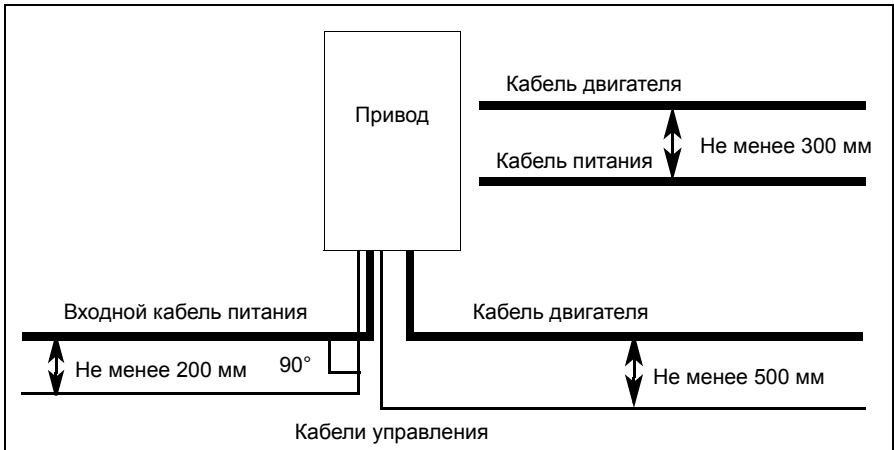
Прокладка кабелей

Кабель двигателя следует прокладывать на расстоянии от остальных кабелей. Кабели двигателей нескольких приводов можно укладывать параллельно и рядом друг с другом. Кабель двигателя, кабель питания и кабели управления рекомендуется прокладывать на разных кабельных лотках. В целях снижения уровня электромагнитных помех, вызванных резкими изменениями выходного напряжения привода, не следует прокладывать кабель двигателя параллельно другим кабелям на протяженных участках.

Пересечение кабелей управления и силовых кабелей следует выполнять под углом как можно более близким к 90°. Не допускается прокладка посторонних кабелей через привод.

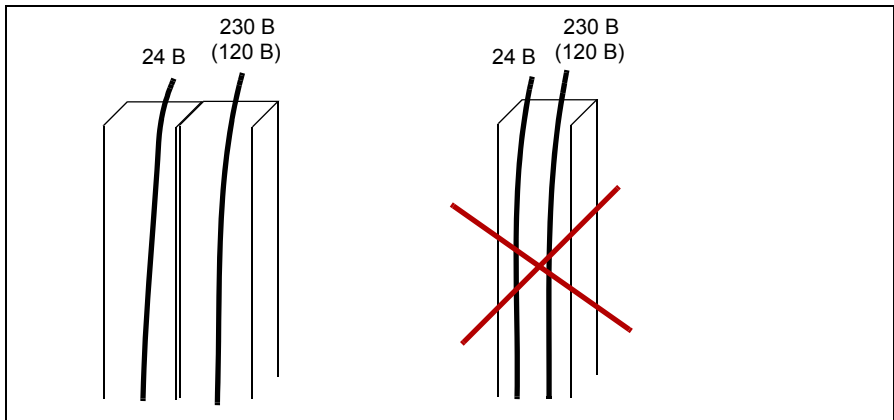
Кабельные лотки должны иметь хорошую электрическую связь друг с другом и с проводниками заземления. Для улучшения выравнивания потенциала можно использовать системы алюминиевых кабельных лотков.

Ниже представлена схема прокладки кабелей.



■ Отдельные кабелепроводы кабелей управления

Кабели управления на 24 В и 230 В (120 В) прокладывают в отдельных каналах, если кабели на 24 В не имеют изоляции, рассчитанной на 230 В (120 В), или не изолируются с помощью оболочки, рассчитанной на 230 В (120 В).



■ Непрерывный экран для кабеля двигателя и оборудования, подключаемого к кабелю двигателя

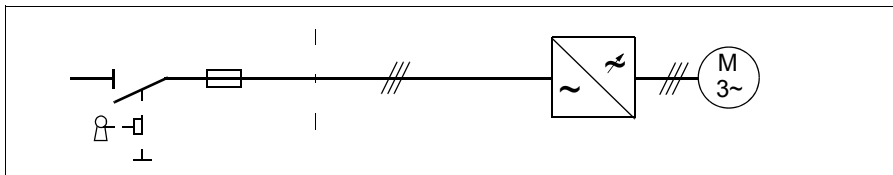
Для снижения уровня помех в том случае, когда к кабелю двигателя между приводом и двигателем подключены защитные выключатели, контакторы, распределительные коробки или другое оборудование:

- Европейский союз: установите оборудование в металлический корпус с 360-градусным заземлением экранов входных и выходных кабелей или соедините экраны кабелей иным способом.
- США: установите оборудование в металлический корпус таким образом, чтобы кабелепровод или экран кабеля двигателя не имели разрывов на всем протяжении от привода до двигателя.

Защита от перегрева и короткого замыкания

■ Защита привода и входного кабеля питания от короткого замыкания

Защита привода и входного кабеля с плавкими предохранителями производится следующим образом:



Подберите плавкие предохранители в соответствии с указаниями, приведенными в главе [Технические характеристики](#). Предохранители обеспечат защиту входного кабеля при коротких замыканиях, ограничат повреждения привода и исключат повреждение находящегося рядом оборудования в случае короткого замыкания внутри привода.

Автоматические выключатели

Характеристики защиты автоматических выключателей зависят от их типа, конструкции и настроек. Имеются также ограничения, связанные с током короткого замыкания питающей сети. Выбрать тип автоматического выключателя, когда известны характеристики питающей сети, вам поможет местный представитель корпорации ABB.

Примечание. Для использования в США: запрещается использовать автоматические выключатели без плавких предохранителей.



ПРЕДУПРЕЖДЕНИЕ! Вне зависимости от изготовителя, принцип действия и конструкция автоматических выключателей таковы, что в случае короткого замыкания горячие ионизированные газы могут выходить из корпуса выключателя. В целях обеспечения безопасности необходимо уделять особое внимание монтажу и размещению выключателей. Соблюдайте указания изготовителя.

Корпорация АВВ провела испытания данных выключателей с приводом. С другими автоматическими выключателями должны использоваться плавкие предохранители.

Тип привода ACS880-01-	Типо- размер	Миниатюрный автоматический выключатель АВВ		Выключатель в литом корпусе (Tmax) АВВ	
		Тип	кА ¹⁾	Тип	кА ¹⁾
$U_N = 230 В$					
04A6-2	R1	S 203 M/P-B/C 6	5	-	-
06A6-2	R1	S 203 M/P-B/C 6	5	-	-
07A5-2	R1	S 203 M/P-B/C 16	5	-	-
10A6-2	R1	S 203 M/P-B/C 16	5	-	-
16A8-2	R2	S 203 M/P-B/C 20	5	-	-
24A3-2	R2	S 203 M/P-B/C 32	5	-	-
031A-2	R3	S 203 M/P-B/C 50	5	-	-
046A-2	R4	S 803 S-B/C 75	10	-	-
061A-2	R4	S 803 S-B/C 80	10	-	-
075A-2	R5	S 803 S-B/C 125	10	1SDA067918R1	65
087A-2	R5	S 803 S-B/C 125	10	1SDA067918R1	65
115A-2	R6	-	-	1SDA067918R1	65
145A-2	R6	-	-	1SDA068555R1	65
170A-2	R7	-	-	1SDA068555R1	65
206A-2	R7	-	-	1SDA054141R1	65
274A-2	R8	-	-	1SDA054141R1	65
$U_N = 400 В$					
02A4-3	R1	S 203 M/P-B/C 6	5	-	-
03A3-3	R1	S 203 M/P-B/C 6	5	-	-
04A0-3	R1	S 203 M/P-B/C 6	5	-	-
05A6-3	R1	S 203 M/P-B/C 10	5	-	-
07A2-3	R1	S 203 M/P-B/C 13	5	-	-
09A4-3	R1	S 203 M/P-B/C 13	5	-	-
12A6-3	R1	S 203 M/P-B/C 20	5	-	-
017A-3	R2	S 203 M/P-B/C 25	5	-	-
025A-3	R2	S 203 M/P-B/C 32	5	-	-
032A-3	R3	S 203 M/P-B/C 50	5	-	-

Тип привода ACS880-01-	Типо- размер	Миниатюрный автоматический выключатель АBB		Выключатель в литом корпусе (Тmax) АBB	
		Тип	кА ¹⁾	Тип	кА ¹⁾
038А-3	R3	S 203 M/P-B/C 63	5	-	-
045А-3	R4	S 803 S-B/C 63	10	-	-
061А-3	R4	S 803 S-B/C 75	10	-	-
072А-3	R5	S 803 S-B/C 125	10	1SDA067918R1	65
087А-3	R5	S 803 S-B/C 125	10	1SDA067918R1	65
105А-3	R6	-	-	1SDA068555R1	65
145А-3	R6	-	-	1SDA068555R1	65
169А-3	R7	-	-	1SDA068555R1	65
206А-3	R7	-	-	1SDA054141R1	65
246А-3	R8	-	-	1SDA054365R1	65
293А-3	R8	-	-	1SDA054420R1	65
363А-3	R9	-	-	1SDA054420R1	65
430А-3	R9	-	-	1SDA054420R1	65
U_N = 500 В					
02А1-5	R1	S 803 S-B/C 6	10	-	-
03А0-5	R1	S 803 S-B/C 6	10	-	-
03А4-5	R1	S 803 S-B/C 6	10	-	-
04А8-5	R1	S 803 S-B/C 10	10	-	-
05А2-5	R1	S 803 S-B/C 13	10	-	-
07А6-5	R1	S 803 S-B/C 13	10	-	-
11А0-5	R1	S 803 S-B/C 20	10	-	-
014А-5	R2	S 803 S-B/C 25	10	-	-
021А-5	R2	S 803 S-B/C 32	10	-	-
027А-5	R3	S 803 S-B/C 50	10	-	-
034А-5	R3	S 803 S-B/C 63	10	-	-
040А-5	R4	S 803 S-B/C 63	10	-	-
052А-5	R4	S 803 S-B/C 75	10	-	-
065А-5	R5	S 803 S-B/C 125	10	1SDA067918R1	65
077А-5	R5	S 803 S-B/C 125	10	1SDA067918R1	65
096А-5	R6	-	-	1SDA068555R1	65
124А-5	R6	-	-	1SDA068555R1	65
156А-5	R7	-	-	1SDA068555R1	65
180А-5	R7	-	-	1SDA054141R1	65
240А-5	R8	-	-	1SDA054420R1	65
260А-5	R8	-	-	1SDA054420R1	65
361А-5	R9	-	-	1SDA054420R1	65
414А-5	R9	-	-	1SDA054420R1	65
U_N = 690 В					
07А3-7	R5	S 803 S-B/C 13	4	1SDA067915R1	18

Тип привода ACS880-01-	Типо- размер	Миниатюрный автоматический выключатель ABB		Выключатель в литом корпусе (Tmax) ABB	
		Тип	кА ¹⁾	Тип	кА ¹⁾
09A8-7	R5	S 803 S-B/C 20	4	1SDA067915R1	18
14A2-7	R5	S 803 S-B/C 25	4	1SDA067915R1	18
018A-7	R5	S 803 S-B/C 32	4	1SDA067916R1	18
022A-7	R5	S 803 S-B/C 50	4	1SDA067916R1	18
026A-7	R5	S 803 S-B/C 63	4	1SDA067916R1	18
035A-7	R5	S 803 S-B/C 63	4	1SDA067916R1	18
042A-7	R5	S 803 S-B/C 80	4	1SDA067917R1	18
				1SDA054069R1	35
049A-7	R5	S 803 S-B/C 80	4	1SDA067917R1	18
				1SDA054069R1	35
061A-7	R6	S 803 S-B/C 125	3	1SDA067918R1	20
				1SDA054070R1	35
084A-7	R6	S 803 S-B/C 125	3	1SDA067918R1	20
				1SDA054070R1	35
098A-7	R7	-	-	1SDA068555R1	20
				1SDA054071R1	35
119A-7	R7	-	-	1SDA068555R1	20
				1SDA054071R1	35
142A-7	R8	-	-	1SDA068555R1	20
				1SDA054071R1	35
174A-7	R8	-	-	1SDA054141R1	35
210A-7	R9	-	-	1SDA054365R1	35
271A-7	R9	-	-	1SDA054420R1	35

3AXD00000588487, 3AXD10000114581

¹⁾ Максимально допустимый расчетный ток короткого замыкания (IEC 61439-1) силовой электросети

■ Защита двигателя и его кабеля от короткого замыкания

В приводе предусмотрена защита двигателя и кабеля двигателя от короткого замыкания (сечения кабелей должны соответствовать номинальному току привода). Дополнительные защитные устройства не требуются.

■ Защита привода, входного кабеля и кабеля двигателя от перегрева

В приводе предусмотрена защита от перегрева как самого привода, так и входных кабелей и кабелей двигателя, при условии, что сечение кабелей соответствуют номинальному току привода. Дополнительные устройства тепловой защиты не требуют.



ПРЕДУПРЕЖДЕНИЕ! Если к приводу подключено несколько двигателей, для защиты каждого двигателя и кабеля двигателя от перегрузки необходимо установить отдельный автоматический выключатель или плавкие предохранители. Защита привода от перегрузки настраивается на общую нагрузку, создаваемую двигателями. При перегрузке в цепи только одного двигателя эта защита может не сработать.

■ Защита двигателя от перегрева

В соответствии с правилами двигатель должен иметь защиту от перегрева, и при обнаружении перегрева он должен обесточиваться. Привод имеет функцию тепловой защиты двигателя, которая защищает двигатель и обесточивает его, когда это необходимо. В зависимости от значения соответствующего параметра привода эта функция контролирует либо расчетную температуру (вычисляемую на основе тепловой модели двигателя), либо фактическую температуру, измеряемую датчиками температуры двигателя. Пользователь может в дальнейшем подстраивать тепловую модель, вводя дополнительные данные двигателя и нагрузки.

Наиболее распространенные датчики температуры:

- двигатели типоразмеров IEC180...225: термореле, например Klixon
- двигатели типоразмеров IEC200...250 и больше: PTC или Pt100.

Более подробные сведения о тепловой защите двигателя, а также о подключении и использовании датчиков температуры см. в руководстве по микропрограммному обеспечению.

Защита привода от замыканий на землю

В привод встроена функция его защиты от замыканий на землю в двигателе и кабеле двигателя. Эта функция не может рассматриваться как средство защиты персонала или защиты от пожара. Функцию защиты от замыканий на землю можно отключить с помощью параметра (см. руководство по микропрограммному обеспечению).

■ Совместимость с устройствами контроля токов нулевой последовательности

Привод совместим с устройствами контроля токов нулевой последовательности типа В.


Примечание. Электромагнитный фильтр привода содержит конденсаторы, подключенные между основной схемой и шасси. Эти конденсаторы, а также длинные кабели двигателя увеличивают ток утечки на землю, что может привести к срабатыванию автоматических выключателей защиты от замыкания на землю.

Подключение приводов к общей системе постоянного тока.

См. документ *ACS880-01 drives and ACS880-04 drive modules common DC systems application guide* (код английской версии 3AUA0000127818).

Функция аварийного останова

Для обеспечения безопасности необходимо установить устройства аварийного останова на каждом посту управления оператора и на всех рабочих местах, где может потребоваться аварийный останов. Для реализации функции безопасного останова можно использовать функцию безопасного отключения крутящего момента привода. См. главу [Функция безопасного отключения крутящего момента](#) на стр. 231.

Примечание. Нажатие кнопки останова () на панели управления приводом не приводит к аварийному останову двигателя или отключению привода от опасного напряжения.

Функция безопасного отключения крутящего момента

См. главу [Функция безопасного отключения крутящего момента](#) на стр. 231.

Реализация функций защиты с модулем FSO

Привод может быть оборудован модулем функций безопасности, установленным на заводе-изготовителе (дополнительный компонент +Q973). Модуль также поставляется в виде комплекта для модернизации Модуль функций защиты обеспечивает возможность реализации таких функций, как безопасное управление торможением (SBC), безопасный останов 1 (SS1), безопасный аварийный останов (SSE), безопасное ограничение скорости (SLS) и безопасная максимальная скорость (SMS).

С завода-изготовителя модуль FSO-xx поставляется со стандартными настройками, используемыми по умолчанию. Монтаж внешней защитной схемы и конфигурирование модуля FSO-xx выполняются изготовителем машины.

Модуль FSO-xx сохраняет подключение стандартной функции безопасного отключения крутящего момента (STO) блока управления приводом. Функцию STO, тем не менее, можно реализовать через модуль FSO-xx с помощью других защитных схем.

Процедура установки модуля функций защиты приведена в разделе [Монтаж модулей функций защиты](#) на стр. 121. Указания по подключению, описание характеристик безопасности и более подробные сведения о дополнительном компоненте приведены в документе *FSO-12 safety functions module user's manual* (код английской версии 3AXD5000015612).

■ Декларация соответствия

См. стр. 204.

Сертифицированная АТЕХ функция безопасного отключения двигателя (доп. устройство +Q971)

При использовании дополнительного компонента +Q971 привод обеспечивает сертифицированное АТЕХ отключение без контактора, используя имеющуюся у привода функцию безопасного отключения крутящего момента. Для получения более подробных сведений обратитесь к документу *ACS880 ATEX-certified Safe disconnection function application guide* (код английской версии 3AUA0000132231). См. также раздел [Снижение характеристик для специальных настроек в программе управления приводом](#) на стр. 160.

Функция подхвата двигателя при потере питания

Функция подхвата двигателя при потере питания реализуется следующим образом:

- Проверьте, что функция подхвата двигателя при потере питания разрешена параметром **30.31 Контроль понижения напряж.** в основной программе управления ACS880.
- Если установка оборудована главным контактором, предотвратите отключение при выключении входного питания. Например, используйте реле задержки (фиксацию) в схеме управления контактора.



ПРЕДУПРЕЖДЕНИЕ! Убедитесь, что перезапуск двигателя на ходу не связан с какой-либо опасностью. В случае сомнений не применяйте функцию подхвата при потере питания.

Использование конденсаторов компенсации коэффициента мощности

Для приводов переменного тока компенсация коэффициента мощности не требуется. Однако при подключении привода к системе с установленными конденсаторами компенсации обратите внимание на следующие ограничения.



ПРЕДУПРЕЖДЕНИЕ! Запрещается подключение к кабелю двигателя (между приводом и двигателем) конденсаторов коррекции коэффициента мощности или фильтров подавления гармоник. Они не предназначены для применения с приводами переменного тока и могут либо вызвать неустраняемое повреждение привода, либо выйти из строя сами.

Если параллельно трем фазам электропитания привода подключены конденсаторы коррекции коэффициента мощности:

1. не подключайте конденсатор большой емкости к линии питания, когда подключен привод. При таком подключении возникают броски напряжения, которые могут привести к отключению или даже к повреждению привода.
2. Если емкостная нагрузка увеличивается/снижается постепенно, когда привод переменного тока подключен к линии питания, обеспечьте достаточно небольшие ступенчатые изменения емкости, чтобы не возникали броски напряжения, которые могут вызвать аварийное отключение привода.
3. Проверьте, подходит ли блок коррекции коэффициента мощности для использования в системах с приводами переменного тока, т. е. с нагрузками, генерирующими гармоники. В таких системах устройство компенсации обычно оснащается защитным дросселем или фильтром подавления гармоник.

Контактор между приводом и двигателем

Реализация управления выходным контактором зависит от выбора режима работы привода. См. также раздел [Байпасное подключение](#) на стр. 84.

Если выбран режим DTC-управления двигателем и двигатель останавливается замедлением, разомкните контактор следующим образом:

1. Подайте на привод команду останова.
4. Дождитесь, пока привод остановит двигатель полностью.
5. Разомкните контактор.

Если выбран режим DTC-управления и двигатель останавливается выбегом или в режиме скалярного управления, разомкните контактор следующим образом:

1. Подайте на привод команду останова.
2. Разомкните контактор.



ПРЕДУПРЕЖДЕНИЕ! Если используется режим управления двигателем DTC, не размыкайте выходной контактор, когда привод управляет двигателем. Прямое управление крутящим моментом двигателя (DTC) отличается очень высоким быстродействием. Оно осуществляется намного быстрее, чем размыкание контактов в контакторе. Если контактор начнет размыкаться, когда привод управляет двигателем, система DTC, поддерживая ток нагрузки, немедленно увеличит выходное напряжение привода до максимального. Это приведет к повреждению контактора, вплоть до полного выгорания.

Байпасное подключение

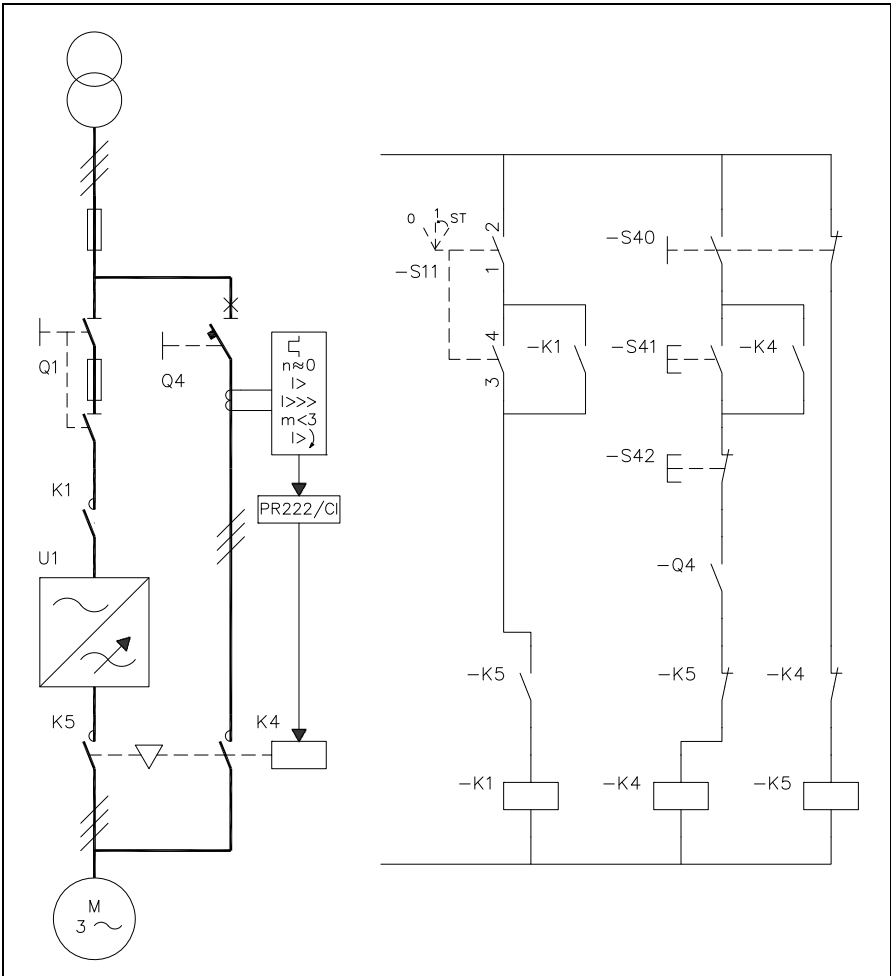
Если требуется обеспечить байпасное подключение, между двигателем и приводом и между двигателем и линией питания следует установить контакторы с механической или электрической взаимоблокировкой. Взаимоблокировка должна обеспечивать невозможность одновременного замыкания контакторов.



ПРЕДУПРЕЖДЕНИЕ! Запрещается подключать выход привода к питающей сети. Такое подключение может повредить привод.

■ Пример байпасного подключения

Ниже показан пример байпасного подключения.



Q1	Главный выключатель привода	S11	Управление включением/выключением главного контактора привода
Q4	Байпасный автоматический выключатель	S40	Выбор источника питания двигателя (привод или непосредственно от сети)
K1	Главный контактор привода	S41	Пуск при подключении двигателя непосредственно к сети
K4	Байпасный контактор	S42	Останов при подключении двигателя непосредственно к сети
K5	Выходной контактор привода		

Переключение питания двигателя от привода на питание непосредственно от сети

1. Остановите привод и двигатель с панели управления привода (привод в режиме местного управления) или внешним сигналом останова (привод в режиме дистанционного управления).
2. Разомкните главный контактор привода с помощью S11.
3. Переключите питание двигателя с привода на сеть с помощью S40.
4. Подождите 10 секунд, чтобы исчезло намагничивание двигателя.
5. Запустите двигатель с помощью S41.

Переключение источника питания двигателя с сети на привод

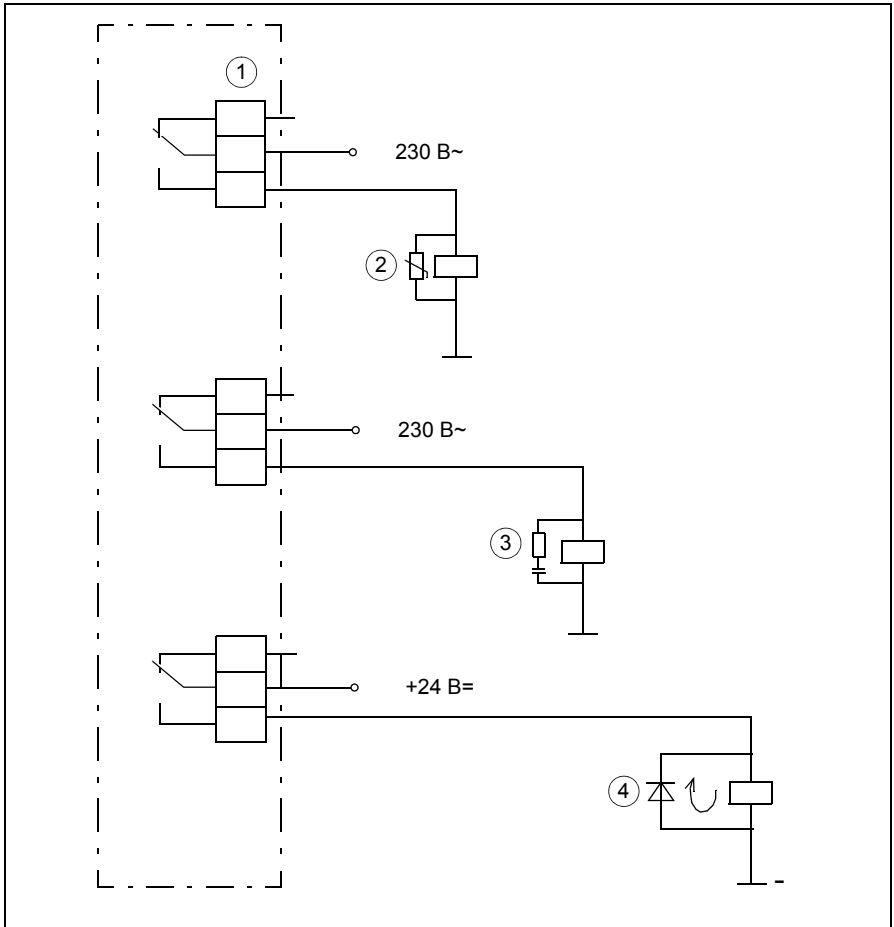
1. Остановите двигатель с помощью S42.
2. Переключите источник питания двигателя: с сети на привод с помощью S40.
3. Замкните главный контактор привода с помощью выключателя S11 (-> переведите его в положение ST на две секунды и оставьте в положении 1).
4. Запустите привод и двигатель с панели управления привода (привод в режиме местного управления) или внешним сигналом пуска (привод в режиме дистанционного управления)

Защита контактов на релейных выходах

При отключении индуктивной нагрузки (реле, контакторы, двигатели) возникают переходные напряжения.

Контакты реле на устройстве управления приводом защищены от выбросов напряжения варисторами (250 В). Помимо этого, для снижения уровня излучаемых помех, возникающих при отключении индуктивной нагрузки, настоятельно рекомендуется применение цепей подавления помех – варисторов, RC-фильтров (для переменного тока) или диодов (для постоянного тока). При отсутствии подавления эти помехи могут попадать по емкостной или индуктивной связи на другие проводники кабеля управления и создавать опасность возникновения сбоев в других компонентах системы.

Устанавливайте элемент защиты как можно ближе к индуктивной нагрузке. Не устанавливайте защитные компоненты на выходах реле.



1) Выходы реле. 2) Варистор. 3) RC-фильтр. 4) Диод.

Подключение датчика температуры двигателя к плате ввода/вывода привода



ПРЕДУПРЕЖДЕНИЕ! Стандарт IEC 60664 требует двойной или усиленной изоляции между элементами, находящимися под напряжением, и поверхностями доступных частей электрооборудования, которые либо не являются электропроводящими, либо являются электропроводящими, но не подключены к защитному заземлению.

Для выполнения этого требования термистор (или аналогичные компоненты) следует подключать к цифровым входам привода одним из трех способов:

1. Обеспечивается двойная или усиленная изоляция между термистором и частями двигателя, находящимися под напряжением.
2. Цепи, подключенные ко всем цифровым и аналоговым входам привода, защищены от прикосновения и изолированы основной изоляцией от других низковольтных цепей (изоляция рассчитана на то же напряжение, что и силовая цепь привода).
3. Используется внешнее термисторное реле. Изоляция этого реле должна быть рассчитана на то же напряжение, что и изоляция силовой цепи привода. Информация о подключении приведена в руководстве по микропрограммному обеспечению.

Соединения описаны в разделе [A11 и A12 в качестве входов \(XAI, XAO\) датчиков Pt100, Pt1000, PTC и KTY84](#) на стр. 111 и в разделе [DI6 \(XDI:6\) в качестве входа датчика PTC](#) на стр. 113.

В этой таблице показано, датчики какого типа можно подключить к модулям расширения входов/выходов и интерфейсным модулям энкодера привода. Для этих модулей требуется двойная или усиленная изоляция между находящимися под напряжением компонентами и поверхностью доступных частей электрооборудования.

Дополнительный модуль	Тип датчика температуры		
	PTC	KTY	Pt100, Pt1000
FIO-11	-	X	X
FEN-xx	X	-	-
FEN-11, FEN-21, FEN-31	X	X	-
FAIO-01	-	X	X

Примечание. Погрешность аналоговых входов блока управления привода при использовании с датчиками Pt100 и Pt1000 составляет 10 °C (50 °F). Если требуется более высокая точность измерений, следует использовать модуль расширения аналоговых входов/выходов FAIO-01 (дополнительный компонент +L525). Он обеспечивает двойную изоляцию.

6

Электрический монтаж

Обзор содержания главы

Эта глава содержит указания по электрическому монтажу привода.

Предупреждения



ПРЕДУПРЕЖДЕНИЕ! К выполнению работ, описанных в этой главе, допускаются только квалифицированные электрики. Выполняйте указания, приведенные в разделе *Инструкция по технике безопасности* в начале данного руководства. Несоблюдение правил техники безопасности может привести к травмам и опасно для жизни.

Проверка изоляции системы



■ Привод

Не выполняйте никаких проверок электрической прочности или сопротивления изоляции компонентов привода, поскольку это может привести к его повреждению. Изоляция между силовой цепью и корпусом каждого привода уже испытана на заводе-изготовителе. Кроме того, в приводе предусмотрены ограничивающие напряжение цепи, которые автоматически срезают испытательное напряжение.

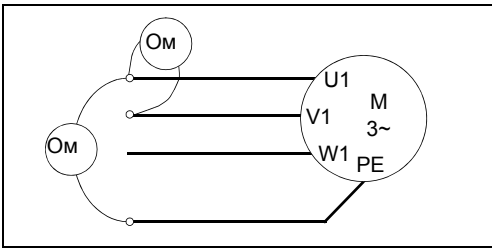
■ Входной кабель питания

Перед подключением сетевого кабеля к приводу проверьте его изоляцию в соответствии с требованиями местных норм и правил.

■ Двигатель и кабель двигателя

Проверка изоляции двигателя и кабеля двигателя выполняется описанным ниже способом.

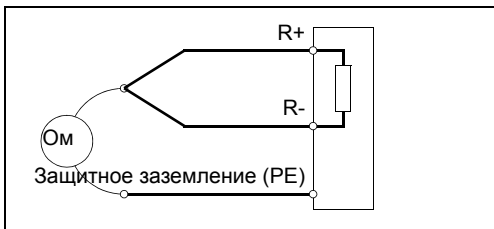
1. Убедитесь, что кабель двигателя отсоединен от выходных клемм привода T1/U, T2/V и T3/W.
2. Измерьте сопротивление изоляции между фазными проводниками, а затем между каждым фазным проводником и проводником защитного заземления, используя контрольное напряжение 1000 В=. Сопротивление изоляции двигателя ABB должно превышать 100 МОм (эталонное значение при 25 °С). Сведения о сопротивлении изоляции других двигателей см. в инструкциях изготовителей. **Примечание.** Наличие влаги внутри корпуса двигателя приводит к снижению сопротивления изоляции. Если имеется подозрение о наличии влаги, просушите двигатель и повторите измерение.



■ Блок тормозных резисторов

Проверьте изоляцию блока тормозных резисторов (если предусмотрен) следующим образом:

1. Убедитесь, что кабель резистора подсоединен к резистору, но отсоединен от выходных клемм привода R+ и R-.
2. Соедините вместе проводники R+ и R- кабеля резистора на конце со стороны привода. Измерьте сопротивление изоляции между соединенными проводниками и проводником защитного заземления (PE), используя измерительное напряжение 1 кВ=. Сопротивление изоляции должно превышать 1 МОм.



Проверка совместимости с системами ИТ (незаземленные сети)

В системе ИТ (незаземленная сеть) не допускается применение ЭМС-фильтров +E200 и +E202. Если в приводе установлен ЭМС-фильтр +E200 или +E202, отсоедините его перед подключением привода к электросети питания. Отверните два винта на корпусе, помеченные как EMC AC и EMC DC. См. документ *EMC filter disconnecting instructions for ACS880-01 drives with filters +E200 and +E202* (код английской версии 3AUA0000125152).

За сведениями о приводах типоразмера R4 обращайтесь в компанию ABB.

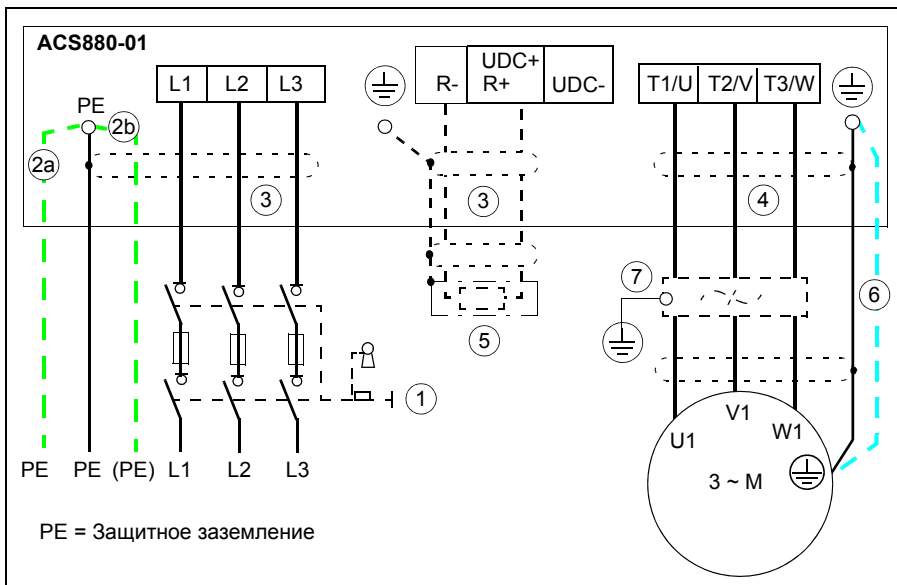


ПРЕДУПРЕЖДЕНИЕ! При подключении привода с ЭМС-фильтром +E200 или +E202 к незаземленной системе электроснабжения (ИТ) или системе электроснабжения с высокоомным (более 30 Ом) заземлением система оказывается подсоединенной к потенциалу земли через конденсаторы ЭМС-фильтра привода. Такая ситуация представляет угрозу безопасности и может привести к повреждению привода.



Подключение силовых кабелей

■ Схема подключения



- | | |
|---|---|
| 1 | Другие варианты см. в разделе <i>Выбор устройства отключения электропитания</i> на стр. 57. |
| 2 | Если проводимость экрана не соответствует требованиям для PE-проводника (см. стр. 67), используйте отдельный заземляющий PE-кабель (2a) или кабель с отдельным PE-проводником (2b). |
| 3 | Если используется экранированный кабель, рекомендуется применять 360-градусное заземление. Заземлите другой конец экрана входного кабеля или проводника защитного заземления на распределительном щите. |
| 4 | Требуется 360-градусное заземление. |
| 5 | Внешний тормозной резистор |
| 6 | Если экран не соответствует требованиям стандарта IIEC 61439-1 (см. стр. 67) и в кабеле отсутствует симметрично расположенный проводник заземления (см. стр. 72), используйте отдельный заземляющий кабель. |
| 7 | Фильтр du/dt или синус-фильтр (по доп. заказу, см. стр. 259). |

Примечание

При подключении двигателя кабелем с проводящим экраном и симметричной структурой проводника заземления подсоедините концы проводника заземления к заземляющей клемме со стороны привода и двигателя.

Не применяйте кабель асимметричной конструкции для питания двигателей мощностью более 30 кВт (см. стр. 67). Подключение четвертого проводника кабеля на стороне двигателя приводит к увеличению токов в подшипниках и, следовательно, к дополнительному износу.

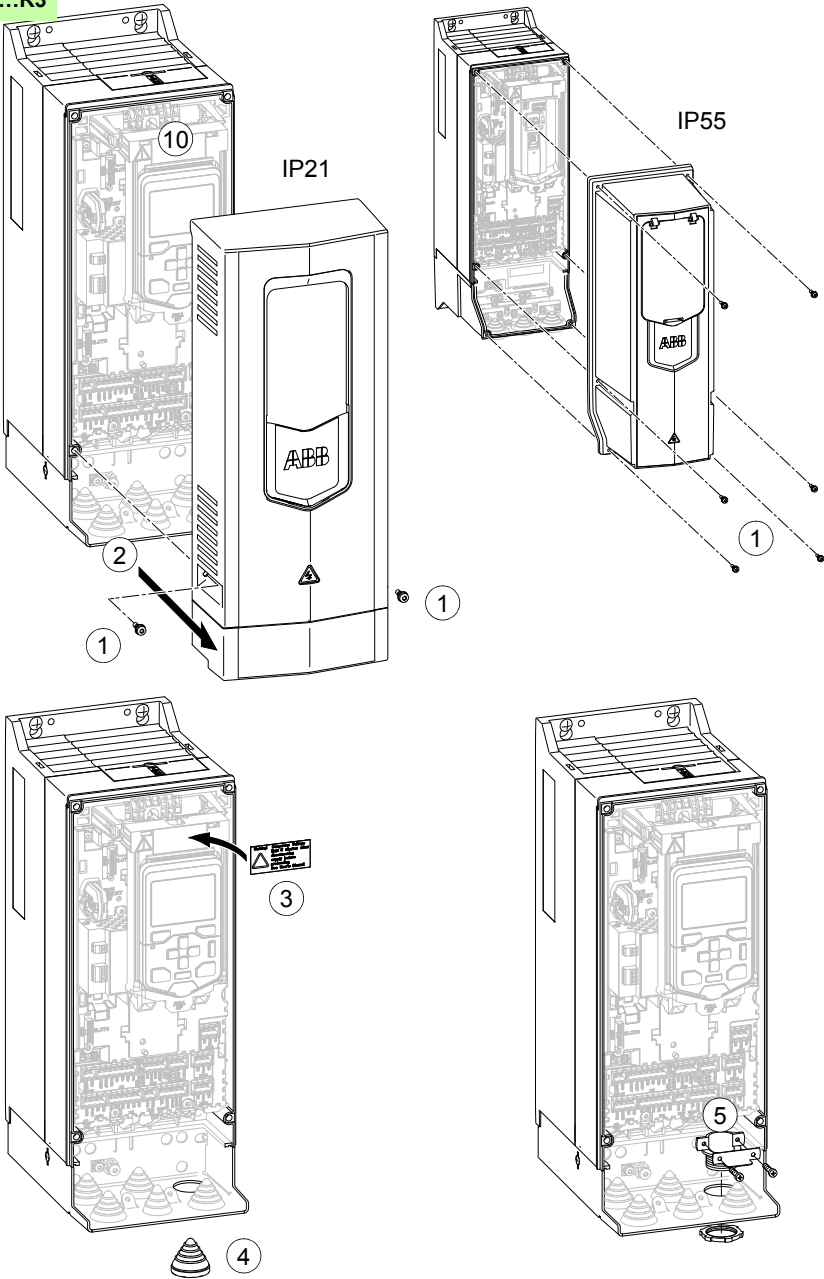
■ Порядок подключения для типоразмеров R1...R3

1. Отверните крепежные винты на боковых сторонах передней крышки.
2. Удалите крышку, сдвигая ее вперед.
3. Прикрепите наклейку с предупреждением об остаточных напряжениях (на местном языке) на монтажную плату панели управления.
4. Удалите резиновые втулки из проходной пластины для ввода подключаемых кабелей.
5. **Блоки IP21:** Прикрепите кабельные соединители (входят в комплект поставки, находятся в пластиковом пакете) к отверстиям для кабелей в проходной пластине.
6. Подготовьте концы входного кабеля и кабеля двигателя, как показано на рисунке. **Примечание.** Обнаженный экран заземляется по окружности (360 градусов).
7. **Блоки IP21:** Заземлите экраны по окружности (360 градусов) в соединителях, зажимая последние на зачищенной части кабеля. **Блоки IP55:** затяните зажимы на зачищенной части кабелей. Будьте осторожны: острые кромки.
8. Подсоедините скрученные экраны силовых кабелей к клеммам заземления.
9. Подключите дополнительный РЕ-проводник (если используется, см. стр. 16) входного кабеля к клемме заземления.
10. Подключите фазные проводники входного кабеля питания к клеммам L1, L2 и L3, а фазные проводники кабеля двигателя — к клеммам T1/U, T2/V и T3/W. Подключите проводники тормозного резистора (при наличии) к клеммам R+ и R-. Затяните винты моментом, указанным на приведенном ниже рисунке.
11. Вставьте полку заземления кабелей управления в коробку ввода кабелей.
12. Механически закрепите кабели за пределами блока.

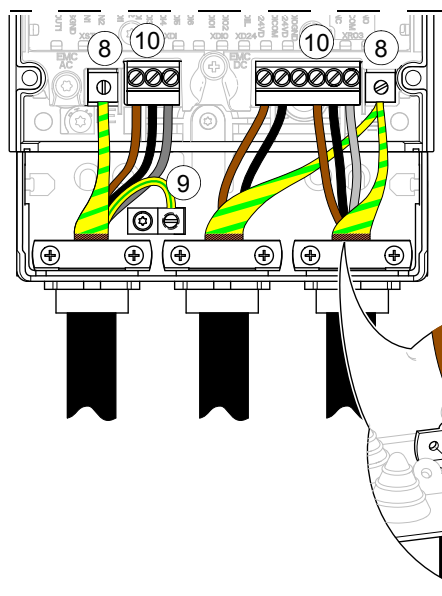
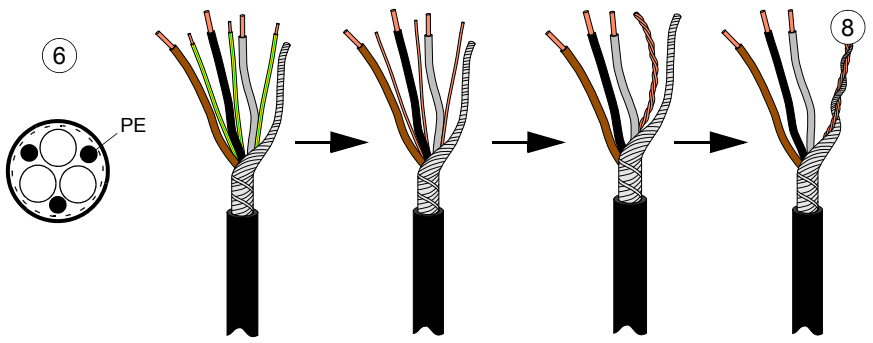
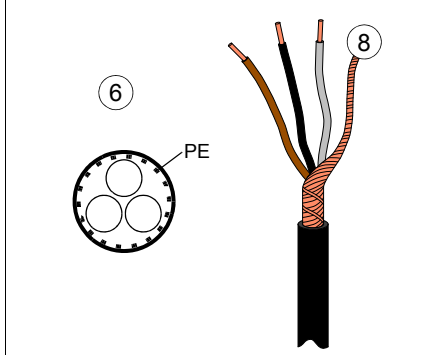
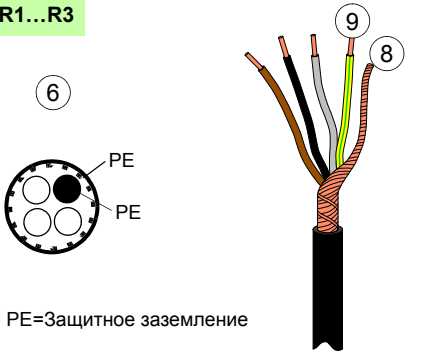
Примечание. Относительно монтажа кабелепровода в США см. краткое руководство по монтажу.




R1...R3

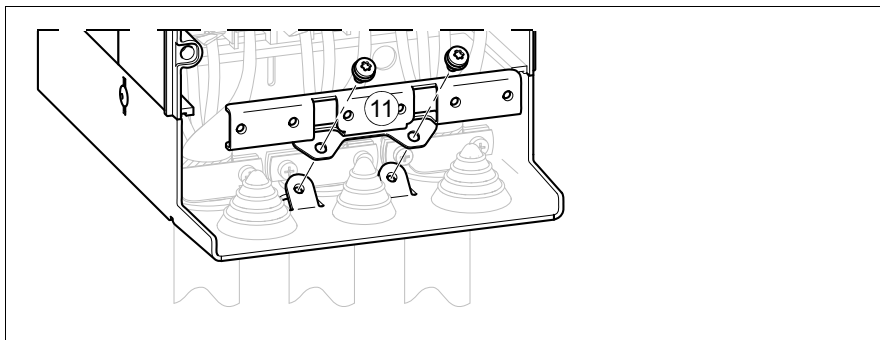


R1...R3



	L1, L2, L3, T1/U, T2/V, T3/W, R-, R+/UDC+, UDC (H·M)	 (H·M)
R1	0,6	1,8
R2	0,6	1,8
R3	1,7	1,8





■ Порядок подключения для типоразмеров R4 и R5

1. Снимите переднюю крышку. Приводы IP21: С помощью отвертки удалите фиксатор (a) и поднимите крышку, начиная снизу (b).
2. Для приводов IP21: Удалите коробку ввода кабелей, отвернув крепежный винт.
3. Для типоразмера R4: Снимите ЭМС-щиток, разделяющий входную и выходную проводку, если это необходимо, чтобы упростить монтаж.
4. Удалите щиток с клемм силовых кабелей, для чего освободите зажимы и поднимите щиток отверткой с боковых сторон (a). Вырубите отверстия в щитке для устанавливаемых кабелей (b).
5. Прикрепите наклейку с предупреждением об остаточных напряжениях (на местном языке) рядом с верхней частью блока управления.
6. Прорежьте надлежащие отверстия в резиновых втулках. Надвиньте втулки на кабели. Пропустите кабели сквозь отверстия в нижней плате и закрепите втулки в отверстиях.
7. Подготовьте концы входного кабеля и кабеля двигателя как показано на рисунке. **Примечание.** Зачищенный экран заземляется по окружности (360 градусов) под зажимом заземления.
8. Заземлите экраны кабелей по окружности (360 градусов) под зажимами заземления. Будьте осторожны: острые кромки.
9. Подключите скрученные экраны кабелей к клеммам заземления.
10. Подключите фазные проводники входного кабеля питания к клеммам L1, L2 и L3, а фазные проводники кабеля двигателя — к клеммам T1/U, T2/V и T3/W. Затяните винты моментом, указанным на приведенном ниже рисунке.

Примечание для алюминиевых кабелей. Перед установкой концов проводников в клеммы нанесите на них пластичную смазку.

Примечание для монтажа кабельного наконечника (типоразмер R5). Отсоедините соединитель и установите кабельный наконечник в клемму следующим образом.

- Отвинтите комбинированный винт, прижимающий соединитель к клемме, и извлеките соединитель.
- Прикрепите кабельный наконечник к проводнику.
- Вставьте кабельный наконечник в клемму. Вставьте гайку и заверните рукой как минимум на два оборота.



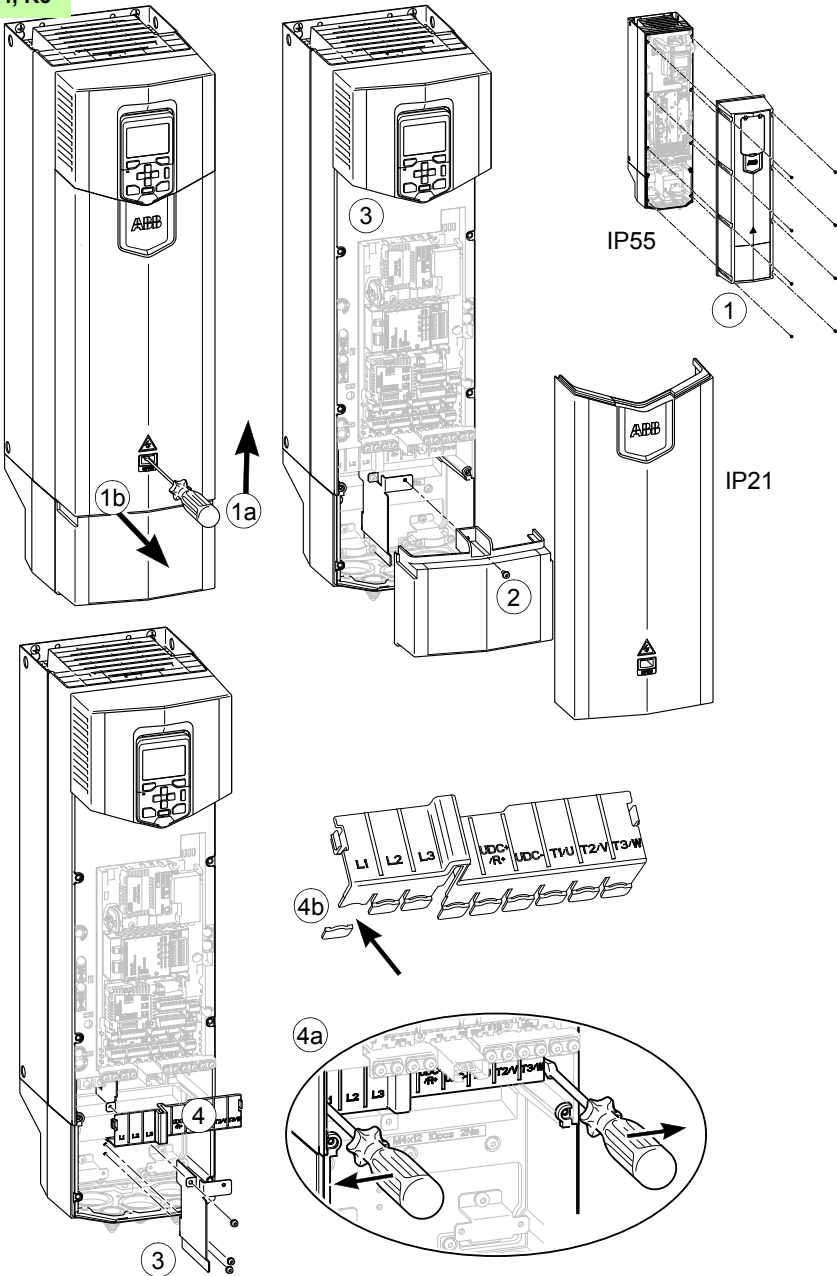
ПРЕДУПРЕЖДЕНИЕ! Прежде чем прибегнуть к использованию инструментов, убедитесь в том, что нет перехлеста резьбы между гайкой и винтом. Перехлест резьбы приведет к повреждению привода и создаст опасную ситуацию.

- Затяните гайку с крутящим моментом 5 Н·м.
11. Установите ЭМС-щиток, разделяющий входные и выходные кабели (если он еще не установлен).
 12. Приводы с дополнительным устройством +D150. Пропустите кабель тормозного резистора через зажимы для кабеля тормозного резистора и кабеля управления. Присоедините проводники к клеммам R+ и R- и затяните моментом, указанным на рисунке.
 13. Возвратите щиток на клеммы питания.
 14. Механически закрепите кабели за пределами блока. Установите резиновые втулки в неиспользуемые отверстия проходной пластины.

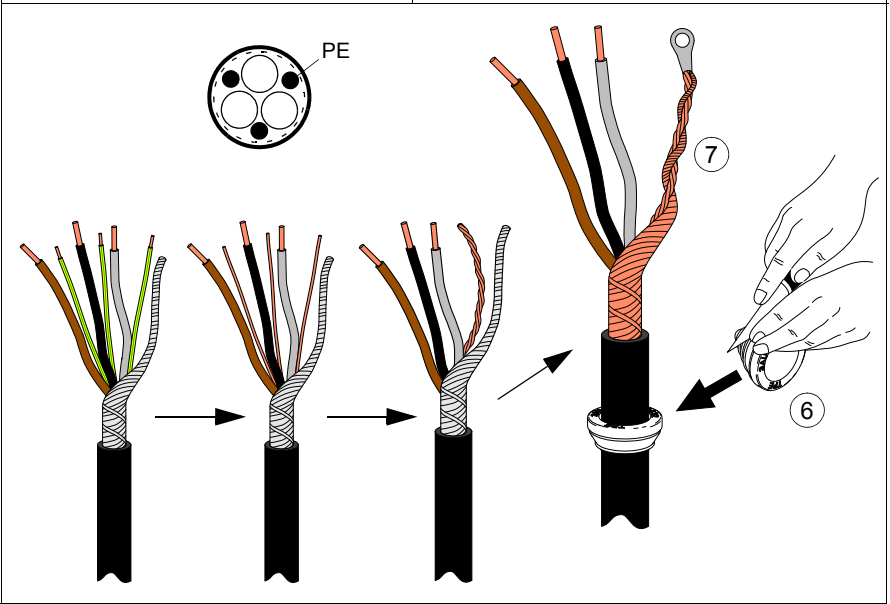
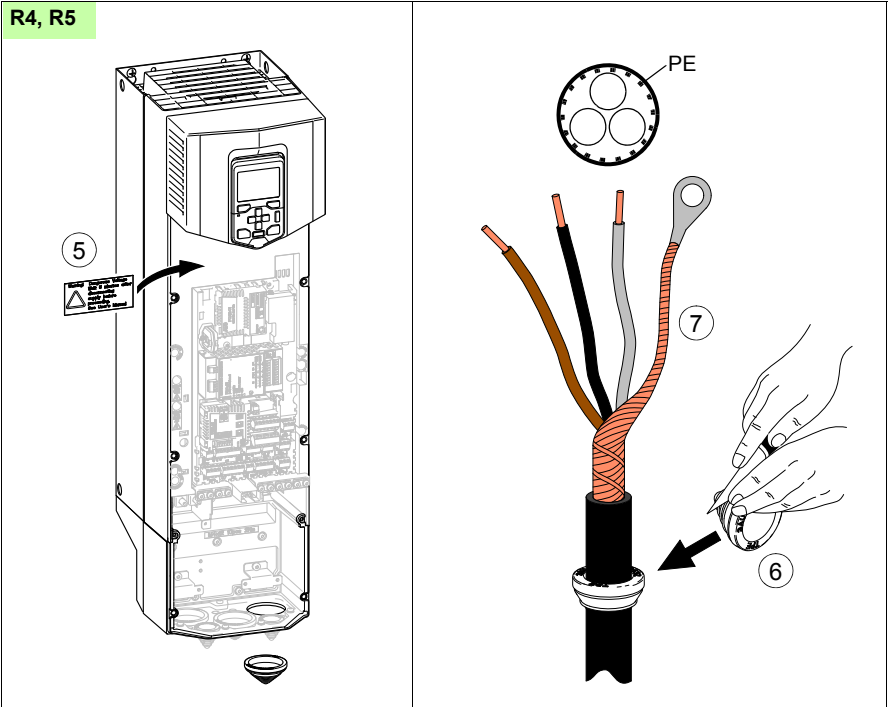
Примечание относительно монтажа разрешенного для применения в США кабелепровода. См. руководство по быстрому монтажу. При необходимости установки кабельного наконечника используйте кабельные наконечники и инструменты, соответствующие требованиям UL. См. стр. [193](#).



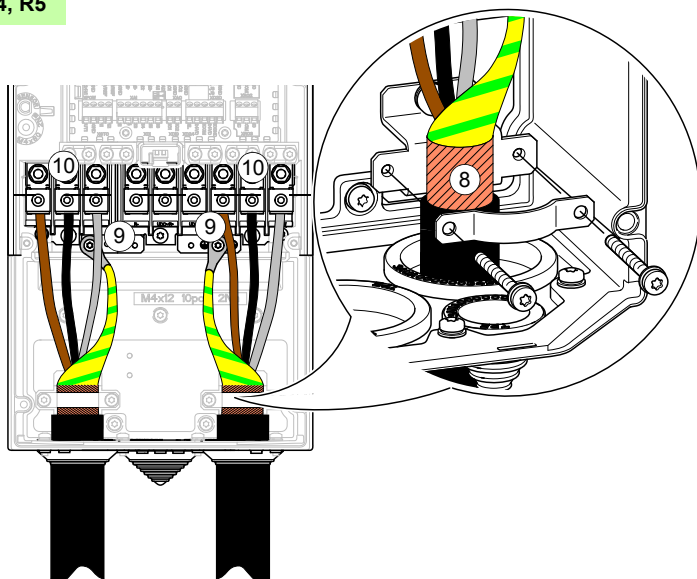
R4, R5




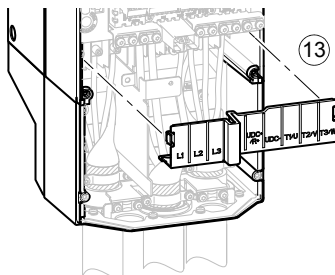
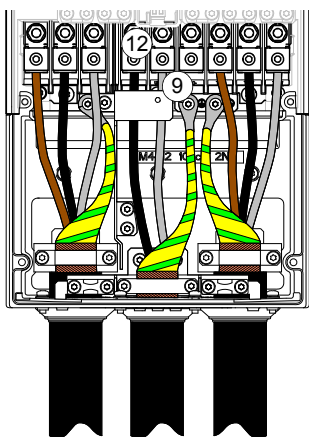
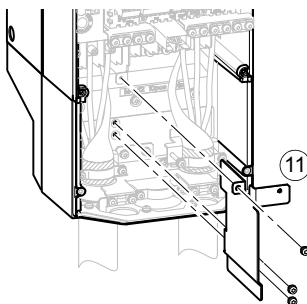
R4, R5



R4, R5



	L1, L2, L3, T1/U, T2/V, T3/W (H·M)	R-, R+/UDC+, UDC- (H·M)	 (H·M)
R4	3,3	3,3	2,9
R5	5,6	5,6	2,9



■ Порядок подключения для типоразмеров R6...R9

1. Удалите переднюю крышку Для приводов IP21: С помощью отвертки удалите фиксатор (а) и вытяните крышку за низ наружу (б).
2. Для приводов IP21: Удалите коробку ввода кабелей, отвернув крепежные винты.
3. Прикрепите наклейку с предупреждением об остаточных напряжениях (на местном языке) рядом с блоком управления.
4. Удалите боковые пластины коробки ввода кабелей, открутив крепежные винты.
5. Удалите щиток с клемм силовых кабелей, для чего освободите зажимы с боковых сторон щиток отверткой с боковых сторон и поднимите (а). Выбейте отверстия для прохода кабелей (б).
6. Если устанавливаются параллельные кабели (типоразмеры R8 и R9): Удалите щитки с клемм силовых кабелей для монтируемых кабелей.
7. Подготовьте концы входного кабеля и кабеля двигателя как показано на рисунке. **Примечание.** Обнаженный экран заземляется по окружности (360 градусов) под зажимом.
8. Прорежьте надлежащие отверстия в резиновых втулках (а). Надвиньте втулки на кабели. Пропустите кабели сквозь отверстия в нижней плате и закрепите втулки в отверстиях (б).
9. Затяните зажим на зачищенном участке кабеля. Будьте осторожны: острые кромки.
10. Закрепите скрученные экраны кабелей под зажимами заземления.
11. Подключите фазные проводники входного кабеля питания к клеммам L1, L2 и L3, а фазные проводники кабеля двигателя – к клеммам T1/U, T2/V и T3/W. Затяните винты моментом, указанным на рисунке.

Примечание 1 для типоразмеров R8 и R9: при подключении только одного проводника к соединителю рекомендуем поместить его под верхнюю прижимную пластину.

Примечание 2 для типоразмеров R8 и R9: Не рекомендуется отсоединять соединители. Если это необходимо, соблюдайте следующие указания по отсоединению и повторному подключению соединителя.

Клеммы L1, L2 и L3

- Отвинтите комбинированный винт, прижимающий соединитель к клемме, и извлеките соединитель.
- Поместите проводник под верхнюю прижимную пластину и слегка затяните соединение.
- Вставьте соединитель обратно в клемму. Вставьте комбинированный винт и заверните рукой как минимум на два оборота.





ПРЕДУПРЕЖДЕНИЕ! Прежде чем прибегнуть к использованию инструментов, убедитесь в том, что нет перехлеста резьбы между гайкой и винтом. Перехлест резьбы приведет к повреждению привода и создаст опасную ситуацию.

- Затяните комбинированный винт с крутящим моментом 30 Н·м.
- Затяните проводники с крутящим моментом 40 Н·м для типоразмера R8 или 70 Н·м для типоразмера R9.

Клеммы T1/U, T2/V и T3/W

- Снимите гайку, крепящую соединитель к шине.
- Поместите проводник под верхнюю прижимную пластину и слегка затяните соединение.
- Установите соединитель обратно на свою шину. Вставьте гайку и заверните рукой как минимум на два оборота.



ПРЕДУПРЕЖДЕНИЕ! Прежде чем прибегнуть к использованию инструментов, убедитесь в том, что нет перехлеста резьбы между гайкой и винтом. Перехлест резьбы приведет к повреждению привода и создаст опасную ситуацию.

- Затяните гайку с крутящим моментом 30 Н·м.
- Затяните проводники с крутящим моментом 40 Н·м для типоразмера R8 или 70 Н·м для типоразмера R9.

Примечание для монтажа кабельного наконечника (типоразмеры R6...R9). Отсоедините соединитель и установите кабельный наконечник на клемму/шину следующим образом.

- Отвинтите комбинированный винт, прижимающий соединитель к клемме/шине, и извлеките соединитель.
- Прикрепите кабельный наконечник к проводнику.
- Установите кабельный наконечник на клемму/шину. Вставьте гайку и заверните рукой как минимум на два оборота.



ПРЕДУПРЕЖДЕНИЕ! Прежде чем прибегнуть к использованию инструментов, убедитесь в том, что нет перехлеста резьбы между гайкой и винтом. Перехлест резьбы приведет к повреждению привода и создаст опасную ситуацию.

- Затяните гайку с крутящим моментом 30 Н·м.

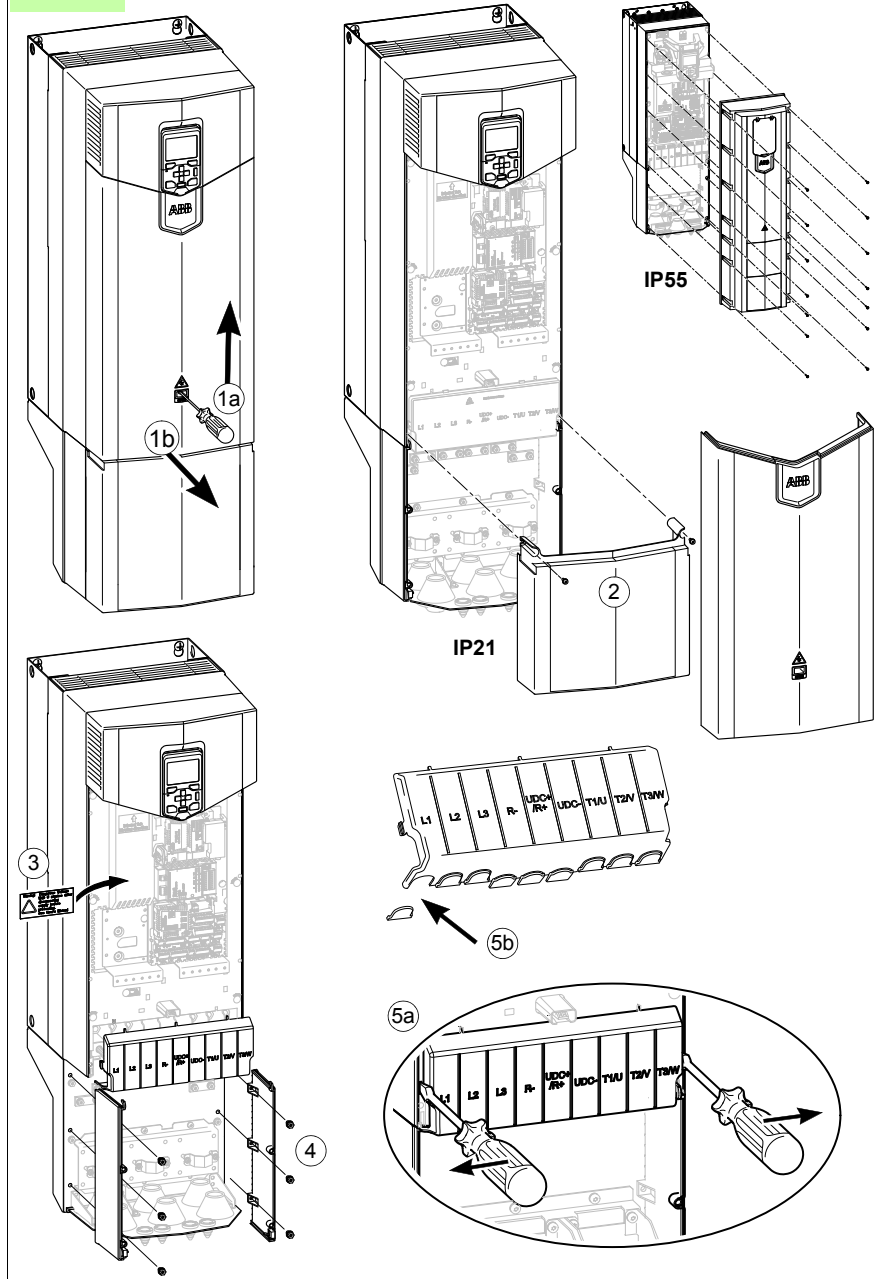
12. Приводы с дополнительным устройством +D150. Подключите проводники кабеля тормозного резистора к клеммам R+ и R-.

13. Если монтируются параллельные кабели (для типоразмеров R8 и R9), установите для них полки заземления. Повторите шаги 8...12.
14. Возвратите щиток на клеммы питания.
15. Установите на место боковые пластины коробки ввода кабелей.
16. Вставьте полку заземления кабелей управления в коробку ввода кабелей.
17. Механически закрепите кабели за пределами блока. Установите резиновые втулки в неиспользуемые отверстия проходной пластины.

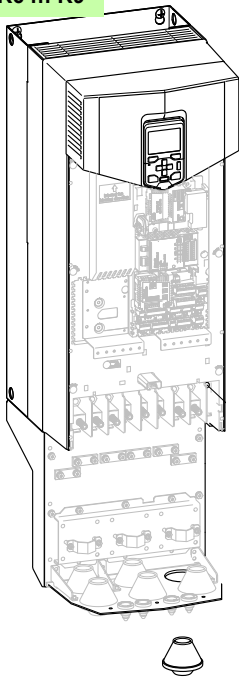
Примечание относительно монтажа разрешенного для применения в США кабелепровода. См. руководство по быстрому монтажу При необходимости установки кабельного наконечника используйте кабельные наконечники и инструменты, соответствующие требованиям UL. См. стр. [193](#).



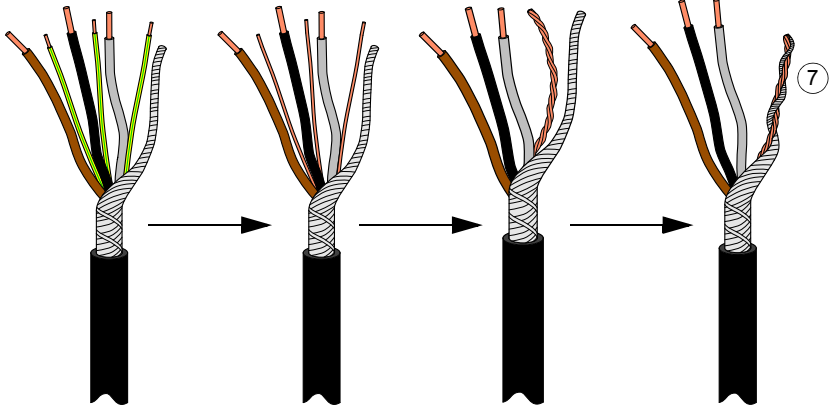
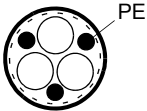
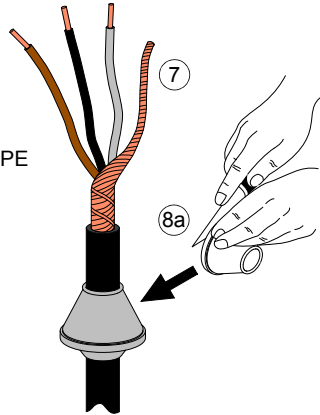
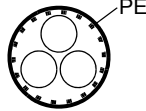
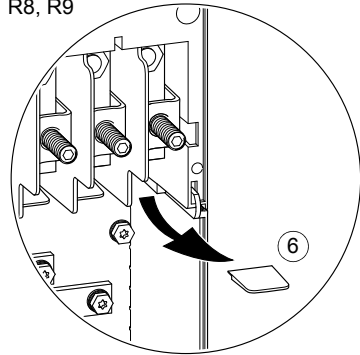
R6 ... R9



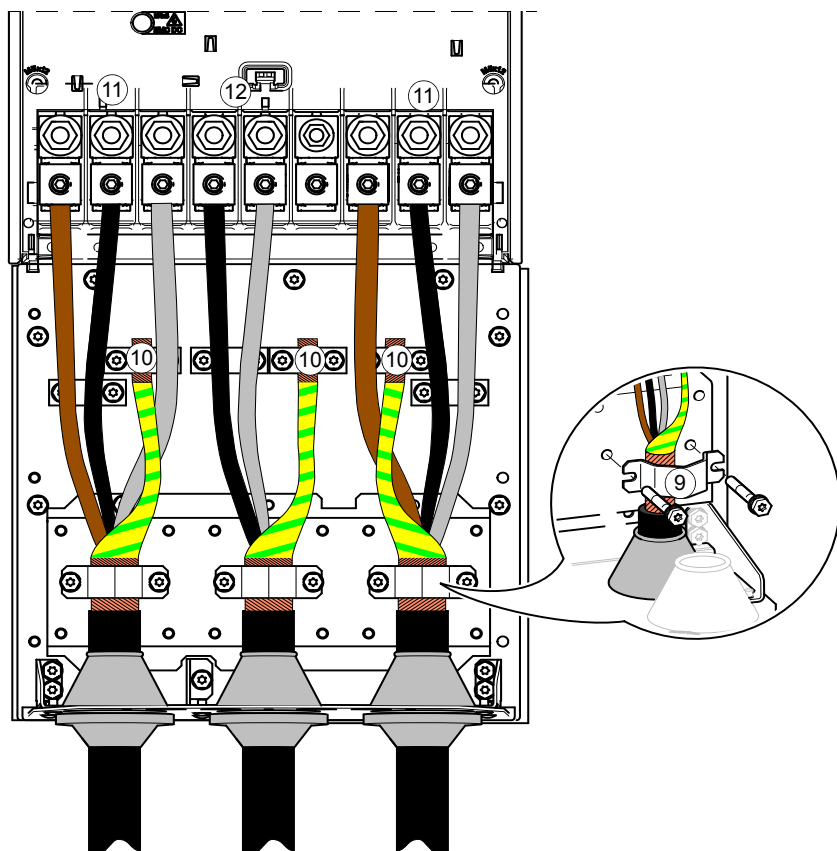
R6 ... R9



R8, R9



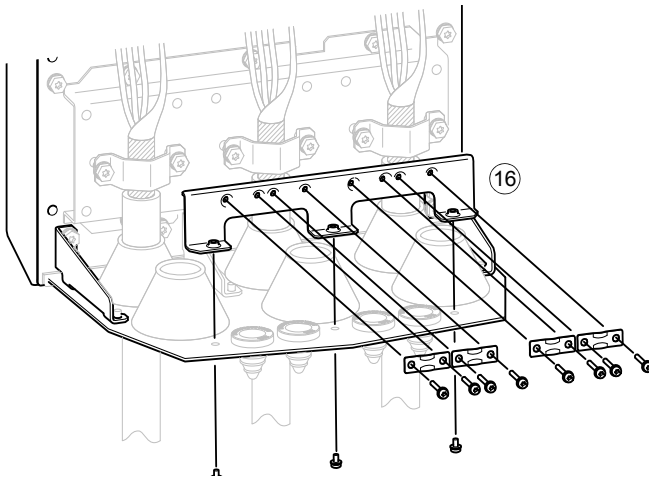
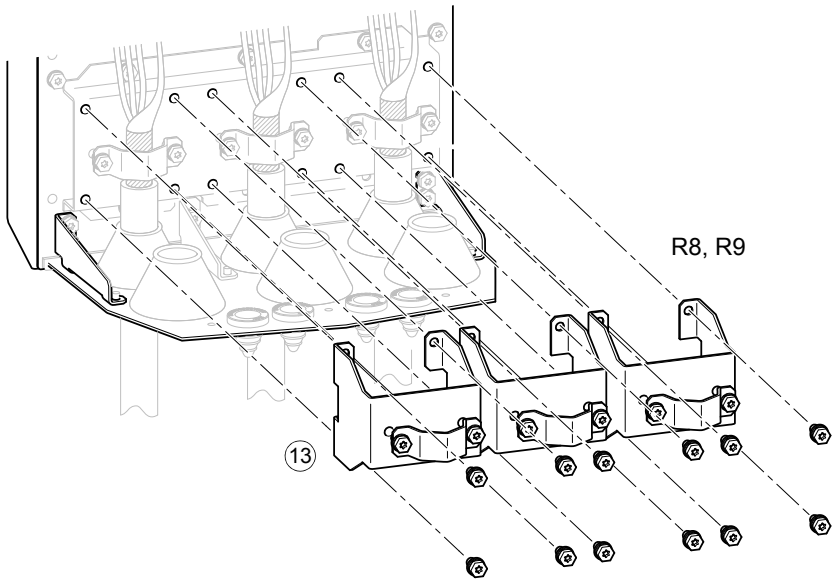
R6 ... R9



Типоразмер	L1, L2, L3, T1/U, T2/V, T3/W		R-, R+/UDC+, UDC-		
	T (Винт для провода)		T (Винт для провода)		T
	M...	H·м	M...	H·м	H·м
R6	M10	30	M8	20	9,8
R7	M10	40 (30*)	M10	30	9,8
R8	M10	40	M10	40	9,8
R9	M12	70	M12	70	9,8

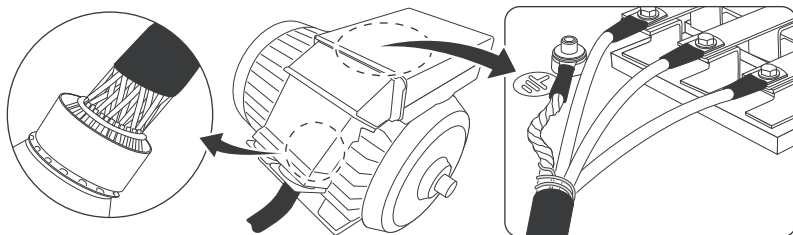
* для приводов 525...690 В

R6 ... R9



■ **Заземление экрана кабеля двигателя на стороне двигателя**

Обязательно заземлите экран кабеля двигателя на стороне двигателя. Для сведения к минимуму радиочастотных помех обеспечьте заземление экрана кабеля двигателя по всей окружности (360 градусов) на входе в клеммную коробку двигателя.



Подключение постоянного тока

Клеммы UDC+ и UDC- предназначены для объединения по цепи постоянного тока нескольких приводов, что позволяет передавать энергию рекуперации одного привода для использования другими приводами, работающими в двигательном режиме. Для получения дополнительных указаний свяжитесь с местным представительством ABB.

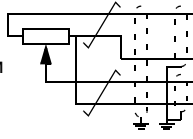
Подключение кабелей управления

Относительно стандартного подключения входов/выходов заводских макросов основной программы управления ACS880 см. раздел [Стандартная схема подключения входов/выходов](#) ниже. Относительно других макросов и программ управления см. руководство по микропрограммному управлению. Подсоедините кабели как описано в разделе [Порядок подключения кабелей управления](#) на стр. [114](#).



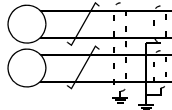
Стандартная схема подключения входов/выходов

Сечение проводов:
0,5 ... 2,5 мм²
(24...12 AWG)
Моменты затяжки: 0,5 Н·м
как для многожильного, так и для сплошного провода.



XPROW Вход внешнего питания		
1	+24V	24 В=, 2 А
2	GND	

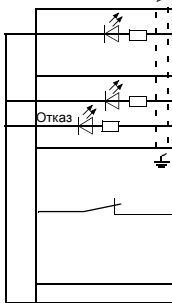
XAI Опорное напряжение и аналоговые входы		
1	+VREF	10 В=, R _L 1...10 кОм
2	-VREF	-10 В=, R _L 1...10 кОм
3	AGND	Земля
4	AI1+	Задание скорости 0(2)...10 В, R _{in} > 200 кОм ¹⁾ По умолчанию не используется. 0(4)...20 мА, R _{in} = 100 Ом ²⁾
5	AI1-	
6	AI2+	
7	AI2-	
J1	J1	
J2	J2	Переключатель выбора тока/напряжения AI2



XAO Аналоговые выходы		
1	AO1	Скорость двигателя, об/мин 0...20 мА, R _L < 500 Ом
2	AGND	
3	AO2	Ток двигателя 0...20 мА, R _L < 500 Ом
4	AGND	

XD2D Линия связи привод-привод		
1	B	Линия связи привод-привод
2	A	
3	BGND	
J3	J3	Выключатель оконечной нагрузки линии связи привод-привод

XRO1, XRO2, XRO3 Релейные выходы		
11	NC	Готов 250 В~ / 30 В= 2 А
12	COM	
13	NO	
21	NC	Работа 250 В~ / 30 В= 2 А
22	COM	
23	NO	
31	NC	Отказ (-1) 250 В~ / 30 В= 2 А
32	COM	
33	NO	

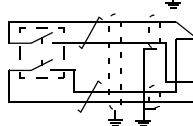


XD24 Цифровая взаимная блокировка		
1	DIIL	Разрешение работы
2	+24VD	+24 В=, 200 мА ³⁾
3	DICOM	Земля цифровых входов
4	+24VD	+24 В=, 200 мА ³⁾
5	DIOGND	Земля цифровых входов/выходов
J6	J6	Переключатель выбора заземления

XDIO Цифровые входы/выходы		
1	DIO1	Выход: Готов
2	DIO2	Выход: Работа

XDI Цифровые входы		
1	DI1	Останов (0) / пуск (1)
2	DI2	Вперед (0) / назад (1)
3	DI3	Сброс
4	DI4	Выбор ускорения и замедления ⁴⁾
5	DI5	Постоянная скорость 1 (1 = ВКЛ)
6	DI6	По умолчанию не используется.

XSTO Безопасное отключение крутящего момента		
1	OUT1	Функция безопасного отключения крутящего момента. Для пуска привода необходимо замкнуть обе цепи.
2	SGND	
3	IN1	
4	IN2	



X12	Подключение модуля функций защиты	
X13	Подключение панели управления	
X205	Подключение блока памяти	

Примечания см. на след. стр.



Примечания:



- 1) С помощью перемычки J1 выбирается режим входа: ток [0 (4)...20 мА, $R_{in} = 100 \text{ Ом}$] или напряжение [0 (2)...10 В, $R_{in} > 200 \text{ кОм}$]. Изменение настройки требует перезагрузки блока управления.
- 2) С помощью перемычки J2 выбирается режим входа: ток [0 (4)...20 мА, $R_{in} = 100 \text{ Ом}$] или напряжение [0 (2)...10 В, $R_{in} > 200 \text{ кОм}$]. Изменение настройки требует перезагрузки блока управления.
- 3) Общая нагрузочная способность этих выходов составляет 4,8 Вт (200 мА при 24 В) минус мощность, потребляемая цифровыми входами/выходами DIO1 и DIO2.
- 4) 0 = разомкнут, 1 = замкнут

D14	Время ускорения/замедления определяют
0	Параметры 23.12 и 23.13
1	Параметры 23.14 и 23.15

Дополнительные сведения об использовании разъемов и перемычек приведены в последующих разделах. См. также раздел [Данные подключения блока управления \(ZCU-12\)](#) на стр. 195.

Перемычки и переключатели

Пере- мычка/ переключатель	Описание	Положения
J1 (A11)	Определяет, в качестве входа какого сигнала используется аналоговый вход A11 – тока или напряжения.	 Ток (I) ○ ○
		○ Напряжение (U) ○ 
J2 (A12)	Определяет, в качестве входа какого сигнала используется аналоговый вход A12 – тока или напряжения.	 Ток (I) ○ ○
		○ Напряжение (U) ○ 
J3	Оконечная нагрузка линии связи привод-привод. Если привод является последним устройством в линии связи, перемычка должна быть установлена в положение ON (ВКЛ).	 Шина замкнута на оконечную нагрузку.
		 Шина не замкнута на оконечную нагрузку.

Пере- мычка/ переключатель	Описание	Положения
J6	Переключатель выбора общей земли цифровых входов. Определяет, отделена ли DICOM от DIOGND (т.е. плавают ли общая опора цифровых входов). См. Схема гальванической развязки на стр. 198.	 DICOM и DIOGND соединены (по умолчанию).  DICOM и DIOGND разъединены.

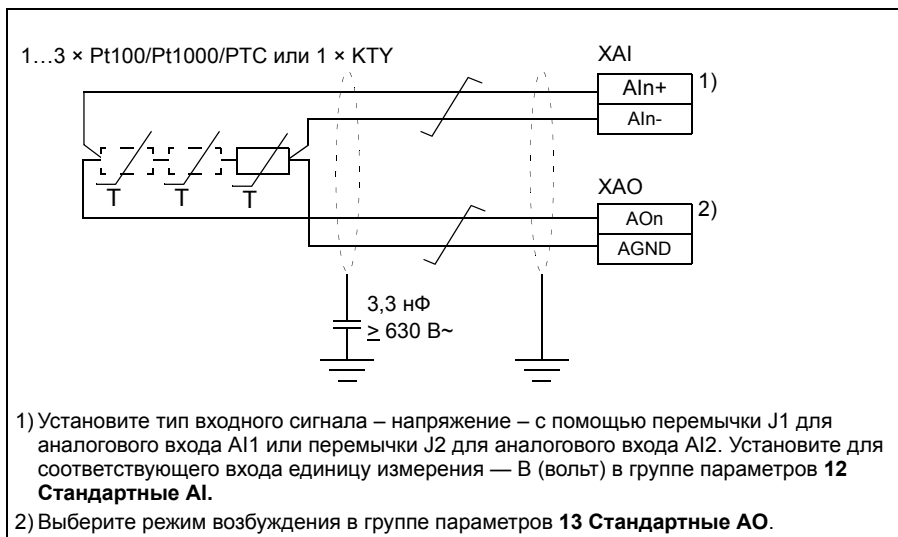
Внешний источник питания для блока управления (XPOW)

К клеммной колодке XPOW может быть подключен внешний источник питания +24 В (2 А) для блока управления. Использование внешнего питания рекомендуется, если

- требуется, чтобы плата управления оставалась работоспособной во время прерывания входного питания, например благодаря непрерывной связи по шине Fieldbus
- требуется немедленный перезапуск после прерывания питания (т.е. не допускается задержка включения питания платы управления).

AI1 и AI2 в качестве входов (XAI, XAO) датчиков Pt100, Pt1000, PTC и КТУ84

Для измерения температуры двигателя между аналоговым входом и выходом могут быть подключены три датчика Pt100, Pt1000 и PTC или один датчик КТУ84, как показано ниже. Не подключайте оба конца экрана кабеля напрямую к земле. В случае невозможности подключения одного конца экрана через конденсатор оставьте этот конец неподключенным.





ПРЕДУПРЕЖДЕНИЕ! Поскольку показанные выше входы не имеют гальванической развязки в соответствии со стандартом IEC 60664, при подключении датчика температуры двигателя необходимо обеспечить двойную или усиленную изоляцию между токоведущими частями двигателя и датчиком. Если это требование не выполнено, клеммы платы ввода/вывода должны быть защищены от контакта и не должны подключаться к другому оборудованию, или датчик температуры должен быть изолирован от клемм платы ввода/вывода.

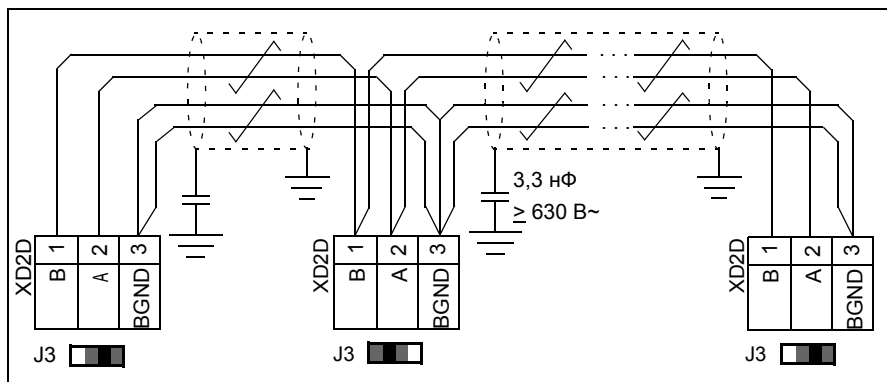
Линия связи привод-привод (XD2D)

Линия связи привод-привод представляет собой гирляндную линию передачи данных RS-485, которая обеспечивает связь типа «ведущий/ведомый» между одним ведущим и несколькими ведомыми приводами.

Переключатель оконечной нагрузки J3 (см. раздел [Переключки и переключатели](#) выше) около клеммной колодки на приводах у концов линии привод-привод должна быть установлена в положение «ON» (ВКЛ). В промежуточных приводах переключатель следует установить в положение «OFF» (ВЫКЛ).

Для соединения должен использоваться экранированный кабель типа «витая пара» (~100 Ом, например PROFIBUS-совместимый кабель). Для обеспечения наилучшей помехоустойчивости рекомендуется использовать высококачественный кабель. Кабель должен быть как можно короче: длина линии не должна превышать 50 м. Следует избегать ненужных петель и не прокладывать этот кабель вблизи силовых кабелей (например, кабелей двигателя).

Подключение линии связи привод-привод показано ниже.

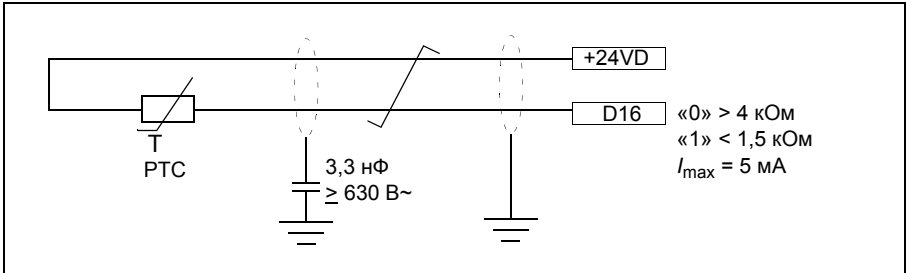


Вход DIIL (XD24:1)

Вход DIIL можно выбрать, например, в качестве источника команды аварийного останова или внешнего события. Дополнительная информация приведена в руководстве по микропрограммному обеспечению.

DI6 (XDI:6) в качестве входа датчика РТС

К этому входу может подключаться датчик РТС для измерения температуры двигателя следующим образом. Сопротивление датчика не должно превышать порогового значения сопротивления цифрового входа при нормальной рабочей температуре двигателя. Не подключайте оба конца экрана кабеля напрямую к земле. В случае невозможности подключения одного конца экрана через конденсатор оставьте этот конец неподключенным. Сведения о настройке параметров см. в руководстве по микропрограммному обеспечению.



ПРЕДУПРЕЖДЕНИЕ! Поскольку показанные выше входы не имеют гальванической развязки в соответствии со стандартом IEC 60664, при подключении датчика температуры двигателя необходимо обеспечить двойную или усиленную изоляцию между токоведущими частями двигателя и датчиком. Если это требование не выполнено, клеммы платы ввода/вывода должны быть защищены от контакта и не должны подключаться к другому оборудованию или датчик температуры должен быть изолирован от клемм платы ввода/вывода.

Безопасное отключение крутящего момента (XSTO)


Для пуска привода должны быть замкнуты обе цепи (OUT1 с IN1 и IN2). По умолчанию клеммные колодки имеют перемычки, замыкающие цепь. Перед подключением к приводу внешней схемы безопасного отключения крутящего момента удалите эти перемычки См. стр. 231.

Подключение модуля функций защиты (X12)

См. раздел [Реализация функций защиты с модулем FSO](#) на стр. 81 и руководство *FSO-12 safety functions module user's manual* (код английской версии 3AXD50000015612).



■ Порядок подключения кабелей управления

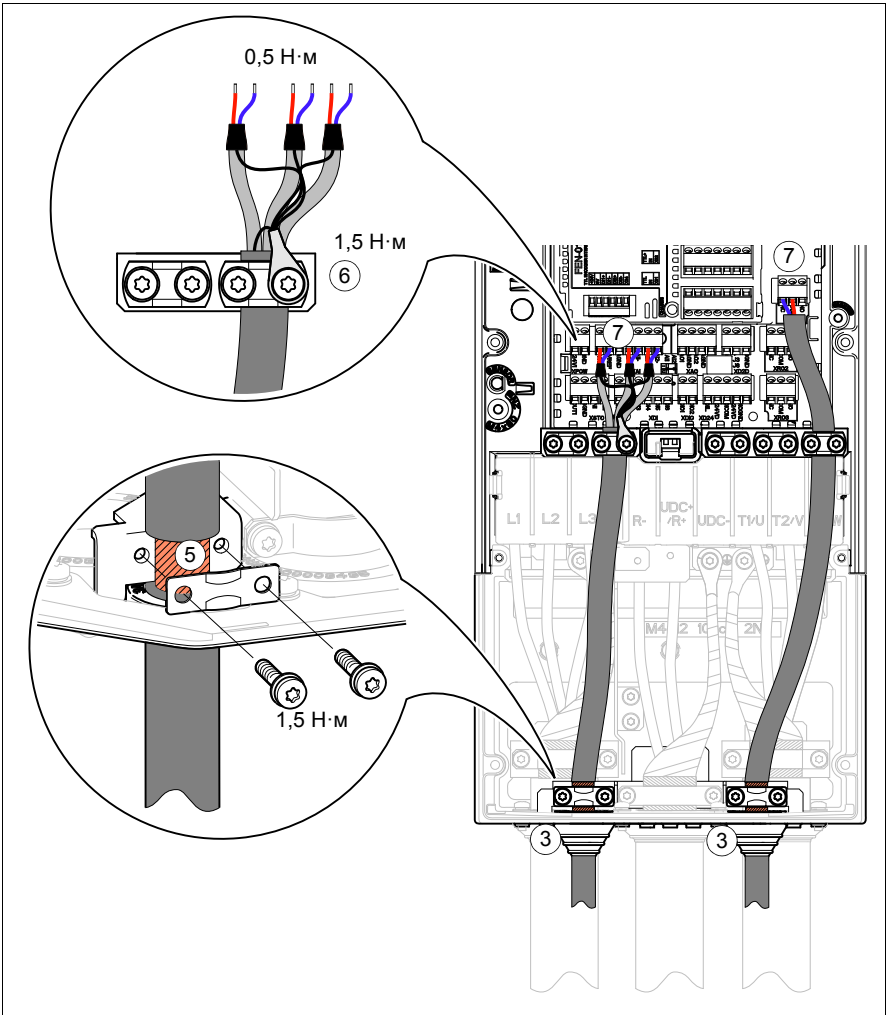
 **ПРЕДУПРЕЖДЕНИЕ!** Соблюдайте указания по технике безопасности, приведенные на стр. 14. Несоблюдение этих указаний может привести к травмам и летальному исходу, а также может стать причиной повреждения оборудования.

1. Отсоедините привод от питающей сети. Заблокируйте главный разъединитель и путем измерения убедитесь в отсутствии напряжения.
2. Снимите переднюю крышку (крышки). См. раздел [Подключение силовых кабелей](#) начиная со стр. 92.
3. Прорежьте отверстия требуемого размера в резиновых втулках и наденьте втулки на кабели. Пропустите кабели сквозь отверстия в нижней плате и закрепите втулки в отверстиях.
4. Проложите кабели как показано на стр. 115.
5. Произведите 360-градусное заземление наружных экранов всех кабелей управления у заземляющего зажима в коробке ввода кабелей (см. стр. 115). Затяните винты моментом 1,5 Нм. Экраны должны постоянно находиться как можно ближе к клеммам блока управления. Закрепите кабели зажимами под блоком управления. Типоразмеры R1...R3: Заземлите также экраны парных кабелей и провода заземления в месте установки заземляющего зажима коробки ввода кабелей.
6. Типоразмеры R4...R9: Заземлите все кабели «витая пара» и присоедините все провода заземления к зажиму под блоком управления (см. стр. 115).
7. Подключите проводники к соответствующим клеммам (см. стр. 109) [блока управления и затяните с крутящим моментом 0,5 Н·м](#).
8. Сведения о подключении кабелей Fieldbus см. в соответствующем руководстве по монтажу:

ACS880-01 quick installation guide for frames R1 to R3	3AUA0000085966
ACS880-01 quick installation guide for frames R4 and R5	3AUA0000099663
ACS880-01 quick installation guide for frames R6 to R9	3AUA0000099689

Примечание

- Оставьте другие концы экранов кабелей управления неподключенными или заземлите их через высокочастотный конденсатор емкостью несколько нанофарад (например, 3,3 нФ/630 В). Экран также можно заземлить непосредственно на обоих концах, если они находятся *на одной линии заземления* без значительного перепада напряжения между конечными точками.
- Сигнальные пары кабеля управления должны быть скручены как можно ближе к клеммам. Скручивание прямого провода с обратным уменьшает помехи, обусловленные индуктивной связью.



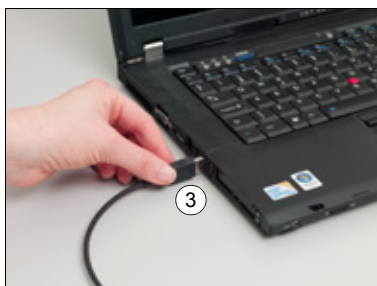
Подключение ПК



ПРЕДУПРЕЖДЕНИЕ! Во избежание повреждения не подключайте компьютер непосредственно к соединителю панели управления блока управления.

Подключите ПК к приводу с помощью информационного кабеля USB (USB тип A <-> USB тип Mini-B) следующим образом:

1. Поднимите крышку разъема USB снизу вверх.
2. Вставьте вилку Mini-B кабеля USB в разъем USB панели управления.
3. Вставьте вилку A кабеля USB в разъем USB компьютера. -> На панели отображается сообщение: USB подключен.



Управление несколькими приводами через шину панели.

Одна панель управления (или компьютер) могут использоваться для управления несколькими приводами путем создания шины панели.

1. Подключите панель к одному приводу с помощью кабеля Ethernet (например, CAT5E).

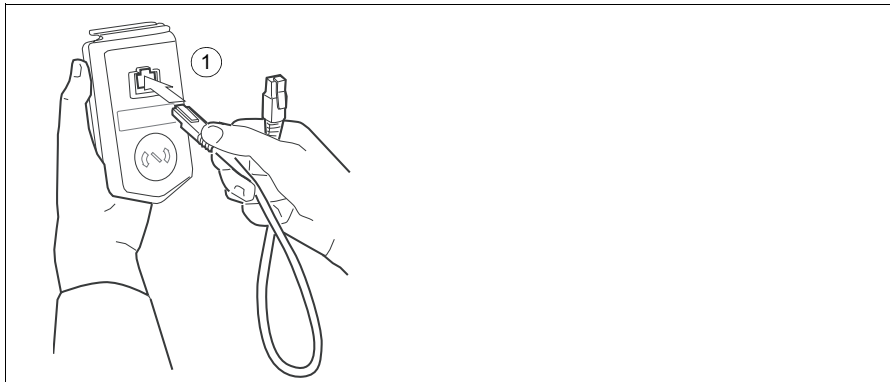
Примечание для приводов IP55 (UL тип 12): Снимите переднюю крышку и пропустите кабели через кабельные вводы.

- Откройте **Меню — Настройки — Правка текстов — Привод**, чтобы присвоить приводу информативное имя.
- С помощью параметра **49.01** назначьте приводу уникальный идентификационный номер узла.
- При необходимости задайте остальные параметры группы **49**.
- Параметр **49.06** используется для проверки любых изменений.

Повторите приведенные выше действия для каждого привода.

2. После подключения панели к одному приводу соедините приводы между собой кабелями Ethernet. (У каждой монтажной платы панели есть два разъема.)
3. В последнем приводе включите оконечную нагрузку шины. В случае наличия монтажной платы панели переместите выключатель оконечной нагрузки во внешнее положение. Оконечная нагрузка должна быть выключена на всех остальных блоках.
4. На панели управления включите функцию панельной шины (**Параметры — Выберите привод — Шина панели**). Теперь в списке в разделе «**Параметры — Выберите привод**» можно выбрать подлежащий управлению блок.
5. Если к панели управления подключен ПК, приводы на шине панели автоматически отображаются средством Drive Composer.
6. Для приводов IP55 (UL тип 12) установите переднюю крышку.

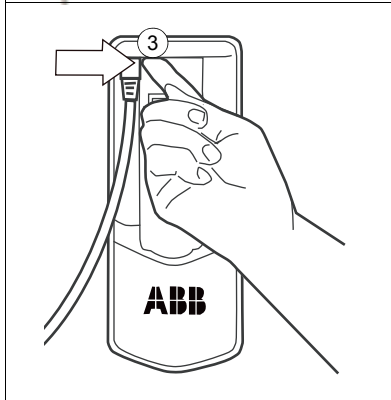
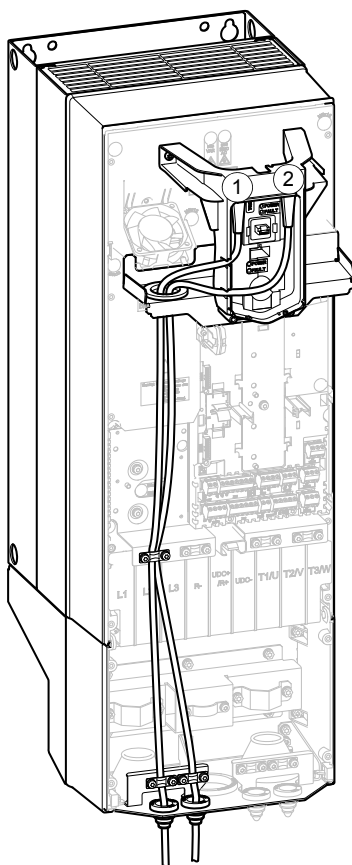




IP21 (UL тип 1)



IP55 (UL тип 12)



Установка дополнительных модулей

Примечание. В приводах типоразмеров R1 и R2 нельзя использовать 90-градусный соединитель в гнезде 1. При использовании приводов других типоразмеров для соединителя и соответствующего кабеля имеется 50–55 мм свободного пространства рядом с гнездами 1, 2 и 3.

■ Механический монтаж модуля расширения входов/выходов, интерфейсных модулей Fieldbus и импульсного энкодера

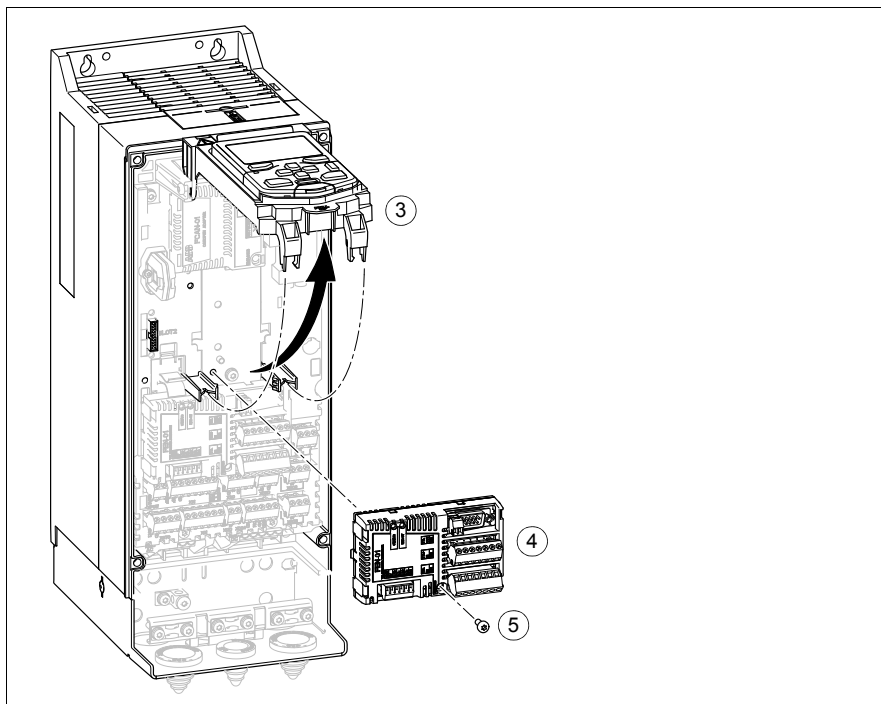
Предусмотренные гнезда для каждого модуля указаны на стр. 30. Установите дополнительные модули следующим образом:



ПРЕДУПРЕЖДЕНИЕ! Соблюдайте указания по технике безопасности, приведенные на стр. 14. Несоблюдение этих указаний может привести к травмам и летальному исходу, а также может стать причиной повреждения оборудования.

1. Отсоедините привод от питающей сети. Заблокируйте главный разъединитель и путем измерения убедитесь в отсутствии напряжения.
2. Снимите переднюю крышку (см. раздел *Подключение силовых кабелей*, начиная со стр. 92).
3. Типоразмеры R1...R3: Потяните монтажную плату панели управления вверх, чтобы получить доступ к гнездам дополнительных модулей.
4. Осторожно вставьте модуль на его место в блоке управления.
5. Затяните крепежный винт электронных компонентов с крутящим моментом 0,8 Нм. **Примечание.** Винты затягивают разъемы и места заземления модуля. Это необходимо для выполнения требований по ЭМС с целью обеспечения надлежащей работы модуля.





■ Подключение модуля расширения входов/выходов, интерфейсных модулей Fieldbus и импульсного энкодера



Конкретные указания относительно монтажа и подключения можно найти в руководстве по соответствующему дополнительному модулю. Схема прокладки кабелей приведена на стр. [115](#).

■ Монтаж модулей функций защиты

Модуль функций защиты можно устанавливать в гнездо 2 на блоке управления или (при использовании приводов типоразмеров R7...R9) рядом с блоком управления.

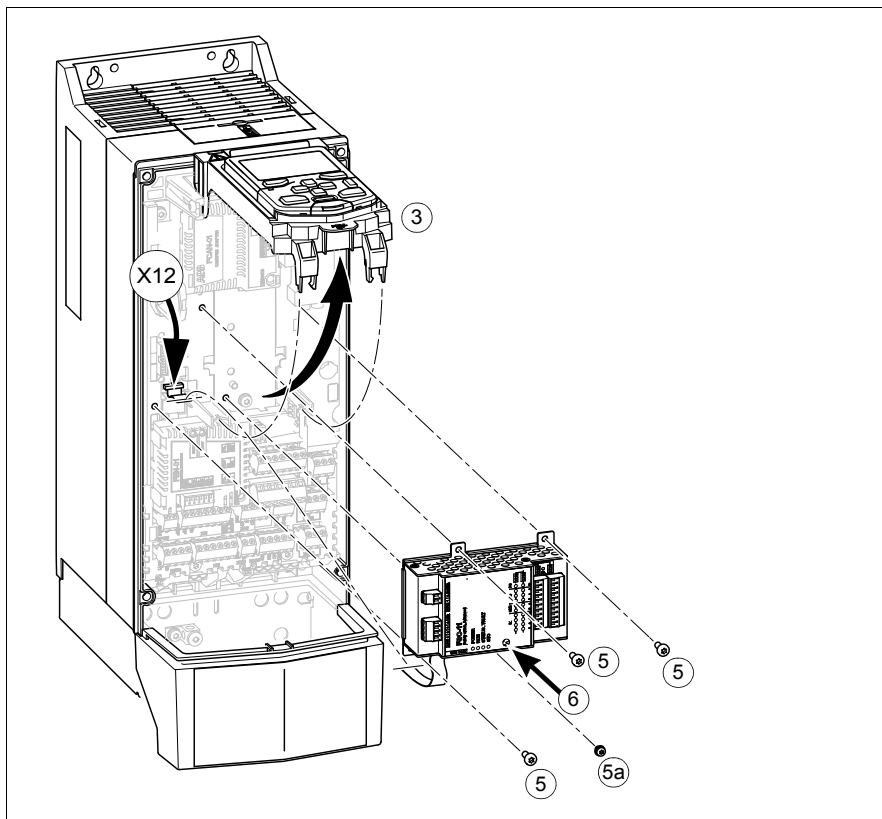
Процедура установки в гнездо 2



ПРЕДУПРЕЖДЕНИЕ! Соблюдайте указания по технике безопасности, приведенные на стр. 14. Несоблюдение этих указаний может привести к травмам и летальному исходу, а также может стать причиной повреждения оборудования.

1. Отсоедините привод от питающей сети. Заблокируйте главный разъединитель и путем измерения убедитесь в отсутствии напряжения.
2. Снимите переднюю крышку (см. раздел [Подключение силовых кабелей](#) на стр. 92).
3. Типоразмеры R1...R3: Потяните монтажную плату панели управления вверх, чтобы получить доступ к гнездам дополнительных модулей.
4. Осторожно вставьте модуль на его место в блоке управления.
5. Закрепите модуль четырьмя винтами. **Примечание.** Для выполнения требований по ЭМС и обеспечения надлежащей работы модуля необходимо использовать заземляющий винт (а).
6. Затяните заземляющий винт электронных компонентов с крутящим моментом 0,8 Н·м.
7. Подсоедините кабель передачи данных к разъему X110 модуля и к соединителю X12 блока управления приводом.
8. Подключите провода функции безопасного отключения крутящего момента к соединителю X111 на модуле и соединителю XSTO на приводном модуле, как показано в разделе [Электрический монтаж](#) на рис. 233.
9. Подключите внешний источник питания +24 В к соединителю X112.
10. Подключите другие провода в соответствии со схемой, приведенной в документе *FSO-12 safety functions module user's manual* (код английской версии 3AXD50000015612).



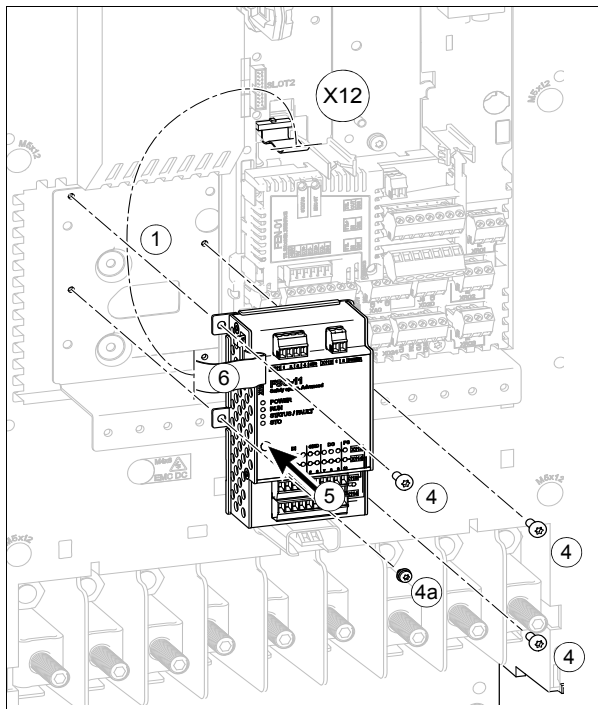


Монтаж рядом с блоком управления для приводов типоразмеров R7...R9

ПРЕДУПРЕЖДЕНИЕ! Соблюдайте указания по технике безопасности, приведенные на стр. 14. Несоблюдение этих указаний может привести к травмам и летальному исходу, а также может стать причиной повреждения оборудования.

1. Отсоедините привод от питающей сети. Заблокируйте главный разъединитель и путем измерения убедитесь в отсутствии напряжения.
2. Снимите переднюю крышку (см. стр. 104).
3. Аккуратно вставьте модуль на свое место.
4. Закрепите модуль четырьмя винтами. **Примечание.** Для выполнения требований по ЭМС и обеспечения надлежащей работы модуля необходимо правильно установить заземляющий винт (а).
5. Затяните заземляющий винт электронных компонентов с крутящим моментом 0,8 Н·м.
6. Подсоедините кабель передачи данных к разъему X110 модуля и к соединителю X12 блока управления приводом.
7. Подключите провода функции безопасного отключения крутящего момента к соединителю X111 на модуле и соединителю XSTO на приводном модуле, как показано в разделе *Электрический монтаж* на рис. 233.
8. Подключите внешний источник питания +24 В к соединителю X112.
9. Подключите другие провода в соответствии со схемой, приведенной в документе *FSO-12 safety functions module user's manual* (код английской версии 3AXD50000015612).





7

Карта проверок монтажа

Обзор содержания главы

В этой главе содержится перечень проверок механического и электрического монтажа привода.

Карта проверок

Перед пуском привода необходимо проверить механический и электрический монтаж. Все проверки по карте следует выполнять вдвоем с помощником.



ПРЕДУПРЕЖДЕНИЕ! К выполнению описанных ниже работ допускаются только квалифицированные электрики. Выполняйте все указания по технике безопасности привода. Несоблюдение правил техники безопасности может привести к травмам и опасно для жизни. Разомкните главный разъединитель привода и заблокируйте его в разомкнутом положении. Путем измерения убедитесь, что на привод не подается питание.

<input checked="" type="checkbox"/>	Подлежит проверке следующее:
<input type="checkbox"/>	Условия эксплуатации соответствуют техническим характеристикам, приведенным в главе Технические характеристики .
<input type="checkbox"/>	<u>Если привод будет подключаться к сети питания ИТ (незаземленной):</u> Дополнительные электромагнитные фильтры +E200 и +E202 отсоединены. Указания можно получить в корпорации АВВ.
<input type="checkbox"/>	<u>Если привод хранился более года:</u> Электролитические конденсаторы постоянного тока в звене постоянного тока привода подвергнуты формовке. (см. стр. 144).

<input checked="" type="checkbox"/>	Подлежит проверке следующее:
<input type="checkbox"/>	Проводник защитного заземления между приводом и распределительным щитом имеет достаточное сечение.
<input type="checkbox"/>	Проводник защитного заземления между двигателем и приводом имеет достаточное сечение.
<input type="checkbox"/>	Все проводники защитного заземления подключены к надлежащим клеммам, которые затянуты (для проверки потяните за провода).
<input type="checkbox"/>	Питающее напряжение соответствует номинальному входному напряжению привода. Проверьте соответствующую табличку с указанием типа.
<input type="checkbox"/>	Входной кабель питания подключен к соответствующим клеммам с соблюдением порядка следования фаз, и клеммы затянуты (для проверки потяните за провода).
<input type="checkbox"/>	Установлены надлежащие плавкие предохранители и разъединитель.
<input type="checkbox"/>	Кабель двигателя подключен к соответствующим клеммам с соблюдением порядка следования фаз, и клеммы затянуты (для проверки потяните за провода).
<input type="checkbox"/>	Кабель тормозного резистора (если имеется) подключен к соответствующим клеммам, и клеммы затянуты (для проверки потяните за провода).
<input type="checkbox"/>	Кабель двигателя (и кабель тормозного резистора, если имеется) проложены на удалении от прочих кабелей.
<input type="checkbox"/>	К кабелю двигателя не подключены никакие конденсаторы для компенсации коэффициента мощности.
<input type="checkbox"/>	Кабели управления (если имеются) подключены к блоку управления.
<input type="checkbox"/>	<u>Если используется байпасное подключение привода:</u> Контактор подключения двигателя непосредственно к сети и выходной контактор привода имеют механическую или электрическую взаимную блокировку и не могут быть замкнуты одновременно.
<input type="checkbox"/>	Внутри корпуса привода не попали инструменты, посторонние предметы и стружка от сверления отверстий.
<input type="checkbox"/>	Крышки соединительных коробок привода и двигателя установлены на свои места.
<input type="checkbox"/>	Двигатель и приводимое оборудование готовы к пуску.



Запуск

Обзор содержания главы

В этой главе рассматривается методика запуска привода.

Порядок запуска

1. Запустите программу управления приводом соответствии указаниями по запуску, приведенными в *Кратком руководстве по вводу в эксплуатацию приводов ACS880 с основной программой управления* или в руководстве по микропрограммному обеспечению.
 - Относительно приводов с резистивным торможением (доп. устройство +D151) см. также раздел [Ввод в эксплуатацию](#) на стр. 250.
 - Дополнительный компонент +N7502 также описывается в документе *SynRM motor control program (option +N7502) for ACS880-01, ACS880-07, ACS850-04 and ACQ810-04 drives supplement* (код английской версии 3AXD50000026332).
 - Для приводов с синус-фильтрами АВВ проверьте, чтобы параметру **95.15 Special HW settings** было задано значение **ABB sine filter**. В случае использования других синус-фильтров см. документ *Sine filter hardware manual* (код английской версии 3AXD50000016814).
 - Относительно приводов с электродвигателями АВВ, работающими во взрывоопасной среде см. также документ *ACS880 drives with ABB motors in explosive atmospheres* (код английской версии 3AXD50000019585).
2. Проверьте работу функции безопасного отключения крутящего момента согласно инструкциям, приведенным в главе [Функция безопасного отключения крутящего момента](#) на стр. 231.
3. Проверьте работу функций безопасности (дополнительный компонент +Q973) в соответствии с процедурой, описанной в документе *FSO-12 safety functions module user's manual* (код английской версии 3AXD50000015612).





9

Поиск и устранение неисправностей

Обзор содержания главы

В этой главе представлены процедуры поиска и устранения неисправностей привода.

Светодиоды

Место установки	Светодиод	Цвет	Значение (когда горит)
Плата для монтажа панели управления	ПИТАНИЕ	Зеленый	Блок управления включен, а к панели управления подано напряжение +15 В.
	ОТКАЗ	Красный	Отказ привода.

Предупреждения и сообщения об отказах

Описания предупреждений и сообщений об отказах, выдаваемых программой управления приводом, с указанием их причин и требуемых действий см. в руководстве по микропрограммному обеспечению.



Техническое обслуживание

Обзор содержания главы

В этой главе приведены указания по профилактическому техническому обслуживанию.

Интервалы технического обслуживания

При соответствующих условиях эксплуатации привод требует незначительного технического обслуживания. В приведенной ниже таблице указаны интервалы профилактического технического обслуживания, рекомендуемые корпорацией АВВ. Рекомендуемые интервалы технического обслуживания и замена компонентов основаны на конкретных эксплуатационных и климатических условиях.

Примечание. Длительная работа вблизи максимальных разрешенных границ номинальных характеристик и окружающих условий может потребовать сокращения интервалов технического обслуживания для некоторых компонентов.

В приведенных ниже таблицах указаны операции, выполняемые пользователем. Относительно операций, выполняемых корпорацией АВВ, и за подробной информацией о техническом обслуживании обратитесь к местному представителю сервисной службы корпорации АВВ. В Интернете зайдите на сайт www.abb.com/searchchannels.

■ Описание символов

Действие	Описание
I	Визуальный осмотр и, при необходимости, работы по техническому обслуживанию
P	Производительность работы на объекте/вне объекта (ввод в эксплуатацию, измерения другие виды работ)
R	Замена компонента

■ Рекомендуемые действия ежегодного технического обслуживания, выполняемые пользователем

Корпорация АВВ рекомендует ежегодно проводить эти осмотры, чтобы обеспечить максимальную надежность и оптимальные эксплуатационные характеристики.

Действие	Предмет проверки
P	Характеристики питающего напряжения
I	Запасные части
P	Формование конденсаторов цепей постоянного тока, запасные модули и запасные конденсаторы
I	Затяжка клемм
I	Запыленность, коррозия и температура
I	Очистка радиатора

■ Рекомендуемые интервалы технического обслуживания после ввода в эксплуатацию

Компонент	Лет с момента запуска							
	3	6	9	12	15	18	20	21
Охлаждение								
Основной вентилятор охлаждения (типоразмеры R1...R9)		R		R		R		
Вспомогательный вентилятор охлаждения печатных плат (типоразмеры R1...R9)	R	R	R	R	R	R	R	R
Вспомогательный вентилятор охлаждения (IP55, типоразмеры R8 и R9)	R	R	R	R	R	R	R	R
Старение								
Аккумулятор панели управления и блока управления ZCU		R		R		R		

4FPS10000239703

Радиатор

Пыль, содержащаяся в охлаждающем воздухе, оседает на ребрах радиатора модуля. Если радиатор чрезмерно загрязнен, привод формирует предупреждения и сообщения об отказах, связанные с перегревом. При необходимости чистите радиаторы следующим образом:



ПРЕДУПРЕЖДЕНИЕ! Соблюдайте указания по технике безопасности, приведенные на стр. 14. Несоблюдение этих указаний может привести к травме, смертельному исходу или повреждению оборудования.



ПРЕДУПРЕЖДЕНИЕ! Используйте пылесос с антистатическими шлангом и насадкой. Применение обычного пылесоса вызовет образование зарядов статического электричества, которые способны повредить печатные платы.

1. Отсоедините привод от питающей сети. Заблокируйте главный разъединитель и путем измерения убедитесь в отсутствии напряжения.
2. Снимите вентилятор (вентиляторы) охлаждения. См. раздел *Вентиляторы* ниже.
3. Продуйте радиатор снизу вверх чистым сжатым (сухим, без масла) воздухом, одновременно используя пылесос для сбора пыли, вылетающей из отверстий для выхода воздуха. **Примечание.** Если пыль может попасть в находящееся рядом оборудование, выполняйте чистку в другом помещении.
4. Установите вентилятор охлаждения на место.

Вентиляторы

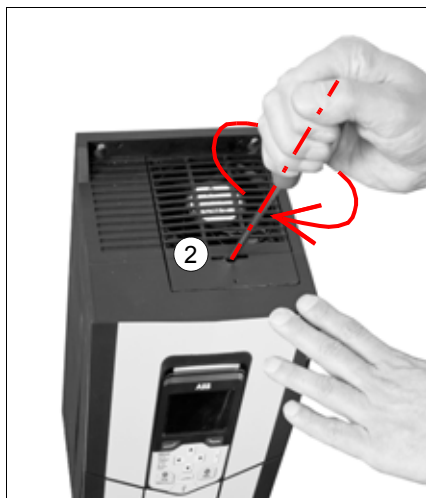
Срок службы вентиляторов охлаждения зависит от наработки вентилятора, температуры окружающего воздуха и концентрации пыли. В приводе предусмотрен сигнал, который отображает текущую наработку охлаждающего вентилятора (см. руководство по микропрограммному обеспечению). Сбросьте сигнал наработки после замены вентилятора.

Запасные вентиляторы поставляются корпорацией ABB. Используйте только запасные части, рекомендуемые корпорацией ABB.

■ Замена основного вентилятора охлаждения, типоразмеры R1...R3

⚠ ПРЕДУПРЕЖДЕНИЕ! Соблюдайте указания по технике безопасности, приведенные на стр. 14. Несоблюдение этих указаний может привести к травмам и летальному исходу, а также может стать причиной повреждения оборудования.

1. Отсоедините привод от питающей сети. Заблокируйте главный разъединитель и путем измерения убедитесь в отсутствии напряжения.
2. Освободите фиксатор, нажимая его плоской отверткой и поворачивая вправо.
3. Извлеките вентиляторный узел, подняв его вверх.
4. Установите новый вентиляторный узел в обратном порядке. Убедитесь в том, что поток воздуха от вентилятора направлен вверх.
5. Сбросьте счетчик в группе 5 в основной программе управления.

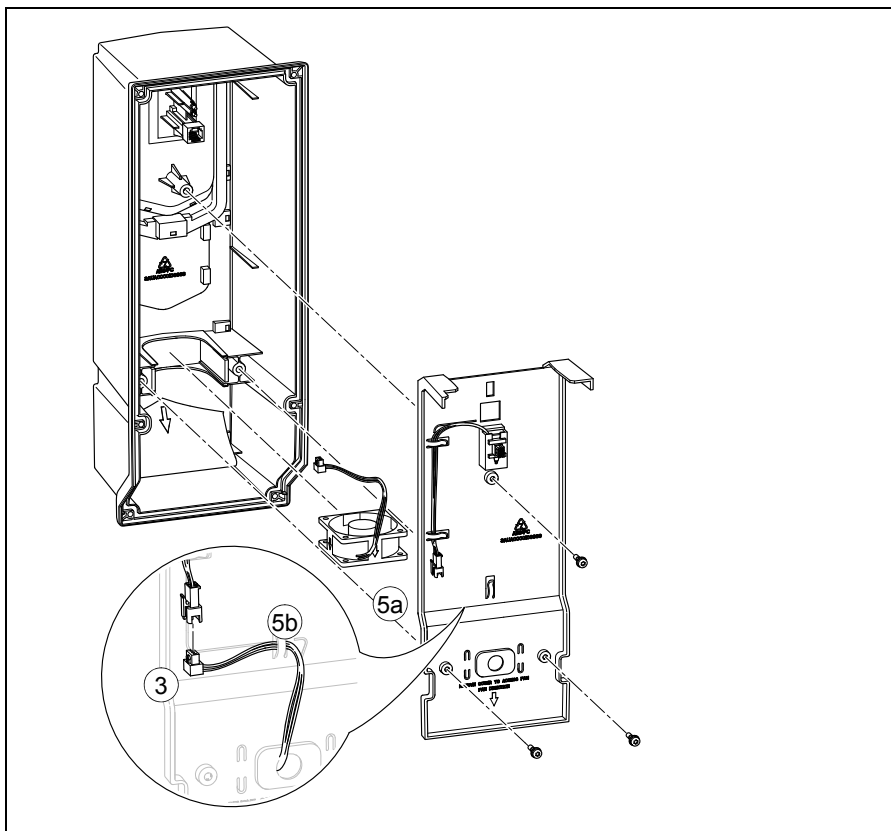


■ Замена вспомогательного вентилятора охлаждения, типоразмеры R1...R3 (IP55)




ПРЕДУПРЕЖДЕНИЕ! Соблюдайте указания по технике безопасности, приведенные на стр. 14. Несоблюдение этих указаний может привести к травмам и летальному исходу, а также может стать причиной повреждения оборудования.

1. Отсоедините привод от питающей сети. Заблокируйте главный разъединитель и путем измерения убедитесь в отсутствии напряжения.
2. Снимите переднюю крышку, отвернув крепежные винты по сторонам.
3. Отсоедините провода питания вентилятора.
4. Выньте вентилятор, поднимая вверх.
5. Установите новый вентилятор в обратном порядке. Убедитесь, что стрелка (а) на вентиляторе указывает вниз. **Примечание.** Объедините провода под фиксатором (b), в противном случае не удастся до конца надеть крышку.



■ Замена главного вентилятора охлаждения, типоразмеры R4 и R5

 **ПРЕДУПРЕЖДЕНИЕ!** Соблюдайте указания по технике безопасности, приведенные на стр. 14. Несоблюдение этих указаний может привести к травмам и летальному исходу, а также может стать причиной повреждения оборудования.

1. Отсоедините привод от питающей сети. Заблокируйте главный разъединитель и путем измерения убедитесь в отсутствии напряжения.
2. Приподнимите держатель вентилятора с переднего края.
3. Выньте разъем проводов питания.
4. Снимите вентиляторный узел, подняв его вверх.
5. Установите новый вентиляторный узел в обратном порядке. Убедитесь в том, что поток воздуха от вентилятора направлен вверх.
6. Сбросьте счетчик в группе 5 в основной программе управления.

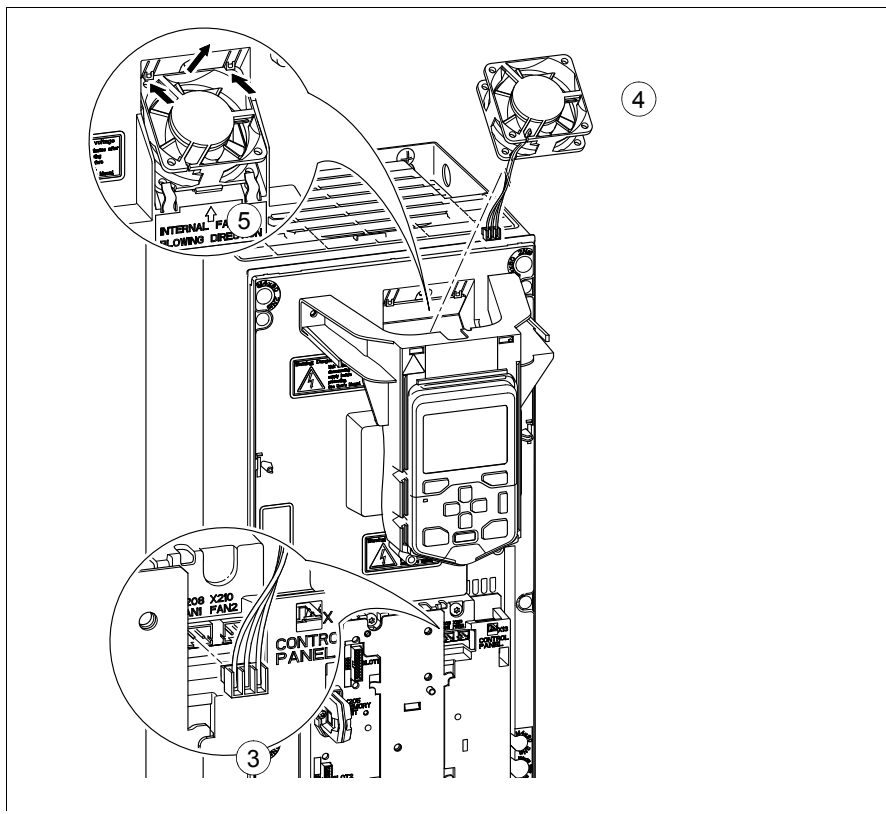


- Замена вспомогательного вентилятора охлаждения для типоразмера R4, типоразмера R5 с классом защиты IP55 и дополнительным компонентом +C135 и типоразмера R5 с классом защиты IP21 типа ACS880-01-xxxx-7



ПРЕДУПРЕЖДЕНИЕ! Соблюдайте указания по технике безопасности, приведенные на стр. 14. Несоблюдение этих указаний может привести к травмам и летальному исходу, а также может стать причиной повреждения оборудования.

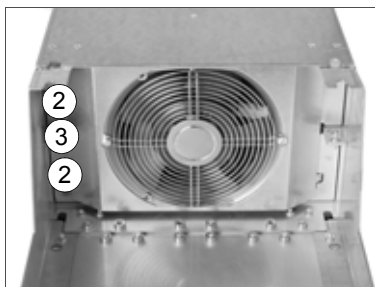
1. Отсоедините привод от питающей сети. Заблокируйте главный разъединитель и путем измерения убедитесь в отсутствии напряжения.
2. Снимите переднюю крышку. См. стр. 98.
3. Отсоедините провода питания вентилятора.
4. Удалите вентилятор, поднимая вверх.
5. Установите новый вентилятор в обратном порядке. Убедитесь, что стрелка на вентиляторе указывает в направлении, указанном на раме привода.



■ Замена основного вентилятора охлаждения, типоразмеры R6...R8

⚠ ПРЕДУПРЕЖДЕНИЕ! Соблюдайте указания по технике безопасности, приведенные на стр. 14. Несоблюдение этих указаний может привести к травмам и летальному исходу, а также может стать причиной повреждения оборудования.

1. Отсоедините привод от питающей сети. Заблокируйте главный разъединитель и путем измерения убедитесь в отсутствии напряжения.
2. Отверните крепежные винты держателя вентилятора (ниже показан вид снизу).
3. Приподнимите держатель вентилятора с бокового края.
4. Выньте разъем проводов питания.
5. Поднимите держатель вентилятора вверх и снимите его.
6. Снимите вентилятор с держателя.
7. Установите новый вентилятор в обратном порядке. Убедитесь в том, что поток воздуха от вентилятора направлен вверх.
8. Сбросьте счетчик в группе 5 в основной программе управления.

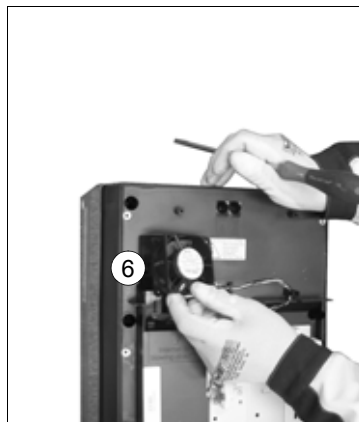
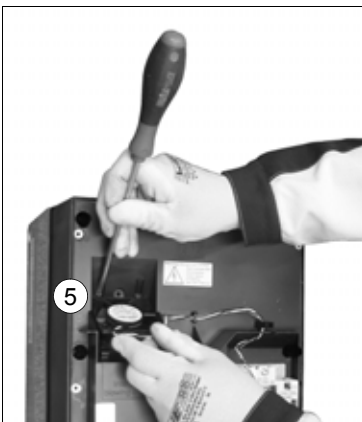
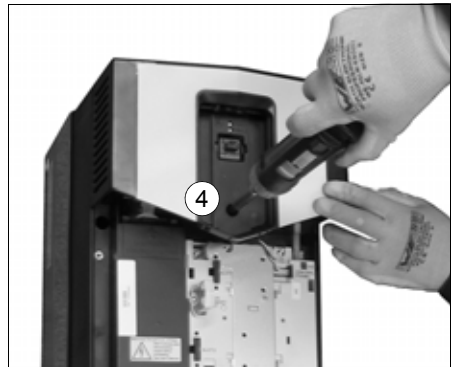
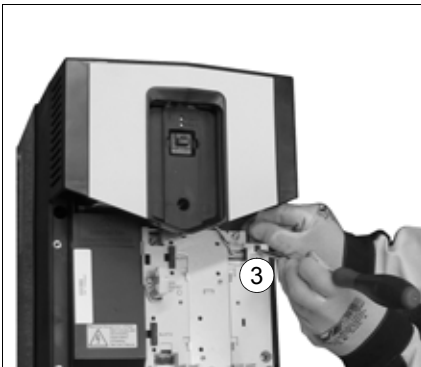


■ Замена вспомогательного вентилятора охлаждения, типоразмеры R6...R9



ПРЕДУПРЕЖДЕНИЕ! Соблюдайте указания по технике безопасности, приведенные на стр. 14. Несоблюдение этих указаний может привести к травме, смертельному исходу или повреждению оборудования.

1. Отсоедините привод от питающей сети. Заблокируйте главный разъединитель и путем измерения убедитесь в отсутствии напряжения.
2. Снимите нижнюю переднюю крышку (см. стр. 101).
3. Отсоедините кабели питания панели управления от клеммы X13 блока управления, а кабели питания вспомогательного вентилятора охлаждения от клеммы X208:FAN2.
4. Снимите верхнюю переднюю панель.
5. Освободите фиксаторы.
6. Удалите вентилятор, поднимая вверх.
7. Установите новый вентилятор в обратном порядке. Убедитесь, что стрелка на вентиляторе указывает вверх.

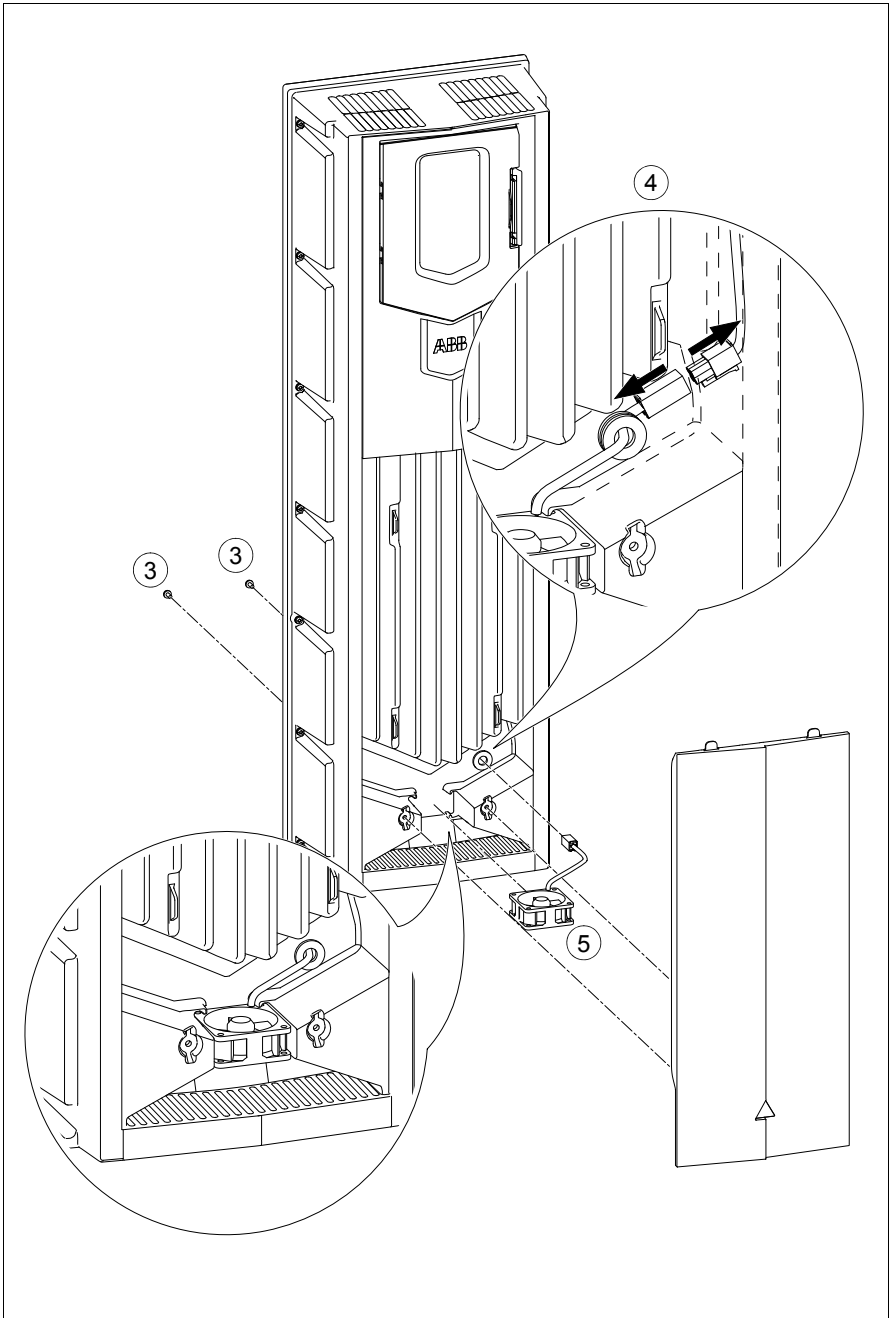


■ Замена вспомогательного вентилятора охлаждения IP55 для типоразмеров R8 и R9




ПРЕДУПРЕЖДЕНИЕ! Соблюдайте указания по технике безопасности, приведенные на стр. 14. Несоблюдение этих указаний может привести к травмам и летальному исходу, а также может стать причиной повреждения оборудования.

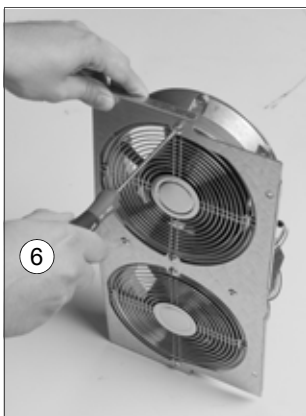
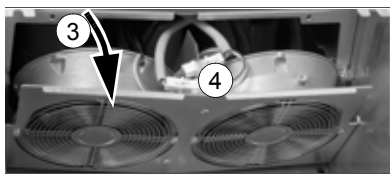
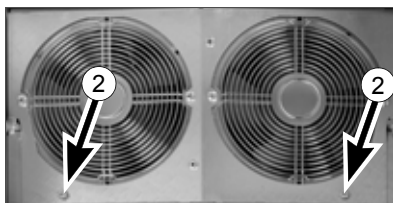
1. Отсоедините привод от питающей сети. Заблокируйте главный разъединитель и путем измерения убедитесь в отсутствии напряжения.
 2. Снимите переднюю панель IP55.
 3. Снимите нижнюю переднюю панель с панели IP55.
 4. Отсоедините провода питания вентилятора.
 5. Снимите вентилятор.
 6. Установите новый вентилятор в обратном порядке. Убедитесь, что стрелка на вентиляторе указывает вверх.
 7. Сбросьте счетчик в группе 5 в основной программе управления.
-



■ Замена основных вентиляторов охлаждения, типоразмер R9

 **ПРЕДУПРЕЖДЕНИЕ!** Соблюдайте указания по технике безопасности, приведенные на стр. 14. Несоблюдение этих указаний может привести к травмам и летальному исходу, а также может стать причиной повреждения оборудования.

1. Отсоедините привод от питающей сети. Заблокируйте главный разъединитель и путем измерения убедитесь в отсутствии напряжения.
2. Отверните два крепежных винта держателя вентилятора (ниже показан вид привода снизу).
3. Поверните держатель вниз.
4. Отсоедините провода питания вентилятора.
5. Удалите держатель вентилятора.
6. Снимите вентилятор, отвернув два крепежных винта.
7. Установите новый вентилятор в обратном порядке. Убедитесь в том, что поток воздуха от вентилятора направлен вверх.
8. Сбросьте счетчик в группе 5 в основной программе управления.



Замена привода (IP21, UL тип 1, типоразмеры R1...R9)

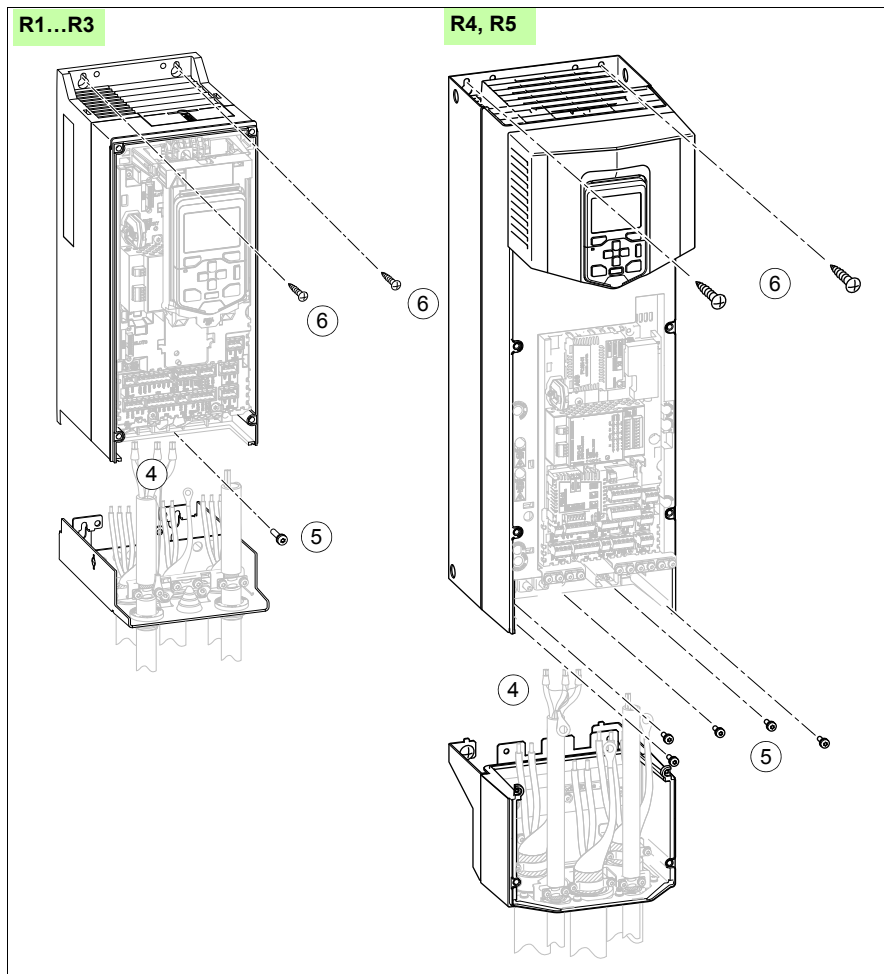
В данном разделе приведены указания по замене приводного модуля без коробки ввода кабелей. В этом случае можно оставить смонтированные кабели (кроме отсоединения проводников).

Примечание для приводов IP55 (UL тип 12): Не разрешается снимать коробку ввода кабелей.



ПРЕДУПРЕЖДЕНИЕ! Соблюдайте указания по технике безопасности, приведенные на стр. 14. Несоблюдение этих указаний может привести к травмам и летальному исходу, а также может стать причиной повреждения оборудования.

1. Отсоедините привод от питающей сети. Заблокируйте главный разъединитель и путем измерения убедитесь в отсутствии напряжения.
 2. Снимите передние крышки. См. раздел *Порядок подключения для типоразмеров R1...R3* на стр. 93 или *Порядок подключения для типоразмеров R4 и R5* на стр. 96.
 3. Для типоразмеров R6...R9: Удалите боковые пластины коробки ввода кабелей, открутив крепежные винты.
 4. Отсоедините кабели питания и управления.
 5. Отверните винты, крепящие приводной модуль к коробке ввода кабелей.
 6. Отверните два винта, которые крепят приводной модуль к стене сверху.
 7. Отверните два винта, которые крепят приводной модуль и коробку ввода кабелей к стене. Оставьте нижние винты, которые крепят коробку ввода кабелей к стене.
 8. Выньте привод, поднимая вверх.
 9. Установите новый приводной модуль в обратном порядке.
-



Конденсаторы

В промежуточном звене постоянного тока привода используется несколько электролитических конденсаторов. Их срок службы зависит от времени работы привода, нагрузки и температуры окружающего воздуха. При снижении температуры окружающего воздуха срок службы конденсаторов увеличивается.

В случае типоразмеров R1...R3 конденсаторы установлены на плате ZINT, а в случае типоразмеров R4 и R5 – на плате ZMAC. В приводах типоразмеров R6...R8 они находятся отдельно.

Отказ конденсаторов обычно приводит к выходу привода из строя и сопровождается перегоранием сетевого предохранителя или срабатыванием системы защиты. В случае подозрения на отказ конденсаторов обратитесь к представителю ABB. Конденсаторы для замены можно получить в корпорации ABB. Используйте только запасные части, рекомендуемые корпорацией ABB.

■ Формовка конденсаторов

Если на привод не подавалось питание в течение года или более, выполните формовку конденсаторов. Чтобы определить, сколько времени прошло после даты изготовления, обратитесь к стр. 33. Относительно формования конденсаторов см. *Инструкцию по формованию конденсаторов преобразовательного модуля* (код английской версии 3BFE64059629).

Блок памяти

Когда заменяется привод, настройки параметров можно сохранить путем перестановки блока памяти с неисправного привода на новый. Блок памяти расположен на блоке управления (см. стр. 31).

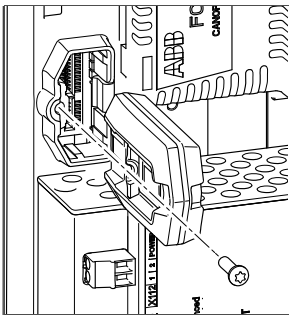


ПРЕДУПРЕЖДЕНИЕ! Запрещается снимать или устанавливать блок памяти, если на привод подается питание или блок управления питается от внешнего источника.

После включения питания привод сканирует блок памяти. Если обнаруживаются отличающиеся значения параметров, они копируются в привод. На это может потребоваться несколько минут.

■ Замена блока памяти

Отверните крепежный винт блока памяти и удалите блок вверх. Установка блока производится в обратном порядке. **Примечание.** Около гнезда блока памяти находится запасной винт.



Замена батареи панели управления

Батарея находится с задней стороны панели управления. Установите новую батарею CR 2032. Утилизация старой батареи производится в соответствии с действующими нормами или местными правилами.



Замена модулей функций защиты (FSO-12, дополнительный компонент +Q973)

Не ремонтируйте модули функций защиты. Замените вышедший из строя модуль новым, выполняя действия, приведенные в [Монтаж модулей функций защиты](#) на стр. 121.



Технические характеристики

Обзор содержания главы

В этой главе приведены технические характеристики привода, например номинальные значения, размеры и технические требования, условия выполнения требований CE и других стандартов.

Приводы, одобренные для морского применения, (дополнительный компонент +C132)

Номинальные характеристики, сведения о морском исполнении и ссылки на свидетельства утверждения типа для приводов в морском исполнении см. в документе *ACS880-01/04+C132 marine type-approved drives supplement* (код английской версии 3AXD50000010521).

Номинальные характеристики

В таблице ниже приведены номинальные характеристики приводов с частотой питания 50 и 60 Гц. Расшифровка обозначений дана после таблицы.

ПАСПОРТНЫЕ ХАРАКТЕРИСТИКИ ПО ИЕС										
Тип привода ACS880-01-	Типо-размер	Входные параметры	Выходные характеристики							
			Номинальный режим				Работа с небольшой перегрузкой		Работа в тяжелом режиме	
			I_N	I_{max}	I_N	P_N	S_N	I_{Ld}	P_{Ld}	I_{Nd}
A	A	A	кВт	кВА	A	кВт	A	кВт		
$U_N = 230 В$										
04A6-2	R1	4,6	6,3	4,6	0,75	1,8	4,4	0,75	3,7	0,55
06A6-2	R1	6,6	7,8	6,6	1,1	2,6	6,3	1,1	4,6	0,75
07A5-2	R1	7,5	11,2	7,5	1,5	3,0	7,1	1,5	6,6	1,1
10A6-2	R1	10,6	12,8	10,6	2,2	4,2	10,1	2,2	7,5	1,5
16A8-2	R2	16,8	18,0	16,8	4,0	7	16,0	4,0	10,6	2,2
24A3-2	R2	24,3	28,6	24,3	5,5	10	23,1	5,5	16,8	4,0
031A-2	R3	31,0	41	31	7,5	12	29,3	7,5	24,3	5,5
046A-2	R4	46	64	46	11	18	44	11	38	7,5
061A-2	R4	61	76	61	15	24	58	15	45	11,0
075A-2	R5	75	104	75	18,5	30	71	18,5	61	15
087A-2	R5	87	122	87	22	35	83	22	72	18,5
115A-2	R6	115	148	115	30	46	109	30	87	22,0
145A-2	R6	145	178	145	37	58	138	37	105	30,0
170A-2	R7	170	247	170	45	68	162	45	145	37
206A-2	R7	206	287	206	55	82	196	55	169	45
274A-2	R8	274	362	274	75	109	260	75	213	55
$U_N = 400 В$										
02A4-3	R1	2,4	3,1	2,4	0,75	1,7	2,3	0,75	1,8	0,55
03A3-3	R1	3,3	4,1	3,3	1,1	2,3	3,1	1,1	2,4	0,75
04A0-3	R1	4,0	5,6	4,0	1,5	2,8	3,8	1,5	3,3	1,1
05A6-3	R1	5,6	6,8	5,6	2,2	3,9	5,3	2,2	4,0	1,5
07A2-3	R1	8,0	9,5	8,0	3,0	5,5	7,6	3,0	5,6	2,2
09A4-3	R1	10,0	12,2	10,0	4,0	6,9	9,5	4,0	8,0	3,0
12A6-3	R1	12,9	16,0	12,9	5,5	8,9	12,0	5,5	10,0	4,0
017A-3	R2	17	21	17	7,5	12	16	7,5	12,6	5,5
025A-3	R2	25	29	25	11	17	24	11	17	7,5
032A-3	R3	32	42	32	15	22	30	15	25	11
038A-3	R3	38	54	38	18,5	26	36	18,5	32	15,0
045A-3	R4	45	64	45	22	31	43	22	38	19
061A-3	R4	61	76	61	30	42	58	30	45	22
072A-3	R5	72	104	72	37	50	68	37	61	30

ПАСПОРТНЫЕ ХАРАКТЕРИСТИКИ ПО IEC											
Тип привода ACS880-01-	Типо-размер	Вход-ные пара-метры	Выходные характеристики								
			Номинальный режим				Работа с небольшой перегрузкой		Работа в тяжелом режиме		
			I_{N}	I_{max}	I_{N}	P_{N}	S_{N}	I_{Ld}	P_{Ld}	I_{Nd}	P_{Nd}
			А	А	А	кВт	кВА	А	кВт	А	кВт
087A-3	R5	87	122	87	45	60	83	45	72	37	
105A-3	R6	105	148	105	55	73	100	55	87	45	
145A-3	R6	145	178	145	75	100	138	75	105	55	
169A-3	R7	169	247	169	90	117	161	90	145	75	
206A-3	R7	206	287	206	110	143	196	110	169	90	
246A-3	R8	246	350	246	132	170	234	132	206	110	
293A-3	R8	293	418	293	160	203	278	160	246*	132	
363A-3	R9	363	498	363	200	251	345	200	293	160	
430A-3	R9	430 ¹⁾	545	430 ¹⁾	250	298	400	200	363**	200	
1) При температуре воздуха 25 °C ток составляет 451 А.											
U _N = 400 В											
02A1-5	R1	2,1	3,1	2,1	0,75	1,8	2,0	0,55	1,7	0,55	
03A0-5	R1	3,0	4,1	3,0	1,1	2,6	2,8	1,1	2,1	0,75	
03A4-5	R1	3,4	5,6	3,4	1,1	2,9	3,2	1,1	3,0	1,1	
04A8-5	R1	4,8	6,8	4,8	1,5	4,2	4,6	1,5	3,4	1,1	
05A2-5	R1	5,2	9,5	5,2	2,2	4,5	5,0	2,2	4,8	1,5	
07A6-5	R1	7,6	12,2	7,6	3,0	6,6	7,2	3,0	5,2	2,2	
11A0-5	R1	11,0	16,0	11,0	4,0	9,5	10,4	4,0	7,6	3,0	
014A-5	R2	14	21	14	5,5	12	13	5,5	11	4,0	
021A-5	R2	21	29	21	7,5	18	19	7,5	14	5,5	
027A-5	R3	27	42	27	11	23	26	11	21	7,5	
034A-5	R3	34	54	34	15	29	32	15,0	27	11	
040A-5	R4	40	64	40	18,5	35	38	18,5	34	15	
052A-5	R4	52	76	52	22	45	49	22	40	18,5	
065A-5	R5	65	104	65	30	56	62	30	52	22	
077A-5	R5	77	122	77	37	67	73	37	65	30	
096A-5	R6	96	148	96	45	83	91	45	77	37	
124A-5	R6	124	178	124	55	107	118	55	96	45	
156A-5	R7	156	247	156	75	135	148	75	124	55	
180A-5	R7	180	287	180	90	156	171	90	156	75	
240A-5	R8	240	350	240	110	208	228	110	180	90	
260A-5	R8	260	418	260	132	225	247	132	240*	110	
361A-5	R9	361	542	361	200	313	343	160	302	160	
414A-5	R9	414	542	414	200	359	393	200	361**	200	

ПАСПОРТНЫЕ ХАРАКТЕРИСТИКИ ПО ИЕС										
Тип привода ACS880-01-	Типо-размер	Входные параметры	Выходные характеристики							
			Номинальный режим				Работа с небольшой перегрузкой		Работа в тяжелом режиме	
			I_{IN}	I_{max}	I_N	P_N	S_N	I_{Ld}	P_{Ld}	I_{Hd}
А	А	А	кВт	кВА	А	кВт	А	кВт		
$U_N = 500 В$										
02A1-5	R1	2,1	3,1	2,1	0,75	1,8	2,0	0,75	1,7	0,55
03A0-5	R1	3,0	4,1	3,0	1,1	2,6	2,8	1,1	2,1	0,75
03A4-5	R1	3,4	5,6	3,4	1,5	2,9	3,2	1,5	3,0	1,1
04A8-5	R1	4,8	6,8	4,8	2,2	4,2	4,6	2,2	3,4	1,5
05A2-5	R1	5,2	9,5	5,2	3,0	4,5	4,9	3,0	4,8	2,2
07A6-5	R1	7,6	12,2	7,6	4,0	6,6	7,2	4,0	5,2	3,0
11A0-5	R1	11,0	16,0	11,0	5,5	9,5	10,4	5,5	7,6	4,0
014A-5	R2	14	21	14	7,5	12	13	7,5	11	5,5
021A-5	R2	21	29	21	11	18	19	11,0	14	7,5
027A-5	R3	27	42	27	15	23	26	15	21	11
034A-5	R3	34	54	34	18,5	29	32	18,5	27	15,0
040A-5	R4	40	64	40	22	35	38	22	34	19
052A-5	R4	52	76	52	30	45	49	30	40	22
065A-5	R5	65	104	65	37	56	62	37	52	30
077A-5	R5	77	122	77	45	67	73	45	65	37
096A-5	R6	96	148	96	55	83	91	55	77	45
124A-5	R6	124	178	124	75	107	118	75	96	55
156A-5	R7	156	247	156	90	135	148	90	124	75
180A-5	R7	180	287	180	110	156	171	110	156	90
240A-5	R8	240	350	240	132	208	228	132	180	110
260A-5	R8	260	418	260	160	225	247	160	240*	132
361A-5	R9	361	542	361	200	313	343	200	302	200
414A-5	R9	414	542	414	250	359	393	250	361**	200

ПАСПОРТНЫЕ ХАРАКТЕРИСТИКИ ПО IEC										
Тип привода ACS880-01-	Типо-размер	Вход-ные пара-метры	Выходные характеристики							
			Номинальный режим				Работа с небольшой перегрузкой		Работа в тяжелом режиме	
			I_{1N}	I_{max}	I_N	P_N	S_N	I_{Ld}	P_{Ld}	I_{Nd}
А	А	А	кВт	кВА	А	кВт	А	кВт		
$U_N = 690$ В										
07A3-7	R5	7,3	12,2	7,3	5,5	8,7	6,9	5,5	5,6	4
09A8-7	R5	9,8	18	9,8	7,5	11,7	9,3	7,5	7,3	5,5
14A2-7	R5	14,2	22	14,2	11	17	13,5	11	9,8	7,5
018A-7	R5	18	30	18	15	22	17	15	14,2	11
022A-7	R5	22	44	22	18,5	26	21	18,5	18	15
026A-7	R5	26	54	26	22	31	25	22	22	18,5
035A-7	R5	35	64	35	30	42	33	30	26	22
042A-7	R5	42	74	42	37	50	40	37	35	30
049A-7	R5	49	76	49	45	59	47	45	42	37
061A-7	R6	61	104	61	55	73	58	55	49	45
084A-7	R6	84	124	84	75	100	80	75	61	55
098A-7	R7	98	168	98	90	117	93	90	84	75
119A-7	R7	119	198	119	110	142	113	110	98	90
142A-7	R8	142	250	142	132	170	135	132	119	110
174A-7	R8	174	274	174	160	208	165	160	142	132
210A-7	R9	210	384	210	200	251	200	200	174	160
271A-7	R9	271	411	271	250	324	257	250	210	200

3AXD00000588487

ПАСПОРТНЫЕ ХАРАКТЕРИСТИКИ ПО NEMA										
Тип привода ACS880-01-	Типо-размер	Входные параметры	Выходные характеристики							
			Макс. ток	Кажущаяся мощность	Работа с небольшой перегрузкой			Работа в тяжелом режиме		
		I_{1N}	I_{max}	S_n	I_{Ld}	P_{Ld}		I_{Nd}	P_{Nd}	
		А	А	кВА	А	кВт	л.с.	А	кВт	л.с.
$U_N = 230 В$										
04A6-2	R1	4,4	6,3	1,8	4,4	0,75	1,0	3,7	0,55	0,75
06A6-2	R1	6,3	7,8	2,6	6,3	1,1	1,5	4,6	0,75	1,0
07A5-2	R1	7,1	11,2	3,0	7,1	1,5	2,0	6,6	1,1	1,5
10A6-2	R1	10,1	12,8	4,2	10,1	2,2	3,0	7,5	1,5	2,0
16A8-2	R2	16,0	18,0	7	16,0	4,0	5,0	10,6	2,2	3,0
24A3-2	R2	23,1	28,6	10	23,1	5,5	7,5	16,8	4,0	5,0
031A-2	R3	29,3	41	12	29,3	7,5	10	24,3	5,5	7,5
046A-2	R4	44	64	18	44	11	15	38	7,5	10
061A-2	R4	58	76	24	58	15	20	45	11,0	15
075A-2	R5	71	104	30	71	18,5	25	61	15	20
087A-2	R5	83	122	35	83	22	30	72	18,5	25
115A-2	R6	109	148	46	109	30	40	87	22,0	30
145A-2	R6	138	178	58	138	37	50	105	30,0	40
170A-2	R7	162	247	68	162	45	60	145	37	50
206A-2	R7	196	287	82	196	55	75	169	45	60
274A-2	R8	260	362	109	260	75	100	213	55	75

ПАСПОРТНЫЕ ХАРАКТЕРИСТИКИ ПО NEMA											
Тип привода ACS880-01-	Типо-размер	Вход-ные пара-метры	Выходные характеристики								
			Макс. ток	Кажу-щаяся мощ-ность	Работа с небольшой перегрузкой			Работа в тяжелом режиме			
			I_{1N}	I_{max}	S_n	I_{Ld}	P_{Ld}		I_{Nd}	P_{Nd}	
			А	А	кВА	А	кВт	л.с.	А	кВт	л.с.
$U_N = 460$ В											
02A1-5	R1	2,1	3,1	1,8	2,1	0,75	1,0	1,7	0,55	0,75	
03A0-5	R1	3,0	4,1	2,6	3,0	1,1	1,5	2,1	0,75	1,0	
03A4-5	R1	3,4	5,6	2,9	3,4	1,5	2,0	3,0	1,1	1,5	
04A8-5	R1	4,8	6,8	4,2	4,8	2,2	3,0	3,4	1,5	2,0	
05A2-5	R1	5,2	9,5	4,5	5,2	3,0	3,0	4,8	1,5	2,0	
07A6-5	R1	7,6	12,2	6,6	7,6	4,0	5,0	5,2	2,2	3,0	
11A0-5	R1	11	16,0	9,5	11	5,5	7,5	7,6	4,0	5,0	
014A-5	R2	14	21	12	14	7,5	10	11	5,5	7,5	
021A-5	R2	21	29	18	21	11	15	14	7,5	10	
027A-5	R3	27	42	23	27	15	20	21	11	15	
034A-5	R3	34	54	29	34	18,5	25	27	15	20,0	
040A-5	R4	40	64	35	40	22	30	34	18,5	25	
052A-5	R4	52	76	45	52	30	40	40	22	30	
065A-5	R5	65	104	56	65	37	50	52	30	40	
077A-5	R5	77	122	67	77	45	60	65	37	50	
096A-5	R6	96	148	83	96	55	75	77	45	60	
124A-5	R6	124	178	107	124	75	100	96	55	75	
156A-5	R7	156	247	135	156	90	125	124	75	100	
180A-5	R7	180	287	156	180	110	150	156	90	125	
240A-5	R8	240	350	208	240	132	200	180	110	150	
260A-5	R8	260	418	225	260	132	200	240*	110	150	
302A-5	R9	302	498	262	302	200	250	260	132	200	
361A-5	R9	361	542	313	361	200	300	302	200	250	
414A-5	R9	414	542	359	393 ²⁾	250	350	361**	200	300	

²⁾ При температуре воздуха 30 °C ток составляет 414 А.

ПАСПОРТНЫЕ ХАРАКТЕРИСТИКИ ПО NEMA											
Тип привода ACS880-01-	Типо-размер	Входные параметры	Выходные характеристики								
			Макс. ток	Кажущаяся мощность	Работа с небольшой перегрузкой			Работа в тяжелом режиме			
			I_{1N}	I_{max}	S_n	I_{Ld}	P_{Ld}		I_{Nd}	P_{Nd}	
			А	А	кВА	А	кВт	л.с.	А	кВт	л.с.
$U_N = 575$ В											
07A3-7	R5	9	12,2	8,7	9	5,5	7,5	6,1	4,0	5,0	
09A8-7	R5	11	18	11,7	11	7,5	10	9	5,5	7,5	
14A2-7	R5	17	22	17	17	11	15	11	7,5	10	
018A-7	R5	22	30	22	22	15	20	17	11	15	
022A-7	R5	27	44	26	27	18,5	25	22	15	20	
026A-7	R5	32	54	31	32	22	30	27	18,5	25	
035A-7	R5	41	64	42	41	30	40	32	22	30	
042A-7	R5	52	74	50	52	37	50	41	30	40	
049A-7	R5	52	76	59	52	37	50	41	30	40	
061A-7	R6	62	104	73	62	45	60	52	37	50	
084A-7	R6	77	124	100	77	55	75	62	45	60	
098A-7	R7	99	168	117	99	75	100	77	55	75	
119A-7	R7	125	198	142	125	90	125	99	75	100	
142A-7	R8	144	250	170	144	110	150	125	90	125	
174A-7 (См. ниже примечание 3)	R8	180	274	208	180	132	200	144	110	150	
210A-7	R9	242	384	251	242	160	250	192	132	200	
271A-7 (См. ниже примечание 4)	R9	271	411	324	271	200	250	242*	160	250	

3AXD00000588487

■ Определения

U_N	Номинальное напряжение привода
I_{1N}	Номинальный входной ток (эфф. значение)
I_N	Номинальный выходной ток (протекающий постоянно при отсутствии перегрузки)
P_N	Типовая мощность двигателя при работе без перегрузки
I_{Ld}	Длительный выходной ток (эфф. значение), допускается перегрузка 10 % в течение 1 мин каждые 5 мин
P_{Ld}	Типовая мощность двигателя при работе с небольшой перегрузкой
I_{max}	Максимальный выходной ток. Допускается в течение 10 секунд при пуске; затем длительность ограничивается температурой привода.
I_{Hd}	Длительный выходной ток (эфф. значение), допускается перегрузка 50 % в течение 1 минуты каждые 5 минут. * Длительный выходной ток (эфф. значение), допускается перегрузка 30 % в течение 1 минуты каждые 5 минут. ** Длительный выходной ток (эфф. значение), допускается перегрузка 25 % в течение 1 минуты каждые 5 минут.
P_{Hd}	Типовая мощность двигателя в тяжелом режиме.

Примечание 1. Характеристики указаны для температуры окружающего воздуха 40 °С.

Примечание 2. Для обеспечения номинальной мощности двигателя, указанной в данной таблице, номинальный ток привода должен быть не меньше номинального тока двигателя.

Для выбора комбинации привода, двигателя и редуктора рекомендуется пользоваться компьютерной программой выбора оборудования DriveSize, предлагаемой корпорацией АВВ.

Примечание 3 — Номинальный ток устройства ACS880-01-174A-7. Привод может непрерывно выдавать ток 192 А без перегрузки.

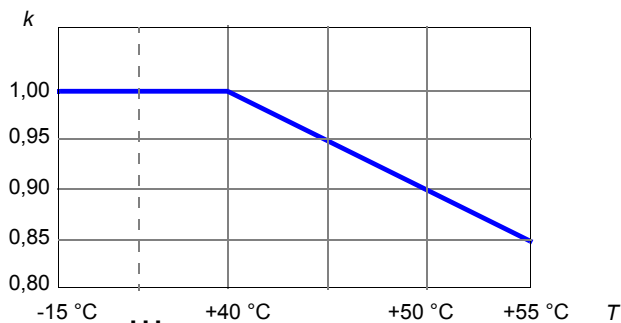
Примечание 4 — Номинальный ток устройства ACS880-01-271A-7. Номинальная мощность соответствует стандарту NEC (таблица 42.1). Однако если полный ток нагрузки двигателя не превышает 271 А, привод может использоваться для типового 4-полюсного двигателя мощностью до 300 л. с. При этом обеспечивается соответствие стандарту на минимальный КПД NEMA MG 1 (таблица 12-11) (электродвигатели с КПД согласно Закону об энергетической политике США).

Снижение номинальных характеристик

■ Снижение из-за температуры окружающей среды

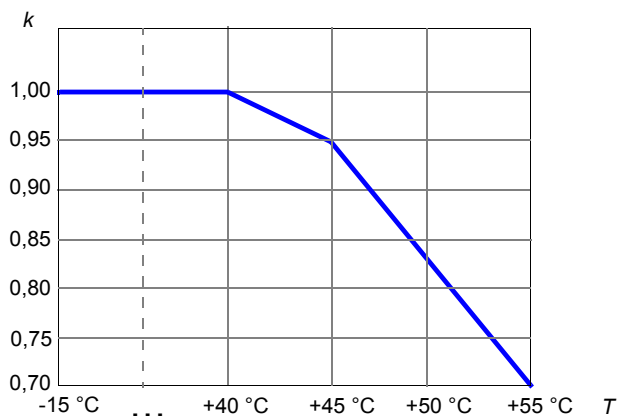
Приводы с классом защиты IP21 (UL тип 1) и другие типы приводов с классом защиты IP55 (UL тип 12), кроме приведенных в нижеследующих подпунктах

В температурном диапазоне +40...55 °С номинальный выходной ток снижается на 1 % на каждый 1 °С повышения температуры. Выходной ток рассчитывается путем умножения значения, приведенного в таблице номинальных характеристик, на коэффициент снижения (k):



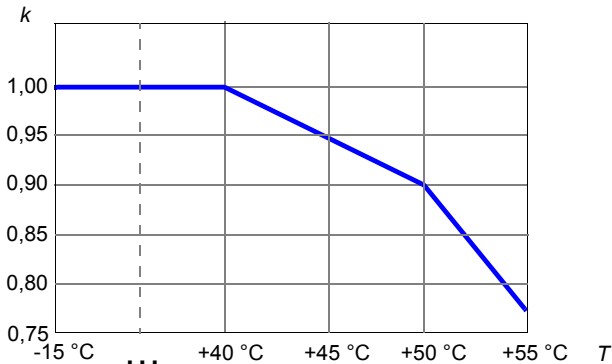
Приводов с классом защиты IP55 (UL Type 12) типов -274А-2, 293А-3, -260А-5, -302А-5 и -174А-7

В температурном диапазоне +40...45 °С номинальный выходной ток снижается на 1 % на каждый 1 °С повышения температуры. В температурном диапазоне +45...55 °С номинальный выходной ток снижается на 2,5 % на каждый 1 °С повышения температуры. Выходной ток рассчитывается путем умножения значения, приведенного в таблице номинальных характеристик, на коэффициент снижения (k):



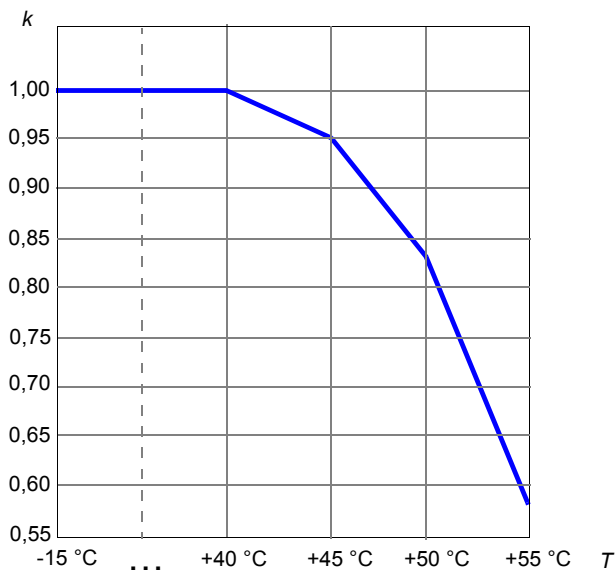
Привод типа IP55 (UL тип 12) -240А-5

В температурном диапазоне +40...50 °С номинальный выходной ток снижается на 1 % на каждый 1 °С повышения температуры. В температурном диапазоне +50...55 °С номинальный выходной ток снижается на 2,5 % на каждый 1 °С повышения температуры. Выходной ток рассчитывается путем умножения значения, приведенного в таблице номинальных характеристик, на коэффициент снижения (k):



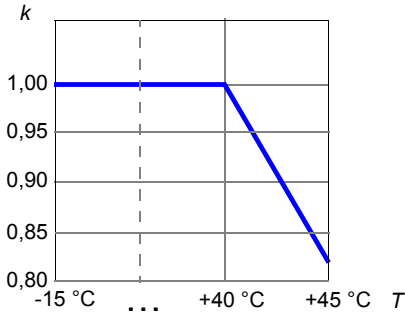
Приводы с классом защиты IP55 (UL Type 12) типов -363A-3 и -361A-5

В температурном диапазоне +40...45 °С номинальный выходной ток снижается на 1 % на каждый 1 °С повышения температуры. В температурном диапазоне +45...50 °С номинальный выходной ток снижается на 2,5 % на каждый 1 °С повышения температуры. В температурном диапазоне +50...55 °С номинальный выходной ток снижается на 5 % на каждый 1 °С повышения температуры. Выходной ток рассчитывается путем умножения значения, приведенного в таблице номинальных характеристик, на коэффициент снижения (k):



Привод с классом защиты IP55 (UL тип 12) типа -210A-7

В температурном диапазоне +40...45 °С номинальный выходной ток снижается на 3,5 % на каждый 1 °С повышения температуры. Температура должна быть не выше 45 °С. Выходной ток рассчитывается путем умножения значения, приведенного в таблице номинальных характеристик, на коэффициент снижения (k):

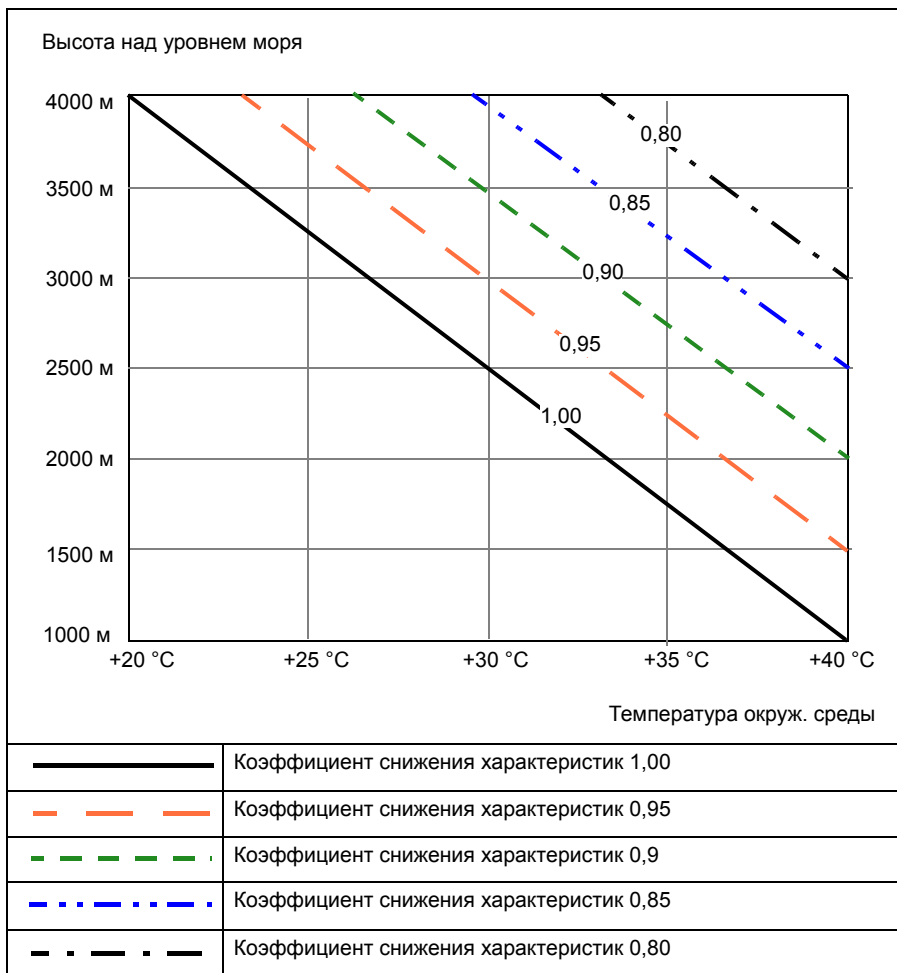


Приводы IP55 (UL тип 12) типы -0430A-3, -0414A-5 и -0271A-7

Температура воздуха должна быть не выше 35 °С.

■ Снижение в зависимости от высоты над уровнем моря

На высоте от 1000 до 4000 м над уровнем моря снижение составляет 1 % на каждые 100 м увеличения высоты. При температуре окружающей среды ниже +40 °С (+104 °F) снижение характеристик можно сократить на 1,5 % на каждый 1 °С уменьшения температуры. Для более точной оценки снижения характеристик пользуйтесь компьютерной программой DriveSize. Ниже приведено несколько графиков снижения характеристик в зависимости от высоты над уровнем моря. Для более точной оценки снижения характеристик пользуйтесь компьютерной программой DriveSize.



■ Снижение характеристик для специальных настроек в программе управления приводом

При включении специальных настроек в программе управления приводом может потребоваться снижение выходного тока.

Взрывобезопасный двигатель, синус-фильтр, пониженный шум

В следующих случаях обратитесь в корпорацию ABB по поводу снижения характеристик:

- привод используется с двигателем ABB во взрывоопасных атмосферах (Ex), и вариант **EX motor** выбран для параметра **95.15 Special HW settings**;
- используется синус-фильтр, указанный в таблице выбора на стр. 261, и вариант **ABB sine filter** выбран для параметра **95.15 Special HW settings**;
- вариант **Low noise optimization** выбран для параметра **97.09 Switching freq mode**.

Тип привода ACS880-01-	Выходные характеристики							
	Взрывобезопасный двигатель (взрывобезопасные двигатели ABB)				Синус-фильтр ABB			
	Номинальный режим		Работа в легком режиме	Работа в тяжелом режиме	Номинальный режим		Работа в легком режиме	Работа в тяжелом режиме
	I_N А	P_N кВт	I_{Ld} А	I_{Hd} А	I_N А	P_N кВт	I_{Ld} А	I_{Hd} А
$U_N = 230$ В								
04A6-2	4,6	0,75	4,4	3,7	4,3	0,55	4,1	3,5
06A6-2	6,6	1,1	6,3	4,6	6,2	0,8	5,9	4,3
07A5-2	7,5	1,5	7,1	6,6	7,4	1,5	7,0	6,2
10A6-2	10,6	2,2	10,1	7,5	10,0	2,2	9,5	7,4
16A8-2	16,8	4,0	16,0	10,6	15,9	4,0	15,1	10,0
24A3-2	24,3	5,5	23,1	16,8	23,1	5,5	21,9	15,9
031A-2	31	7,5	29,3	24,3	30,5	7,5	29,0	23,1
046A-2	46	11,0	44	38	43,0	11,0	41	31
061A-2	61	15	58	45	58	15	55	41
075A-2	75	19	71	61	65	15	62	55
087A-2	87	22	83	72	77	18,5	73	62
115A-2	106	22	101	87	100	22	95	73
145A-2	134	30	127	105	126	30	120	95
170A-2	161	37	153	134	153	37	145	120
206A-2	195	45	185	161	186	45	177	145
274A-2	251	55	238	195	233	55	221	169
$U_N = 400$ В								
02A4-3	2,4	0,75	2,3	1,80	2,3	0,55	2,2	1,7
03A3-3	3,3	1,1	3,1	2,4	3,1	0,75	2,9	2,3
04A0-3	4,0	1,5	3,8	3,3	3,8	1,1	3,6	3,1
05A6-3	5,6	2,2	5,3	4,0	5,3	1,5	5,0	3,8
07A2-3	8,0	3,0	7,6	5,6	7,2	2,2	6,8	5,3
09A4-3	10,0	4,0	9,5	8,0	9,2	3,0	8,7	7,2
12A6-3	12,9	5,5	12,0	10,0	12,1	4,0	11,5	9,2
017A-3	17	8	16	12,6	16	5,5	15	12
025A-3	25	11	24	17	23	7,5	22	16

Тип привода ACS880-01-	Выходные характеристики							
	Взрывобезопасный двигатель (взрывобезопасные двигатели АВВ)				Синус-фильтр АВВ			
	Номинальный режим		Работа в легком режиме	Работа в тяжелом режиме	Номинальный режим		Работа в легком режиме	Работа в тяжелом режиме
	I_N	P_N	I_{Ld}	I_{Hd}	I_N	P_N	I_{Ld}	I_{Hd}
А	кВт	А	А	А	кВт	А	А	
032A-3	32	15	30	25	31	11	29	23
038A-3	38	19	36	32	36	15	34	31
045A-3	45	22	43	38	43	18,5	41	36
061A-3	61	30	58	45	58	22	55	43
072A-3	72	37	68	61	64	30	61	58
087A-3	87	45	83	72	77	37	73	64
105A-3	97	45	92	87	91	45	86	77
145A-3	134	55	127	97	126	55	120	91
169A-3	160	75	152	134	152	75	144	126
206A-3	195	90	185	160	186	90	177	152
246A-3	225	110	214	195	209	110	199	186
293A-3	269	132	256	225*	249	132	237	209*
363A-3	325	160	309	269	296	160	281	249
430A-3	385	200	366	325**	352	160	334	296**
$U_N = 500 \text{ В}$								
02A1-5	2,1	0,75	2,0	1,7	1,9	0,55	1,8	1,5
03A0-5	3,0	1,1	2,8	2,1	2,8	0,75	2,7	1,9
03A4-5	3,4	1,5	3,2	3,0	3,1	1,1	2,9	2,8
04A8-5	4,8	2,2	4,6	3,4	4,4	1,5	4,2	3,1
05A2-5	5,2	3,0	5,0	4,8	4,8	2,2	4,6	4,4
07A6-5	7,6	4,0	7,2	5,2	7,0	3,0	6,7	4,8
11A0-5	11,0	5,5	10,4	7,6	10,2	4,0	9,7	7,0
014A-5	14	7,5	13	11	13	5,5	12	10,2
021A-5	21	11,0	19	14	19	7,5	18	13
027A-5	27	15	26	21	25	11,0	24	19,0
034A-5	34	18,5	32	27,0	31	15	29	25
040A-5	40	22	38	34	34	18,5	32	31,0
052A-5	52	30	49	40	44	22	42	34
065A-5	65	37	62	52	52	30	49	44
077A-5	77	45	73	65	61	37	58	52
096A-5	88	45	84	77	82	45	78	61
124A-5	115	55	109	88	104	55	99	82
156A-5	147	75	140	115	140	75	133	104
180A-5	170	90	162	147	161	90	153	140
240A-5	220	110	209	170	204	110	194	161
260A-5	238	132	226	220*	221	110	210	204*
361A-5	322	200	306	270	289	160	275	242

Тип привода ACS880-01-	Выходные характеристики							
	Взрывобезопасный двигатель (взрывобезопасные двигатели ABB)				Синус-фильтр ABB			
	Номинальный режим		Работа в легком режиме	Работа в тяжелом режиме	Номинальный режим		Работа в легком режиме	Работа в тяжелом режиме
	I_N	P_N	I_{Ld}	I_{Hd}	I_N	P_N	I_{Ld}	I_{Hd}
A	кВт	A	A	A	кВт	A	A	
414A-5	370	200	352	322**	332	200	315	289**
$U_N = 690 \text{ В}$								
07A3-7	7,3	5,5	6,9	5,6	6,9	4,0	6,6	5,5
09A8-7	9,8	7,5	9,3	7,3	9,3	5,5	8,8	6,9
14A2-7	14,2	11	13,5	10	13,5	7,5	12,8	9,3
018A-7	18	15	17	14	17	11	16	14
022A-7	22	18,5	21	18,0	21	15	20	17
026A-7	26	22	25	22	24	18,5	22,8	21
035A-7	35	30	33	26	33	22	31	24
042A-7	42	37	40	35	40	30	38	33
049A-7	49	45	47	42	46	37	44	40
061A-7	61	55	58	49	49	45	47	46
084A-7	84	75	80	61	68	55	65	49
098A-7	98	90	93	84	83	75	79	68
119A-7	119	110	113	98	101	90	96	83
142A-7	126	110	120	119	112	90	106	90
174A-7	154	132	146	126	137	110	130	112
210A-7	184	160	175	154	161	132	153	137
271A-7	238	200	226	184	207	160	197	161

ЗАХД00000588487

U_N	Диапазон напряжения питания
I_N	Номинальный выходной ток (протекающий постоянно при отсутствии перегрузки)
P_N	Типовая мощность двигателя при работе без перегрузки
I_{Ld}	Длительный выходной ток (эфф. значение), допускается перегрузка 10 % в течение 1 мин каждые 5 мин
I_{Hd}	Длительный выходной ток (эфф. значение), допускается перегрузка 50 % в течение 1 минуты каждые 5 минут. * Длительный выходной ток (эфф. значение), допускается перегрузка 30 % в течение 1 минуты каждые 5 минут. ** Длительный выходной ток (эфф. значение), допускается перегрузка 25 % в течение 1 минуты каждые 5 минут.
P_{Hd}	Типовая мощность двигателя в тяжелом режиме.
Примечание 1. Характеристики указаны для температуры окружающего воздуха 40 °С.	

Тип привода ACS880-01-	Выходные характеристики с выбранным вариантом Low noise optimization для параметра 97.09 Switching freq mode			
	Номинальный режим		Работа в легком режиме	Работа в тяжелом режиме
	I_N	P_N	I_{Ld}	I_{Nd}
	А	кВт	А	А
$U_N = 230$ В				
04A6-2	4,1		3,9	3,3
06A6-2	5,9		5,6	4,1
07A5-2	6,7		6,4	5,9
10A6-2	9,5		9,0	6,7
16A8-2	15,0		14,3	9,5
24A3-2	22,0		20,9	15,0
031A-2	30,0		28,5	22,0
046A-2	41,0		39,0	30,0
061A-2	56		53	41
075A-2	56		53	47
087A-2	67		64	56
115A-2	94		89	67
145A-2	118		112	94
170A-2	146		139	118
206A-2	178		169	146
274A-2	216		205	178
$U_N = 400$ В				
02A4-3	2,2		2,1	1,7
03A3-3	3,0		2,9	2,2
04A0-3	3,6		3,4	3,0
05A6-3	5,0		4,8	3,6
07A2-3	6,5		6,2	5,0
09A4-3	8,5		8,1	6,5
12A6-3	11,3		10,7	8,5
017A-3	15		14,3	11,3
025A-3	22		20,9	15,0
032A-3	30		29	22
038A-3	35		33	30
045A-3	41		39	35
061A-3	56		53	41
072A-3	56		53	47
087A-3	67		64	56
105A-3	86		82	67
145A-3	118		112	86

Тип привода ACS880-01-	Выходные характеристики с выбранным вариантом Low noise optimization для параметра 97.09 Switching freq mode			
	Номинальный режим		Работа в легком режиме	Работа в тяжелом режиме
	I_N	P_N	I_{Ld}	I_{Nd}
	А	кВт	А	А
169A-3	146		139	118
206A-3	178		169	146
246A-3	194		184	178
293A-3	236		224	194*
363A-3	274		260	236
430A-3	325		309	274**
$U_N = 500$ В				
02A1-5	1,8		1,7	1,4
03A0-5	2,6		2,5	1,8
03A4-5	2,9		2,8	2,6
04A8-5	4,1		3,9	2,9
05A2-5	4,4		4,2	4,1
07A6-5	6,5		6,2	4,4
11A0-5	9,4		8,9	6,5
014A-5	12,0		11,4	9,4
021A-5	18,0		17,1	12,0
027A-5	23,0		21,9	18,0
034A-5	29		28	23
040A-5	29		28	23
052A-5	37		35	29
065A-5	39		37	33
077A-5	46		44	39
096A-5	72		68	46
124A-5	93		88	72
156A-5	133		126	93
180A-5	153		145	133
240A-5	191		181	153
260A-5	206		196	191*
361A-5	258		245	206
414A-5	296		281	258**
$U_N = 690$ В				
07A3-7	6,9	4,0	6,6	5,5
09A8-7	9,3	5,5	8,8	6,9
14A2-7	13,5	7,5	12,8	9,3
018A-7	17	11	16	14
022A-7	21	15	20	17

Тип привода ACS880-01-	Выходные характеристики с выбранным вариантом Low noise optimization для параметра 97.09 Switching freq mode			
	Номинальный режим		Работа в легком режиме	Работа в тяжелом режиме
	I_N	P_N	I_{Ld}	I_{Hd}
	А	кВт	А	А
026A-7	24	18,5	22,8	21,0
035A-7	33	22	31	24
042A-7	40	30	38	33
049A-7	46	37	44	40
061A-7	49	45	47	46
084A-7	68	55	65	49
098A-7	83	75	79	68
119A-7	101	90	96	83
142A-7	101	90	96	84
174A-7	122	110	116	101
210A-7	138	132	131	122
271A-7	178	160	169	138

3AXD00000588487

U_N	Диапазон напряжения питания
I_N	Номинальный выходной ток (протекающий постоянно при отсутствии перегрузки)
P_N	Типовая мощность двигателя при работе без перегрузки
I_{Ld}	Длительный выходной ток (эфф. значение), допускается перегрузка 10 % в течение 1 мин каждые 5 мин
I_{Hd}	Длительный выходной ток (эфф. значение), допускается перегрузка 50 % в течение 1 минуты каждые 5 минут. * Длительный выходной ток (эфф. значение), допускается перегрузка 30 % в течение 1 минуты каждые 5 минут. ** Длительный выходной ток (эфф. значение), допускается перегрузка 25 % в течение 1 минуты каждые 5 минут.
P_{Hd}	Типовая мощность двигателя в тяжелом режиме.
Примечание 1. Характеристики указаны для температуры окружающего воздуха 40 °С.	

Режим высокой скорости

Если вариант **High speed mode** выбран для параметра **95.15 Special HW settings**, то улучшается характеристика управления при высоких выходных частотах. Этот вариант рекомендуется выбирать при выходной частоте 120 Гц и больше.

В этой таблице приведены номинальные характеристики приводного модуля для выходной частоты 120 Гц и максимальная выходная частота для номинальных характеристик, когда вариант **High speed mode** выбран для параметра **95.15 Special HW settings**. Когда выходные частоты меньше этой рекомендуемой максимальной выходной частоты, снижению тока соответствуют значения меньшие, чем указанные в таблице. Чтобы получить информацию относительно работы при частотах, превышающих рекомендуемую максимальную выходную частоту, или относительно снижения выходного тока при выходных частотах, больших 120 Гц, но меньших максимальной выходной частоты, обратитесь в корпорацию АВВ.

Тип приво- дного модуля ACS880-01-	Выходные характеристики (вариант High speed mode выбран для параметра 95.15 Special HW settings)									
	Выходная частота 120 Гц				Максимальная выходная частота					
	f	Номинальный режим		Неболь- шая пере- груза	Работа в тяжелом режиме	f _{max}	Номинальный режим		Неболь- шая перегру- зка	Работа в тяжелом режиме
		I _N	P _N				I _{Ld}	I _{Hd}		
Гц	А	кВт	А	А	Гц	А	кВт	А	А	
U_N = 230 В										
04A6-2	120					500	4,1		3,9	3,3
06A6-2	120					500	5,9		5,6	4,1
07A5-2	120					500	6,7		6,4	5,9
10A6-2	120					500	9,5		9,0	6,7
16A8-2	120					500	15,0		14,3	9,5
24A3-2	120					500	22,0		20,9	15,0
031A-2	120					500	30,0		28,5	22,0
046A-2	120					500	41,0		39,0	30,0
061A-2	120					500	56		53	41
075A-2	120					500	56		53	47
087A-2	120					500	67		64	56
115A-2	120					500	84		80	67
145A-2	120					500	106		101	84
170A-2	120					500	135		128	106
206A-2	120					500	165		157	135
274A-2	120					500	189		180	165

Тип приводного модуля ACS880-01-	Выходные характеристики (вариант High speed mode выбран для параметра 95.15 Special HW settings)									
	Выходная частота 120 Гц					Максимальная выходная частота				
	f	Номинальный режим		Небольшая перегрузка	Работа в тяжелом режиме	f _{max}	Номинальный режим		Небольшая перегрузка	Работа в тяжелом режиме
		I _N	P _N	I _{Ld}	I _{Hd}		I _N	P _N	I _{Ld}	I _{Hd}
Гц	А	кВт	А	А	Гц	А	кВт	А	А	
U_N = 400 В										
02A4-3	120					500	2,2		2,1	1,7
03A3-3	120					500	3,0		2,9	2,2
04A0-3	120					500	3,6		3,4	3,0
05A6-3	120					500	5,0		4,8	3,6
07A2-3	120					500	6,5		6,2	5,0
09A4-3	120					500	8,5		8,1	6,5
12A6-3	120					500	11,3		10,7	8,5
017A-3	120					500	15		14,3	11,3
025A-3	120					500	22		20,9	15,0
032A-3	120					500	30		29	22
038A-3	120					500	35		33	30
045A-3	120					500	41		39	35
061A-3	120					500	56		53	41
072A-3	120					500	56		53	47
087A-3	120					500	67		64	56
105A-3	120					500	77		73	67
145A-3	120					500	106		101	77
169A-3	120					500	135		128	106
206A-3	120					500	165		157	135
246A-3	120					500	170		162	143
293A-3	120					500	202		192	170*
363A-3	120					500	236		224	202
430A-3	120					500	280		266	236**
U_N = 500 В										
02A1-5	120					500	1,8		1,7	1,4
03A0-5	120					500	2,6		2,5	1,8
03A4-5	120					500	2,9		2,8	2,6
04A8-5	120					500	4,1		3,9	2,9
05A2-5	120					500	4,4		4,2	4,1
07A6-5	120					500	6,5		6,2	4,4
11A0-5	120					500	9,4		8,9	6,5

Тип приво- дного модуля ACS880-01-	Выходные характеристики (вариант High speed mode выбран для параметра 95.15 Special HW settings)										
	Выходная частота 120 Гц					Максимальная выходная частота					
	f	Номинальный режим		Небольшая перегрузка		Работа в тяжелом режиме	f_{max}	Номинальный режим		Небольшая перегрузка	
		I_N	P_N	I_{Ld}	I_{Nd}			I_N	P_N	I_{Ld}	I_{Nd}
Гц	А	кВт	А	А	Гц	А	кВт	А	А		
014A-5	120					500	12,0		11,4	9,4	
021A-5	120					500	18,0		17,1	12,0	
027A-5	120					500	23,0		21,9	18,0	
034A-5	120					500	29		28	23	
040A-5	120					500	29		28	23	
052A-5	120					500	37		35	29	
065A-5	120					500	39		37	33	
077A-5	120					500	46		44	39	
096A-5	120					500	58		55	46	
124A-5	120					500	74		70	58	
156A-5	120					500	122		116	74	
180A-5	120					500	140		133	122	
240A-5	120					500	168		160	140	
260A-5	120					500	182		173	168*	
361A-5	120					500	206		196	182	
414A-5	120					500	236		224	206**	
$U_N = 690$ В											
07A3-7	120					500	6,6		6,3	5,3	
09A8-7	120					500	8,8		8,4	6,6	
14A2-7	120					500	12,8		12,2	8,8	
018A-7	120					500	16		15	13	
022A-7	120					500	20		19	16	
026A-7	120					500	23		22	20	
035A-7	120					500	32		30	23	
042A-7	120					500	38		36	32	
049A-7	120					500	44		42	38	
061A-7	120					500	44		42	40	
084A-7	120					500	53		50	44	
098A-7	120					500	68		65	53	
119A-7	120					500	83		79	68	
142A-7	120					500	83		79	72	
174A-7	120					500	96		91	83	

Тип приво- дного модуля ACS880-01-	Выходные характеристики (вариант High speed mode выбран для параметра 95.15 Special HW settings)											
	Выходная частота 120 Гц					Максимальная выходная частота						
	f	Номинальный режим		Небольшая перегрузка		Работа в тяжелом режиме	f_{max}	Номинальный режим		Небольшая перегрузка		Работа в тяжелом режиме
		I_N	P_N	I_{Ld}	I_{Hd}			I_N	P_N	I_{Ld}	I_{Hd}	
Гц	А	кВт	А	А	Гц	А	кВт	А	А			
210A-7	120					500	101		96	83		
271A-7	120					500	130		124	101		

3AXD00000588487

f	Выходная частота
f_{max}	Максимальная выходная частота в режиме высокой скорости (High speed mode)
U_N	Номинальное напряжение привода
I_N	Длительный выходной ток (эфф. значение). При температуре 40 °C перегрузка не допускается
P_N	Номинальная мощность двигателя при работе без перегрузки.
I_{Ld}	Длительный выходной ток (эфф. значение), допускается перегрузка 10 % в течение 1 мин каждые 5 мин
I_{Hd}	Длительный выходной ток (эфф. значение), допускается перегрузка 50 % в течение 1 минуты каждые 5 минут * Длительный выходной ток (эфф. значение), допускается перегрузка 40 % в течение 1 мин каждые 5 мин. ** Длительный выходной ток (эфф. значение), допускается перегрузка 25 % в течение 1 минуты каждые 5 минут.

Предохранители (IEC)

Ниже приведены плавкие предохранители gG и aR для защиты от короткого замыкания во входном силовом кабеле или в приводе. Для типоразмеров R1...R6 допускается использовать предохранители любого типа, если они срабатывают достаточно быстро. Время срабатывания зависит от импеданса сети питания, а также от сечения и длины кабеля питания. Для типоразмеров R7...R9 должны использоваться быстродействующие предохранители (aR).

Примечание 1. См. также Защита от перегрева и короткого замыкания на стр. 76.

Примечание 2. Не допускается использовать предохранители на ток больший, чем рекомендуемый. Допускается применение предохранителей с более низким номиналом по току.

Примечание 3. Предохранители других производителей можно использовать, если они имеют соответствующие характеристики и если кривая плавления используемого предохранителя не хуже кривой плавления предохранителя, указанного в таблице.

■ Предохранители aR (типоразмеры R1...R9)

Быстродействующие (aR) (по одному на фазу)								
Тип привода ACS880-01-	Мин. ток короткого замыкания ¹⁾ (A)	Входной ток (A)	Предохранитель					
			A	A ² c	B	Изготовитель	Тип	Тип IEC 60269
U_N = 230 В								
04A6-2	30	4,6	16	48	690	Bussmann	170M1559	000
06A6-2	30	6,6	16	48	690	Bussmann	170M1559	000
07A5-2	30	7,5	16	48	690	Bussmann	170M1559	000
10A6-2	53	10,6	20	78	690	Bussmann	170M1560	000
16A8-2	65	16,8	25	130	690	Bussmann	170M1561	000
24A3-2	120	24,3	40	460	690	Bussmann	170M1563	000
031A-2	160	31,0	63	1450	690	Bussmann	170M1565	000
046A-2	280	46	80	2550	690	Bussmann	170M1566	000
061A-2	300	61	125	8500	690	Bussmann	170M1568	000
075A-2	380	75	125	3700	690	Bussmann	170M3813	1
087A-2	380	87	160	7500	690	Bussmann	170M3814	1
115A-2	500	115	200	15000	690	Bussmann	170M3815	1
145A-2	700	145	250	28500	690	Bussmann	170M3816	1
170A-2	1000	170	315	46500	690	Bussmann	170M3817	1
206A-2	1280	206	350	68500	690	Bussmann	170M3818	1
274A-2	1810	274	450	105000	690	Bussmann	170M5809	2
U_N = 400 В								
02A4-3	65	2,4	25	130	690	Bussmann	170M1561	000
03A3-3	65	3,3	25	130	690	Bussmann	170M1561	000
04A0-3	65	4,0	25	130	690	Bussmann	170M1561	000
05A6-3	65	5,6	25	130	690	Bussmann	170M1561	000
07A2-3	65	8,0	25	130	690	Bussmann	170M1561	000
09A4-3	65	10,0	25	130	690	Bussmann	170M1561	000
12A6-3	65	12,9	25	130	690	Bussmann	170M1561	000
017A-3	120	17	40	460	690	Bussmann	170M1563	000
025A-3	120	25	40	460	690	Bussmann	170M1563	000
032A-3	170	32	63	1450	690	Bussmann	170M1565	000
038A-3	170	38	63	1450	690	Bussmann	170M1565	000
045A-3	280	45	80	2550	690	Bussmann	170M1566	000
061A-3	380	61	100	4650	690	Bussmann	170M1567	000
072A-3	480	72	125	8500	690	Bussmann	170M1568	000
087A-3	480	87	160	16000	690	Bussmann	170M1569	000
105A-3	700	105	200	15000	690	Bussmann	170M3815	1
145A-3	700	145	250	28500	690	Bussmann	170M3816	1
169A-3	1280	169	315	46500	690	Bussmann	170M3817	1

быстродействующие (aR) (по одному на фазу)								
Тип привода ACS880-01-	Мин. ток короткого замыкания ¹⁾ (А)	Входной ток (А)	Предохранитель					
			А	А ² с	В	Изготовитель	Тип	Тип IEC 60269
206A-3	1280	206	350	68500	690	Bussmann	170M3818	1
246A-3	1520	246	450	105000	690	Bussmann	170M5809	2
293A-3	1810	293	500	145000	690	Bussmann	170M5810	2
363A-3	2620	363	630	275000	690	Bussmann	170M5812	2
430A-3	3010	430	700	405000	690	Bussmann	170M5813	2
U_N = 500 В								
02A1-5	65	2,1	25	130	690	Bussmann	170M1561	000
03A0-5	65	3,0	25	130	690	Bussmann	170M1561	000
03A4-5	65	3,4	25	130	690	Bussmann	170M1561	000
04A8-5	65	4,8	25	130	690	Bussmann	170M1561	000
05A2-5	65	5,2	25	130	690	Bussmann	170M1561	000
07A6-5	65	7,6	25	130	690	Bussmann	170M1561	000
11A0-5	65	11,0	25	130	690	Bussmann	170M1561	000
014A-5	120	14	40	460	690	Bussmann	170M1563	000
021A-5	120	21	40	460	690	Bussmann	170M1563	000
027A-5	170	27	63	1450	690	Bussmann	170M1565	000
034A-5	170	34	63	1450	690	Bussmann	170M1565	000
040A-5	280	40	80	2550	690	Bussmann	170M1566	000
052A-5	300	52	100	4650	690	Bussmann	170M1567	000
065A-5	480	65	125	8500	690	Bussmann	170M1568	000
077A-5	480	77	160	16000	690	Bussmann	170M1569	000
096A-5	700	96	200	15000	690	Bussmann	170M3815	1
124A-5	700	124	250	28500	690	Bussmann	170M3816	1
156A-5	1280	156	315	46500	690	Bussmann	170M3817	1
180A-5	1280	180	315	46500	690	Bussmann	170M3817	1
240A-5	1520	240	400	74000	690	Bussmann	170M5808	2
260A-5	1810	260	450	105000	690	Bussmann	170M5809	2
361A-5	2620	361	630	275000	690	Bussmann	170M5812	2
414A-5	3010	414	700	405000	690	Bussmann	170M5813	2
U_N = 690 В								
07A3-7	40	7,3	16	48	690	Bussmann	170M1559	000
09A8-7	53	9,8	20	78	690	Bussmann	170M1560	000
14A2-7	94	14,2	32	270	690	Bussmann	170M1562	000
018A-7	120	18	40	460	690	Bussmann	170M1563	000
022A-7	160	22	50	770	690	Bussmann	170M1564	000
026A-7	160	26	50	770	690	Bussmann	170M1564	000
035A-7	170	35	63	1450	690	Bussmann	170M1565	000
042A-7	280	42	80	2550	690	Bussmann	170M1566	000

Быстродействующие (aR) (по одному на фазу)								
Тип привода ACS880-01-	Мин. ток короткого замыкания ¹⁾ (A)	Входной ток (A)	Предохранитель					
			A	A ² c	B	Изготовитель	Тип	Тип IEC 60269
049A-7	280	49	80	2550	690	Bussmann	170M1566	000
061A-7	480	61	125	8500	690	Bussmann	170M1568	000
084A-7	700	84	160	16000	690	Bussmann	170M1569	000
098A-7	700	98	200	15000	690	Bussmann	170M3815	1
119A-7	700	119	200	15000	690	Bussmann	170M3815	1
142A-7	1000	142	250	28500	690	Bussmann	170M3816	1
174A-7	1280	174	315	46500	690	Bussmann	170M3817	1
210A-7	1610	210	400	74000	690	Bussmann	170M5808	2
271A-7	1610	271	500	145000	690	Bussmann	170M5810	2

¹⁾ минимальный ток короткого замыкания данной установки

■ Предохранители gG (типоразмеры R1–R9)

Проверьте по графику время-ток, что время срабатывания предохранителя меньше 0,5 секунды. Соблюдайте местные нормы и правила.

Предохранители gG (по одному на фазу)									
Привод типа ACS880-01...	Мин. ток короткого замыкания ¹⁾	Входной ток	Предохранитель						
			A	A	A	A ² c	B	Изготовитель	Тип
U_N = 230 В									
04A6-2	40	4,6	6	110	500	ABB	OFAF000H6	000	
06A6-2	80	6,6	10	360	500	ABB	OFAF000H10	000	
07A5-2	120	7,5	16	740	500	ABB	OFAF000H16	000	
10A6-2	120	10,6	16	740	500	ABB	OFAF000H16	000	
16A8-2	200	16,8	25	2500	500	ABB	OFAF000H25	000	
24A3-2	350	24,3	40	7700	500	ABB	OFAF000H40	000	
031A-2	400	31,0	50	16000	500	ABB	OFAF000H50	000	
046A-2	500	46	63	20100	500	ABB	OFAF000H63	000	
061A-2	800	61	80	37500	500	ABB	OFAF000H80	000	
075A-2	1000	75	100	65000	500	ABB	OFAF000H100	000	
087A-2	1300	87	125	100000	500	ABB	OFAF00H125	00	
115A-2	1700	115	160	170000	500	ABB	OFAF00H160	00	
145A-2	2300	145	200	300000	500	ABB	OFAF0H200	0	
170A-2	3300	170	250	600000	500	ABB	OFAF0H250	0	
206A-2	5500	206	315	710000	500	ABB	OFAF1H315	1	
274A-2	7000	274	400	1100000	500	ABB	OFAF2H400	2	
U_N = 400 В									
02A4-3	17	2,4	4	53	500	ABB	OFAF000H4	000	
03A3-3	40	3,3	6	110	500	ABB	OFAF000H6	000	
04A0-3	40	4,0	6	110	500	ABB	OFAF000H6	000	
05A6-3	80	5,6	10	355	500	ABB	OFAF000H10	000	
07A2-3	80	8,0	10	355	500	ABB	OFAF000H10	000	
09A4-3	120	10,0	16	700	500	ABB	OFAF000H16	000	
12A6-3	120	12,9	16	700	500	ABB	OFAF000H16	000	
017A-3	200	17	25	2500	500	ABB	OFAF000H25	000	
025A-3	250	25	32	4500	500	ABB	OFAF000H32	000	
032A-3	350	32	40	7700	500	ABB	OFAF000H40	000	
038A-3	400	38	50	15400	500	ABB	OFAF000H50	000	
045A-3	500	45	63	21300	500	ABB	OFAF000H63	000	
061A-3	800	61	80	37000	500	ABB	OFAF000H80	000	
072A-3	1000	72	100	63600	500	ABB	OFAF000H100	000	

Предохранители gG (по одному на фазу)								
Привод типа ACS880-01...	Мин. ток короткого замыкания ¹⁾	Входной ток	Предохранитель					
			A	A	A ² c	B	Изготовитель	Тип
087A-3	1000	87	100	63600	500	ABB	OFAF000H100	000
105A-3	1300	105	125	103000	500	ABB	OFAF000H125	00
145A-3	1700	145	160	185000	500	ABB	OFAF000H160	00
169A-3	3300	169	250	600000	500	ABB	OFAF00H250	0
206A-3	5500	206	315	710000	500	ABB	OFAF1H315	1
246A-3	6400	246	355	920000	500	ABB	OFAF1H355	1
293A-3	7800	293	425	1300000	500	ABB	OFAF2H425	2
363A-3	9400	363	500	2000000	500	ABB	OFAF2H500	2
430A-3	10200	430	630	2800000	500	ABB	OFAF3H630	3
U_N = 500 В								
02A1-5	17	2,1	4	53	500	ABB	OFAF000H4	000
03A0-5	40	3,0	6	110	500	ABB	OFAF000H6	000
03A4-5	40	3,4	6	110	500	ABB	OFAF000H6	000
04A8-5	80	4,8	10	355	500	ABB	OFAF000H10	000
05A2-5	80	5,2	10	355	500	ABB	OFAF000H10	000
07A6-5	120	7,6	16	700	500	ABB	OFAF000H16	000
11A0-5	120	11,0	16	700	500	ABB	OFAF000H16	000
014A-5	200	14	25	2500	500	ABB	OFAF000H25	000
021A-5	250	21	32	4500	500	ABB	OFAF000H32	000
027A-5	350	27	40	7700	500	ABB	OFAF000H40	000
034A-5	400	34	50	15400	500	ABB	OFAF000H50	000
040A-5	500	40	63	21300	500	ABB	OFAF000H63	000
052A-5	800	52	80	37000	500	ABB	OFAF000H80	000
065A-5	1000	65	100	63600	500	ABB	OFAF000H100	000
077A-5	1000	77	100	63600	500	ABB	OFAF000H100	000
096A-5	1300	96	125	103000	500	ABB	OFAF000H125	00
124A-5	1700	124	160	185000	500	ABB	OFAF000H160	00
156A-5	3300	156	250	600000	500	ABB	OFAF00H250	0
180A-5	5500	180	315	710000	500	ABB	OFAF1H315	1
240A-5	6400	240	355	920000	500	ABB	OFAF1H355	1
260A-5	7000	260	400	1100000	500	ABB	OFAF2H400	2
361A-5	10200	361	630	2800000	500	ABB	OFAF3H630	3
414A-5	10200	414	630	2800000	500	ABB	OFAF3H630	3
U_N = 690 В								
07A3-7	115	7,3	16	1200	690	ABB	OFAA000GG16	000
09A8-7	145	9,8	20	2400	690	ABB	OFAA000GG20	000

Предохранители gG (по одному на фазу)								
Привод типа ACS880-01...	Мин. ток короткого замыкания ¹⁾	Входной ток	Предохранитель					
			A	A	A	A ² c	B	Изготовитель
14A2-7	190	14,2	25	4000	690	ABB	OFAA000GG25	000
018A-7	280	18	35	12000	690	ABB	OFAA000GG35	000
022A-7	450	22	50	24000	690	ABB	OFAA000GG50	000
026A-7	450	26	50	24000	690	ABB	OFAA000GG50	000
035A-7	520	35	63	30000	690	ABB	OFAA000GG63	000
042A-7	800	42	80	51000	690	ABB	OFAA0GG80	0
049A-7	800	49	80	51000	690	ABB	OFAA0GG80	0
061A-7	1050	61	100	95000	690	ABB	OFAA0GG100	0
084A-7	1700	84	160	240000	690	ABB	OFAA1GG160	1
098A-7	1700	98	160	240000	690	ABB	OFAA1GG160	1
119A-7	2200	119	200	350000	690	ABB	OFAA1GG200	1
142A-7	3200	142	250	700000	690	ABB	OFAA1GG250	1
174A-7	5500	174	315	850000	690	ABB	OFAA2GG315	2
210A-7	7000	210	400	1300000	690	ABB	OFAA3GG400	3
271A-7	7000	271	400	1300000	690	ABB	OFAA3GG400	3

¹⁾ минимальный ток короткого замыкания данной установки

■ Краткое руководство по выбору между предохранителями типа gG и предохранителями типа aR

Сочетания параметров (сечение кабелей, длина кабелей, типоразмер трансформатора и тип предохранителей), представленные в таблице, определяют минимальные требования для правильной работы предохранителя. Используйте данную таблицу для выбора между предохранителями типа gG и предохранителями типа aR или рассчитайте ток короткого замыкания системы методом, приведенным в разделе [Расчет тока короткого замыкания системы](#) на странице 180).

Привод типа ACS880-01...	Тип кабеля		Минимальная полная мощность питающего трансформатора S_N (кВА)					
	Медь	Алюминий	Максимальная длина кабеля с предохранителями gG			Максимальная длина кабеля с предохранителями aR		
	мм ²	мм ²	10 м	50 м	100 м	10 м	100 м	200 м
$U_N = 230$ В								
04A6-2	3×1,5	-	1,1	1,1	-	1,1	1,2	-
06A6-2	3×1,5	-	2,2	2,4	-	1,1	1,2	-
07A5-2	3×1,5	-	3,3	4,3	-	1,1	1,2	-
10A6-2	3×1,5	-	3,3	4,3	-	1,5	1,8	-
16A8-2	3×6	-	5,5	5,8	-	1,8	1,8	-
24A3-2	3×6	-	9,7	11	-	3,3	3,5	-
031A-2	3×10	-	11	12	-	4,4	4,6	-
046A-2	3×16	3×35	14	15	-	7,7	8,2	-
061A-2	3×25	3×35	22	24	-	8,3	8,6	-
075A-2	3×35	3×50	28	29	-	11	11	-
087A-2	3×35	3×70	36	39	-	14	15	-
115A-2	3×50	3×70	48	52	-	19	21	-
145A-2	3×95	3×120	64	70	-	28	30	-
170A-2	3×120	3×150	93	104	-	36	39	-
206A-2	3×150	3×240	158	194	-	40	45	-
274A-2	2×(3×95)	2×(3×120)	198	229	-	57	62	-
$U_N = 400$ В								
02A4-3	3×1,5	-	0,82	0,82	0,82	3,1	3,4	5,0
03A3-3	3×1,5	-	1,9	1,9	2,0	3,1	3,4	5,0
04A0-3	3×1,5	-	1,9	1,9	2,0	3,1	3,4	5,0
05A6-3	3×1,5	-	3,8	4,0	4,4	3,1	3,4	5,0
07A2-3	3×1,5	-	3,8	4,0	4,4	3,1	3,4	5,0
09A4-3	3×1,5	-	5,8	6,2	8,4	3,1	3,4	5,0
12A6-3	3×1,5	-	5,8	6,2	8,4	3,1	3,4	5,0
017A-3	3×6	-	9,6	9,8	10	5,8	5,9	6,2
025A-3	3×6	-	12	12	13	5,8	5,9	6,2
032A-3	3×10	-	17	17	18	8,2	8,3	8,7

Привод типа ACS880-01...	Тип кабеля		Минимальная полная мощность питающего трансформатора S_N (кВА)					
	Медь	Алюминий	Максимальная длина кабеля с предохранителями gG			Максимальная длина кабеля с предохранителями aR		
			10 м	50 м	100 м	10 м	100 м	200 м
038A-3	3×10	-	19	20	21	8,2	8,3	8,7
045A-3	3×16	3×25	24	24	26	13	14	15
061A-3	3×25	3×25	39	39	42	18	19	20
072A-3	3×35	3×35	48	49	52	23	24	25
087A-3	3×35	3×50	48	49	52	34	35	38
105A-3	3×50	3×70	63	65	68	34	35	37
145A-3	3×95	3×95	82	85	88	48	50	53
169A-3	3×120	3×150	160	170	187	62	65	69
206A-3	3×150	3×185	269	298	357	73	78	84
246A-3	2×(3×70)	2×(3×95)	311	335	393	99	103	111
293A-3	2×(3×95)	2×(3×120)	380	411	478	106	111	118
363A-3	2×(3×120)	2×(3×185)	459	502	591	150	159	173
430A-3	2×(3×150)	2×(3×240)	499	547	641	174	186	205
$U_N = 500$ В								
02A1-5	3×1,5	-	1,0	1,0	1,0	3,9	4,1	5,0
03A0-5	3×1,5	-	2,4	2,4	2,4	3,9	4,1	5,0
03A4-5	3×1,5	-	2,4	2,4	2,4	3,9	4,1	5,0
04A8-5	3×1,5	-	4,8	4,9	5,2	3,9	4,1	5,0
05A2-5	3×1,5	-	4,8	4,9	5,2	3,9	4,1	5,0
07A6-5	3×1,5	-	7,2	7,5	8,9	3,9	4,1	5,0
11A0-5	3×1,5	-	7,2	7,5	8,9	3,9	4,1	5,0
014A-5	3×6	-	12	12	12	7,2	7,3	7,6
021A-5	3×6	-	15	15	16	7,2	7,3	7,6
027A-5	3×10	-	21	21	22	10	10	11
034A-5	3×10	-	24	24	25	10	10	11
040A-5	3×16	3×35	30	30	31	17	17	18
052A-5	3×25	3×35	48	49	51	18	18	19
065A-5	3×35	3×50	60	61	63	29	29	30
077A-5	3×35	3×70	60	61	63	42	43	46
096A-5	3×50	3×70	78	80	83	42	43	45
124A-5	3×95	3×120	103	105	108	60	62	65
156A-5	3×120	3×150	200	209	224	77	80	84
180A-5	3×150	3×240	335	362	411	77	80	84
240A-5	2×(3×70)	2×(3×95)	388	410	456	108	112	117
260A-5	2×(3×70)	2×(3×95)	425	452	512	123	128	135
361A-5	2×(3×120)	2×(3×185)	621	669	763	187	196	208
414A-5	2×(3×150)	2×(3×240)	621	666	747	217	229	246

Привод типа ACCS880- 01...	Тип кабеля		Минимальная полная мощность питающего трансформатора S_N (кВА)					
	Медь мм ²	Алюминий мм ²	Максимальная длина кабеля с предохранителями gG			Максимальная длина кабеля с предохранителями aR		
			10 м	50 м	100 м	10 м	100 м	200 м
$U_N = 690$ В								
07A3-7	3×1,5	-	9,5	9,7	10,4	3,3	3,3	3,5
09A8-7	3×1,5	-	12	12	14	4,4	4,5	4,7
14A2-7	3×2,5	-	16	16	17	7,8	8,0	8,6
018A-7	3×4	-	23	24	25	9,9	10	11
022A-7	3×6	-	37	38	41	13	13	14
026A-7	3×10	3×25	37	38	39	13	13	14
035A-7	3×10	3×25	43	44	45	14	14	14
042A-7	3×16	3×25	66	67	70	23	23	24
049A-7	3×16	3×25	66	67	70	23	23	24
061A-7	3×25	3×35	87	89	91	40	40	42
084A-7	3×35	3×50	141	145	152	58	59	61
098A-7	3×50	3×70	141	143	146	58	59	60
119A-7	3×70	3×95	183	187	192	58	59	60
142A-7	3×95	3×120	267	275	286	83	85	87
174A-7	3×120	3×185	452	476	515	106	109	112
210A-7	3×185	2×(3×95)	584	608	654	134	136	139
271A-7	3×240	2×(3×120)	584	605	640	183	187	193

■ Расчет тока короткого замыкания системы

Убедитесь, что ток короткого замыкания системы не меньше значения, приведенного в таблице параметров предохранителей.

Ток короткого замыкания системы рассчитывается следующим образом:

$$I_{k2-ph} = \frac{U}{2 \cdot \sqrt{R_c^2 + (Z_k + X_c)^2}}$$

где

I_{k2-ph} = ток короткого замыкания в симметричной двухфазной короткозамкнутой цепи

U = сетевое межфазное напряжение (В)

R_c = сопротивление кабеля (Ом)

$Z_k = z_k \cdot U_N^2 / S_N$ = импеданс трансформатора (Ом)

z_k = импеданс трансформатора (%)

U_N = номинальное напряжение трансформатора (В)

S_N = полная номинальная мощность трансформатора (кВА)

X_c = реактивное сопротивление кабеля (Ом)

Пример расчета

Привод:

- ACS880-01-145A-3
- напряжение питания = 410 В

Трансформатор:

- номинальная мощность $S_N = 600$ кВА
- номинальное напряжение (напряжение питания привода) $U_N = 430$ В
- импеданс трансформатора $z_k = 7,2$ %.

Кабель питания:

- длина = 170 м
- активное сопротивление/длина = 0,398 Ом/км
- реактивное сопротивление/длина = 0,082 Ом/км.

$$Z_k = z_k \cdot \frac{U_N^2}{S_N} = 0,072 \cdot \frac{(430 \text{ В})^2}{600 \text{ кВА}} = 22,19 \text{ МОм}$$

$$R_c = 170 \text{ м} \cdot 0,398 \frac{\text{Ом}}{\text{км}} = 67,66 \text{ МОм}$$

$$X_c = 170 \text{ м} \cdot 0,082 \frac{\text{Ом}}{\text{км}} = 13,94 \text{ МОм}$$

$$I_{k2-ph} = \frac{410 \text{ В}}{2 \cdot \sqrt{(67,66 \text{ МОм})^2 + (22,19 \text{ МОм} + 13,94 \text{ МОм})^2}} = 2,7 \text{ кА}$$

Вычисленный ток короткого замыкания 2,7 кА выше минимального тока короткого замыкания плавкого предохранителя привода типа gG OFAF00H160 (1700 А). -> При этом можно использовать предохранитель gG на 500 В (ABB Control OFAF00H160).

Предохранители (UL)

Ниже приведены разрешенные предохранители UL класса Т, предназначенные для защиты ветвей по стандарту NEC. Для применения в США рекомендуются быстродействующие предохранители класса Т или предохранители с еще большим быстродействием. **Проверьте по графику время-ток, что время срабатывания предохранителя меньше 0,5 секунды для приводов типоразмеров R1...R6 и меньше 0,1 секунды для приводов типоразмеров R7...R9. Соблюдайте местные нормы и правила.**

Примечание 1. См. также [Защита от перегрева и короткого замыкания](#) на стр. 76.

Примечание 2. Не допускается использовать предохранители на ток больший, чем рекомендуемый. Допускается применение предохранителей с более низким номиналом по току.

Примечание 3. Предохранители других производителей можно использовать, если они имеют соответствующие характеристики и если кривая плавления используемого предохранителя не хуже кривой плавления предохранителя, указанного в таблице.

Тип привода ACS880-01...	Входной ток А	Предохранитель (по одному на фазу)				
		А	В	Изготовитель	Тип	Класс UL
$U_N = 230 \text{ В}$						
04A6-2	4,4	15	600	Bussmann	JJS-15	T
06A6-2	6,3	15	600	Bussmann	JJS-15	T
07A5-2	7,1	15	600	Bussmann	JJS-15	T
10A6-2	10,1	20	600	Bussmann	JJS-20	T
16A8-2	16,0	25	600	Bussmann	JJS-25	T
24A3-2	23,1	40	600	Bussmann	JJS-40	T
031A-2	29,3	50	600	Bussmann	JJS-50	T
046A-2	44	80	600	Bussmann	JJS-80	T
061A-2	58	100	600	Bussmann	JJS-100	T
075A-2	71	125	600	Bussmann	JJS-125	T
087A-2	83	125	600	Bussmann	JJS-125	T
115A-2	109	150	600	Bussmann	JJS-150	T
145A-2	138	200	600	Bussmann	JJS-200	T
170A-2	162	250	600	Bussmann	JJS-250	T
206A-2	196	300	600	Bussmann	JJS-300	T
274A-2	260	400	600	Bussmann	JJS-400	T
$U_N = 460 \text{ В}$						
02A1-5	2,1	3	600	Bussmann	JJS-3	T
03A0-5	3,0	6	600	Bussmann	JJS-6	T
03A4-5	3,4	6	600	Bussmann	JJS-6	T
04A8-5	4,8	10	600	Bussmann	JJS-10	T
05A2-5	5,2	10	600	Bussmann	JJS-10	T
07A6-5	7,6	15	600	Bussmann	JJS-15	T
11A0-5	11	20	600	Bussmann	JJS-20	T
014A-5	14	25	600	Bussmann	JJS-25	T
021A-5	21	35	600	Bussmann	JJS-35	T
027A-5	27	40	600	Bussmann	JJS-40	T
034A-5	34	50	600	Bussmann	JJS-50	T
040A-5	40	60	600	Bussmann	JJS-60	T
052A-5	52	80	600	Bussmann	JJS-80	T
065A-5	65	90	600	Bussmann	JJS-90	T
077A-5	77	110	600	Bussmann	JJS-110	T
096A-5	96	150	600	Bussmann	JJS-150	T
124A-5	124	200	600	Bussmann	JJS-200	T
156A-5	156	225	600	Bussmann	JJS-225	T
180A-5	180	300	600	Bussmann	JJS-300	T
240A-5	240	350	600	Bussmann	JJS-350	T
260A-5	260	400	600	Bussmann	JJS-400	T

Тип привода ACS880-01...	Входной ток А	Предохранитель (по одному на фазу)				
		А	В	Изготовитель	Тип	Класс UL
302A-5	302	400	600	Bussmann	JJS-400	T
361A-5	361	500	600	Bussmann	JJS-500	T
414A-5	414	600	600	Bussmann	JJS-600	T
$U_N = 575$ В						
07A3-7	9,0	15	600	Bussmann	JJS-15	T
09A8-7	11	20	600	Bussmann	JJS-20	T
14A2-7	17	30	600	Bussmann	JJS-30	T
018A-7	22	40	600	Bussmann	JJS-40	T
022A-7	27	50	600	Bussmann	JJS-50	T
026A-7	32	50	600	Bussmann	JJS-50	T
035A-7	41	60	600	Bussmann	JJS-60	T
042A-7	52	80	600	Bussmann	JJS-80	T
049A-7	52	80	600	Bussmann	JJS-80	T
061A-7	62	110	600	Bussmann	JJS-110	T
084A-7	77	150	600	Bussmann	JJS-150	T
098A-7	99	150	600	Bussmann	JJS-150	T
119A-7	125	200	600	Bussmann	JJS-200	T
142A-7	144	250	600	Bussmann	JJS-250	T
174A-7	180	300	600	Bussmann	JJS-300	T
210A-7	242	400	600	Bussmann	JJS-400	T
271A-7	271	400	600	Bussmann	JJS-400	T

Основные размеры, вес и требуемое свободное пространство

Типо-размер	IP21					UL тип 1				
	H1 мм	H2 мм	Вт мм	D мм	Вес кг	H1 дюймы	H2 дюймы	Вт дюймы	D дюймы	Вес фунты
R1	409	370	155	226	6	16,11	14,57	6,10	8,89	13
R2	409	370	155	249	8	16,11	14,57	6,10	9,80	18
R3	475	420	172	261	10	18,71	16,54	6,77	10,28	22
R4	576	490	203	274	18,5	22,70	19,30	7,99	10,80	41
R5	730	596	203	274	23	28,74	23,46	7,99	10,79	51
R6	726	569	251	357	45	28,60	22,40	9,92	14,09	99
R7	880	600	284	365	55	34,70	23,60	11,22	14,37	121
R8	963	681	300	386	70	37,90	26,82	11,81	15,21	154
R9	955	680	380	413	98	37,59	26,77	14,96	16,27	216
Типо-размер	IP55					UL, тип 12				
	H1 мм	H2 мм	Вт мм	D мм	Вес кг	H1 * дюймы	H3 дюймы	W ** дюймы	D дюймы	Вес фунты
R1	450	-	162	292	6	17,72	-	6,38	11,50	20
R2	450	-	161	315	8	17,72	-	6,38	12,40	18
R3	525	-	180	327	10	20,70	-	7,09	12,87	22
R4	576	-	203	344	18,5	22,70	-	7,99	13,54	41
R5	730	-	203	344	23	28,73	-	7,99	13,54	51
R6	726	-	252	421	45	28,60	-	9,92	16,46	99
R7	880	-	284	423	55	34,66	-	11,18	16,65	121
R8	963	-	300	452	72	37,90	-	11,81	17,78	159
R9	955	-	380	477	100	37,59	-	14,96	18,78	220

H1 Высота с коробкой для ввода кабелей.

H2 Высота без коробки для ввода кабелей (дополнительный компонент +P940)

H3 Высота с кожухом

W Ширина с коробкой для ввода кабелей

D Глубина с коробкой для ввода кабелей

* Наличие кожуха увеличивает высоту на 155 мм для типоразмеров R4...R8 и на 230 мм для типоразмера R9.

** Наличие кожуха увеличивает ширину на 23 мм для типоразмеров R4 и R5, на 40 мм для типоразмеров R6 и R7 и на 50 мм для типоразмеров R8 и R9.

Примечание 1. Дополнительная информация о размерах приведена в главе [Габаритные чертежи](#).

Примечание 2. Размеры дополнительных компонентов +P940 и +P944 приведены в документе ACS880-01 +P940/+P944 drives for cabinet installation supplement (код английской версии 3AUA0000145446).

Примечание 3. Размеры дополнительного компонента +С135 приведены в документе *Flange mounting kit installation supplement* (код английской версии ЗАХD50000019100). Значения массы привода без коробки для ввода кабелей приведены в документе *ACS880-01 +P940/+P944 drives for cabinet installation supplement* (код английской версии ЗАУА0000145446). Дополнительная масса комплекта для монтажа на фланцах приведена в таблице ниже.

Типоразмер	Масса комплекта для монтажа на фланцах (дополнительный компонент +С135)	
	кг	фунты
R1		
R2		
R3		
R4		
R5		
R6	4,5	10
R7	5	11
R8	6	13
R9	7	15

■ Требования к свободному пространству

Необходимое свободное пространство сверху привода – 200 мм.

Необходимое свободное пространство снизу привода – 300 мм (измеряется от основания привода без коробки для ввода кабелей).

Потери, данные контура охлаждения и шум

Тип привода ACS880-01-	Типо- размер	Расход воздуха		Тепловыде- ление	Уровень шума
		м ³ /ч	фут ³ /мин	Вт	дБ(А)
$U_N = 230$ В					
04A6-2	R1	44	26	73	46
06A6-2	R1	44	26	94	46
07A5-2	R1	44	26	122	46
10A6-2	R1	44	26	172	46
16A8-2	R2	88	52	232	51
24A3-2	R2	88	52	337	51
031A-2	R3	134	79	457	57
046A-2	R4	134	79	500	62
061A-2	R4	280	165	630	62
075A-2	R5	280	165	680	62
087A-2	R5	280	165	730	62
115A-2	R6	435	256	840	67
145A-2	R6	435	256	940	67
170A-2	R7	450	265	1260	67
206A-2	R7	450	265	1500	67
274A-2	R8	550	324	2100	65
$U_N = 400$ В					
02A4-3	R1	44	26	30	46
03A3-3	R1	44	26	40	46
04A0-3	R1	44	26	52	46
05A6-3	R1	44	26	73	46
07A2-3	R1	44	26	94	46
09A4-3	R1	44	26	122	46
12A6-3	R1	44	26	172	46
017A-3	R2	88	52	232	51
025A-3	R2	88	52	337	51
032A-3	R3	134	79	457	57
038A-3	R3	134	79	562	57
045A-3	R4	134	79	667	62
061A-3	R4	280	165	907	62
072A-3	R5	280	165	1117	62
087A-3	R5	280	165	1120	62
105A-3	R6	435	256	1295	67
145A-3	R6	435	256	1440	67
169A-3	R7	450	265	1940	67
206A-3	R7	450	265	2310	67
246A-3	R8	550	324	3300	65

Тип привода ACS880-01-	Типо- размер	Расход воздуха		Тепловыде- ление	Уровень шума
		м ³ /ч	фут ³ /мин	Вт	дБ(А)
293A-3	R8	550	324	3900	65
363A-3	R9	1150	677	4800	68
430A-3	R9	1150	677	6000	68
U_N = 500 В					
02A1-5	R1	44	26	30	46
03A0-5	R1	44	26	40	46
03A4-5	R1	44	26	52	46
04A8-5	R1	44	26	73	46
05A2-5	R1	44	26	94	46
07A6-5	R1	44	26	122	46
11A0-5	R1	44	26	172	46
014A-5	R2	88	52	232	51
021A-5	R2	88	52	337	51
027A-5	R3	134	79	457	57
034A-5	R3	134	79	562	57
040A-5	R4	134	79	667	62
052A-5	R4	280	165	907	62
065A-5	R5	280	165	1117	62
077A-5	R5	280	165	1120	62
096A-5	R6	435	256	1295	67
124A-5	R6	435	256	1440	67
156A-5	R7	450	265	1940	67
180A-5	R7	450	265	2310	67
240A-5	R8	550	324	3300	65
260A-5	R8	550	324	3900	65
302A-5	R9	1150	677	4200	68
361A-5	R9	1150	677	4800	68
414A-5	R9	1150	677	6000	68
U_N = 690 В					
07A3-7	R5	280	165	217	62
09A8-7	R5	280	165	284	62
14A2-7	R5	280	165	399	62
018A-7	R5	280	165	490	62
022A-7	R5	280	165	578	62
026A-7	R5	280	165	660	62
035A-7	R5	280	165	864	62
042A-7	R5	280	165	998	62
049A-7	R5	280	165	1120	62
061A-7	R6	435	256	1295	67

Тип привода ACS880-01-	Типо- размер	Расход воздуха		Тепловыде- ление	Уровень шума
		м ³ /ч	фут ³ /мин		
084A-7	R6	435	256	1440	67
098A-7	R7	450	265	1940	67
119A-7	R7	450	265	2310	67
142A-7	R8	550	324	3300	65
174A-7	R8	550	324	3900	65
210A-7	R9	1150	677	4200	68
271A-7	R9	1150	677	4800	68

■ Расход охлаждающего воздуха и рассеиваемая мощность в случае фланцевого монтажа (дополнительный компонент +С135)

Тип привода ACS880-01-	Типо- размер	Расход воздуха (дополнительный компонент +С135)		Рассеиваемая мощность (дополнительный компонент +С135)	
		Радиатор	Спереди	Радиатор	Спереди
		м ³ /ч	м ³ /ч	Вт	Вт
U_N = 230 В					
04A6-2	R1	44	9	57	16
06A6-2	R1	44	9	76	18
07A5-2	R1	44	9	101	21
10A6-2	R1	44	9	146	26
16A8-2	R2	88	16	195	37
24A3-2	R2	88	16	290	47
031A-2	R3	134	22	393	64
046A-2	R4	134	32	423	77
061A-2	R4	280	32	540	90
075A-2	R5	280	42	567	113
087A-2	R5	280	42	612	118
115A-2	R6	435	52	711	129
145A-2	R6	435	52	801	139
170A-2	R7	450	75	1089	171
206A-2	R7	450	75	1305	195
274A-2	R8	550	120	1845	255
U_N = 400 В					
02A4-3	R1	44	9	18	12
03A3-3	R1	44	9	27	13
04A0-3	R1	44	9	38	14
05A6-3	R1	44	9	57	16
07A2-3	R1	44	9	76	18
09A4-3	R1	44	9	101	21

Тип привода ACS880-01-	Типо- размер	Расход воздуха (дополнительный компонент +C135)		Рассеиваемая мощность (дополнительный компонент +C135)	
		Радиатор	Спереди	Радиатор	Спереди
		м ³ /ч	м ³ /ч	Вт	Вт
12A6-3	R1	44	9	146	26
017A-3	R2	88	16	195	37
025A-3	R2	88	16	290	47
032A-3	R3	134	22	393	64
038A-3	R3	134	22	488	74
045A-3	R4	134	32	573	94
061A-3	R4	280	32	789	118
072A-3	R5	280	42	960	157
087A-3	R5	280	42	963	157
105A-3	R6	435	52	1121	175
145A-3	R6	435	52	1251	189
169A-3	R7	450	75	1701	239
206A-3	R7	450	75	2034	276
246A-3	R8	550	120	2925	375
293A-3	R8	550	120	3465	435
363A-3	R9	1150	170	4275	525
430A-3	R9	1150	170	5355	645
U_N = 500 В					
02A1-5	R1	44	9	18	12
03A0-5	R1	44	9	27	13
03A4-5	R1	44	9	38	14
04A8-5	R1	44	9	57	16
05A2-5	R1	44	9	76	18
07A6-5	R1	44	9	101	21
11A0-5	R1	44	9	146	26
014A-5	R2	88	16	195	37
021A-5	R2	88	16	290	47
027A-5	R3	134	22	393	64
034A-5	R3	134	22	488	74
040A-5	R4	134	32	573	94
052A-5	R4	280	32	789	118
065A-5	R5	280	42	960	157
077A-5	R5	280	42	963	157
096A-5	R6	435	52	1121	175
124A-5	R6	435	52	1251	189
156A-5	R7	450	75	1701	239
180A-5	R7	450	75	2034	276

Тип привода ACS880-01-	Типо- размер	Расход воздуха (дополнительный компонент +С135)		Рассеиваемая мощность (дополнительный компонент +С135)	
		Радиатор	Спереди	Радиатор	Спереди
		м ³ /ч	м ³ /ч	Вт	Вт
240А-5	R8	550	120	2925	375
260А-5	R8	550	120	3465	435
302А-5	R9	1150	170	3735	465
361А-5	R9	1150	170	4275	525
414А-5	R9	1150	170	5355	645
$U_N = 690$ В					
07А3-7	R5	280	42	150	67
09А8-7	R5	280	42	211	73
14А2-7	R5	280	42	314	85
018А-7	R5	280	42	396	94
022А-7	R5	280	42	475	103
026А-7	R5	280	42	549	111
035А-7	R5	280	42	733	131
042А-7	R5	280	42	854	145
049А-7	R5	280	42	963	157
061А-7	R6	435	52	1121	175
084А-7	R6	435	52	1251	189
098А-7	R7	450	75	1701	239
119А-7	R7	450	75	2034	276
142А-7	R8	550	120	2925	375
174А-7	R8	550	120	3465	435
210А-7	R9	1150	170	3735	465
271А-7	R9	1150	170	4275	525

Данные клемм и вводов силовых кабелей

IEC

Ниже приведены размеры клеммных винтов кабелей питания, входных кабелей, кабелей резисторов и кабелей постоянного тока, допустимые сечения проводов (на фазу) и моменты затяжки (T). l — длина зачистки провода внутри клеммы.

Типо-размер	Вводы кабелей		L1, L2, L3, T1/U, T2/V, T3/W						Клеммы заземления	
	шт.	\varnothing^*	Сечение провода	T (Винт для провода)		l	T (Зажимная гайка)		Макс. сечение провода	T
		мм		мм ²	М...		Н·м	мм		
R1	2	17	0,75...6	-	0,6	8	-	-	25	1,8
R2	2	17	0,75...6	-	0,6	8	-	-	25	1,8
R3	2	21	0,5...16	-	1,7	10	-	-	25	1,8
R4	2	24	0,5...35	-	3,3	18	-	-	25	2,9
R5	2	32	6...70	M8	15	18	-	-	35	2,9
R6	2	45	25...150	M10	30	30	-	-	185	9,8
R7	2	54	95...240 (25...150**)	M10	40 (30**)	30	-	-	185	9,8
R8	4	45	2 × (50...150)	M10	40	30	M10	24	2×185	9,8
R9	4	54	2 × (95...240)	M12	70	30	M10	24	2×185	9,8

Типо-размер	Вводы кабелей		Клеммы R-, R+/UDC+ и UDC-					
	шт.	\varnothing^*	Сечение провода	T (Винт для провода)		l	T (Зажимная гайка)	
		мм		мм ²	М...		Н·м	мм
R1	1	17	0,75...6	-	0,6	8	-	-
R2	1	17	0,75...6	-	0,6	8	-	-
R3	1	21	0,5...16	-	1,7	10	-	-
R4	1	24	0,5...35	-	3,3	18	-	-
R5	1	32	6...70	M8	5,6	18	-	-
R6	1	35	25...95	M8	20	30	-	-
R7	1	43	25...150	M10	30	30	-	-
R8	2	45	2 × (50...150)	M10	40	30	M8	24
R9	2	54	2 × (95...240)	M12	70	30	M8	24

* максимально допустимый диаметр кабеля Относительно диаметра отверстий проходной пластины см. главу [Габаритные чертежи](#).

** для приводов 525...690 В

Примечание. Если сечение используемого кабеля меньше, чем то, которое подходит для подключения к клемме, снимите клемму и используйте кабельный наконечник для установки кабеля под головку болта.

■ США

Ниже приведены размеры клеммных винтов кабелей питания, входных кабелей, кабелей резисторов и кабелей постоянного тока, допустимые сечения проводов (на фазу) и моменты затяжки (T) в единицах измерения, принятых в США. l — длина зачистки провода внутри клеммы.

Типоразмер	Вводы кабелей		L1, L2, L3, T1/U, T2/V, T3/W						Клеммы заземления	
		\varnothing^*	Сечение провода	T (Винт для провода)		l	T (Зажимная гайка)		Макс. сечение провода	
	шт.	дюймы		М...	фунт-сила·фут		дюймы	М...		
R1	2	0,67	18...10	-	0,4	0,31	-	-	4	1,3
R2	2	0,67	18...10	-	0,4	0,31	-	-	4	1,3
R3	2	0,83	20...6	-	1,3	0,39	-	-	4	1,3
R4	2	0,94	20...2	-	2,4	0,70	-	-	4	2,1
R5	2	1,26	10...2/0	M8	11	0,70	-	-	2	2,1
R6	2	1,77	4...300 MCM	M10	22,1	1,18	-	-	350 MCM	7,2
R7	2	2,13	3/0...400 MCM (4...300 MCM)	M10	29,5 (22,1**)	1,18	-	-	350 MCM	7,2
R8	4	1,77	2 × (1/0...300 MCM)	M10	29,5	1,18	M10	17,7	2 × 350 MCM	7,2
R9	4	2,13	2 × (3/0...400 MCM)	M12	51,6	1,18	M10	17,7	2 × 350 MCM	7,2

Типоразмер	Вводы кабелей		Клеммы R-, R+/UDC+ и UDC-					
		\varnothing^*	Сечение провода	T (Винт для провода)		l	T (Зажимная гайка)	
	шт.	дюймы		М...	фунт-сила·фут		мм	М...
R1	1	0,67	18...10	-	0,4	0,31	-	-
R2	1	0,67	18...10	-	0,4	0,31	-	-
R3	1	0,83	20...6	-	1,3	0,39	-	-
R4	1	0,94	20...2	-	2,4	0,70	-	-
R5	1	1,26	10...2/0	M8	11	1,18	-	-
R6	1	1,38	4...3/0	M8	14,8	1,18	-	-
R7	1	1,69	4...300 MCM	M10	22,1	1,18	-	-
R8	2	1,77	2 × (1/0...300 MCM)	M10	29,5	1,18	M8	17,7
R9	2	2,13	2 × (3/0...400 MCM)	M12	51,6	1,18	M8	17,7

* максимально допустимый диаметр кабеля Внутренний диаметр кабельного соединителя: 3/4" (типоразмеры R1 и R2), 1" (R3). Относительно диаметра отверстий проходной пластины см. главу [Габаритные чертежи](#).

** для приводов 525...690 В

Кабельные наконечники и инструменты, аттестованные UL.

Сечение провода kcmil/AWG	Обжимной наконечник		Обжимной инструмент		
	Изготовитель	Тип	Изготовитель	Тип	Кол-во обжимов
6	Thomas & Betts	E10731 54136	Thomas & Betts	TBM4S TBM45S	1
	Burndy	YAV6C-L2	Burndy	MY29-3	1
	IlSCO	CCL-6-38	IlSCO	ILC-10	2
4	Thomas & Betts	54140	Thomas & Betts	TBM4S	1
	Burndy	YA4C-L4BOX	Burndy	MY29-3	1
	IlSCO	CCL-4-38	IlSCO	MT-25	1
2	Thomas & Betts	54143TB 54142TB	Thomas & Betts	TBM4S TBM4S	1
	Burndy	YA2C-L4BOX	Burndy	MY29-3	2
	IlSCO	CRC-2	IlSCO	IDT-12	1
	IlSCO	CCL-2-38	IlSCO	MT-25	1
1	Thomas & Betts	54148	Thomas & Betts	TBM-8	3
	Burndy	YA1C-L4BOX	Burndy	MY29-3	2
	IlSCO	CRA-1-38	IlSCO	IDT-12	1
	IlSCO	CCL-1-38	IlSCO	MT-25	1
1/0	Thomas & Betts	54109	Thomas & Betts	TBM-8	3
	Burndy	YA25-L4BOX	Burndy	MY29-3	2
	IlSCO	CRB-0	IlSCO	IDT-12	1
	IlSCO	CCL-1/0-38	IlSCO	MT-25	1
2/0	Thomas & Betts	54110	Thomas & Betts	TBM-8	3
	Burndy	YAL26T38	Burndy	MY29-3	2
	IlSCO	CRA-2/0	IlSCO	IDT-12	1
	IlSCO	CCL-2/0-38	IlSCO	MT-25	1

Характеристики клемм для кабелей управления

См. [Данные подключения блока управления \(ZCU-12\)](#) ниже.

Требования к электросети

Напряжение (U_1)	<p><u>Приводы ACS880-01-xxxx-2</u>: 208 ... 240 В~, 3 фазы, +10 %...–15 %. Эти данные указываются на табличке с обозначением типа как типовой уровень входного напряжения 3 230 В~.</p> <p><u>Приводы ACS880-01-xxxx-3</u>: 380 ... 415 В~, 3 фазы, +10 %...–15 %. Эти данные указываются на табличке с обозначением типа как типовой уровень входного напряжения 3 400 В~.</p> <p><u>Приводы ACS880-01-xxxx-5</u>: 380 ... 500 В~, 3 фазы, +10 %...–15 %. Эти данные указываются на табличке с обозначением типа как типовые уровни входного напряжения 3 400/480/500 В~.</p> <p>Приводы <u>ACS880-01-xxxx-7</u>: 525 ... 690 В~, 3 фазы, +10 %...–15 %. Эти данные указываются на табличке с обозначением типа как типовые уровни входного напряжения 3 525/600/690 В~.</p>
Тип сети питания	Системы TN (заземленная) и IT (незаземленная).
Стойкость по току короткого замыкания (IEC 61439-1)	65 кА при защите с помощью предохранителей, указанных в таблицах предохранителей
Защита от тока короткого замыкания (UL 508С, CSA C22.2 № 14-05)	Для США и Канады: привод пригоден для использования в сетях, способных отдавать симметричный ток не более 100 кА (эфф. значение) при максимальном напряжении привода 600 В и защищенных с помощью предохранителей, указанных в таблице предохранителей
Частота	От 47 до 63 Гц, максимальная скорость изменения 17 %/с
Асимметрия	Не более ± 3 % от номинального межфазного входного напряжения
Коэффициент мощности для основной гармоники ($\cos \phi_1$)	0,98 (при номинальной нагрузке)

Параметры подключения двигателя

Типы двигателей	Асинхронные двигатели переменного тока, синхронные двигатели с постоянными магнитами, индукционные серводвигатели переменного тока и индукторные синхронные двигатели АВВ (двигатели SynRM) с дополнительным компонентом +N7502.
Напряжение (U_2)	От 0 до U_1 , трехфазное симметричное, U_{\max} в точке ослабления поля
Частота	<p>0...500 Гц</p> <p><u>Для приводов с фильтром du/dt</u>: 120 Гц</p> <p><u>Для приводов с синус-фильтром</u>: 120 Гц</p>
Ток	См. раздел Номинальные характеристики .

Частота коммутации	2,7 кГц (типовая).
Рекомендуемая максимальная длина кабеля двигателя	Для приводов типа ACS880-01-xxxx-2, ACS880-01-xxxx-3 и ACS880-01-xxxx-5 типоразмеров R1...R3, приводов типа ACS880-01-07A3-7, ACS880-01-09A8-7, ACS880-01-14A2-7 и приводов типа ACS880-01-018A-7: 150 м Для приводов типа ACS880-01-xxxx-2, ACS880-01-xxxx-3 и ACS880-01-xxxx-5 типоразмеров R4...R9 и приводов типа ACS880-01-022A-7...ACS880-01-271A-7: 300 м
	Примечание. При использовании кабелей двигателей длиной более 150 м или при частотах коммутации, превышающих значения, используемые по умолчанию, требования директивы по ЭМС могут не выполняться.

Данные подключения блока управления (ZCU-12)

Источник питания (XPOW)	24 В = ($\pm 10\%$), 2 А Питание осуществляет от силового блока привода или от внешнего источника питания через соединитель XPOW (шаг 5 мм, сечение провода 2,5 мм ²).
Релейные выходы RO1...RO3 (XRO1 ... XRO3)	Шаг соединителя 5 мм, сечение провода 2,5 мм ² 250 В~ / 30 В=, 2 А Защищены варисторами
Выход +24 В (XD24:2 и XD24:4)	Шаг соединителя 5 мм, сечение провода 2,5 мм ² Общая нагрузочная способность этих выходов составляет 4,8 Вт (200 мА / 24 В) минус мощность, потребляемая цифровыми входами/выходами DIO1 и DIO2.
Цифровые входы DI1...DI6 (XDI:1 ... XDI:6)	Шаг соединителя 5 мм, сечение провода 2,5 мм ² Уровни логических сигналов при напряжении 24 В: "0" < 5 В, "1" > 15 В R_{in} : 2,0 кОм Тип входа: NPN/PNP (DI1...DI5), NPN (DI6) Аппаратная фильтрация: 0,04 мс, цифровая фильтрация до 8 мс Цифровой вход DI6 (XDI:6) может также использоваться для подключения датчиков РТС. "0" > 4 кОм, "1" < 1,5 кОм I_{max} : 15 мА (для DI6 — 5 мА)
Вход блокировки пуска DIIL (XD24:1)	Шаг соединителя 5 мм, сечение провода 2,5 мм ² Уровни логических сигналов при напряжении 24 В: "0" < 5 В, "1" > 15 В R_{in} : 2,0 кОм Тип входа: NPN/PNP Аппаратная фильтрация: 0,04 мс, цифровая фильтрация до 8 мс

Цифровые входы/выходы DIO1 и DIO2 (XDIO:1 и XDIO:2)

Выбор режима входов/выходов с помощью параметров.

DIO1 может конфигурироваться как частотный вход (0...16 кГц с аппаратной фильтрацией 4 мкс) для прямоугольного сигнала с амплитудой 24 В (сигнал синусоидальной или иной формы не допускается). Цифровой вход/выход DIO2 может быть сконфигурирован как частотный выход сигнала прямоугольной формы с амплитудой 24 В. См. руководство по микропрограммному обеспечению, группа параметров 11.

Шаг соединителя 5 мм, сечение провода 2,5 мм²

В качестве входов:

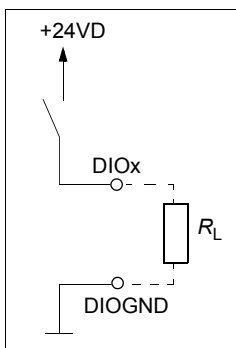
Уровни логических сигналов при напряжении 24 В:
"0" < 5 В, "1" > 15 В

R_{in} : 2,0 кОм

Фильтрация: 0,25 мс

В качестве выходов:

Суммарный выходной ток +24VD ограничен 200 мА.

**Опорное напряжение для аналоговых входов +VREF и -VREF**

(XA1:1 и XA1:2)

Аналоговые входы AI1 и AI2 (XA1:4 ... XA1:7).

Выбор режима входа (ток или напряжение) с помощью переключек. См. стр. 110.

Шаг соединителя 5 мм, сечение провода 2,5 мм²
10 В ±1 % и -10 В ±1 %, R_{load} 1...10 кОм

Шаг соединителя 5 мм, сечение провода 2,5 мм²

Ток вход: -20...20 мА, R_{in} : 100 Ом

Вход напряжения: -10 ... +10 В, R_{in} : > 200 кОм

Дифференциальные входы, синфазное напряжение ±30 В

Интервал опроса на 1 канал: 0,25 мс

Аппаратная фильтрация: 0,25 мс, регулируемая

цифровая фильтрация до 8 мс

Разрешение: 11 бит + бит знака

Погрешность: 1 % от полной шкалы

Погрешность измерений для датчиков Pt100: 10 °C

Аналоговые выходы AO1 и AO2

(XA0)

Шаг соединителя 5 мм, сечение провода 2,5 мм²

0...20 мА, R_{load} < 500 Ом

Диапазон частот: 0...300 Гц

Разрешение: 11 бит + бит знака

Погрешность: 2 % от полной шкалы

Линия связи привод-привод (XD2D)

Шаг соединителя 5 мм, сечение провода 2,5 мм²

Физический уровень: RS-485

Подключение оконечной нагрузки с помощью переключателя

**Подключение сигнала
безопасного отключения
крутящего момента (XSTO)**

Шаг соединителя 5 мм, сечение провода 2,5 мм²
Диапазон напряжения питания: -3...30 В=
Логические уровни: «0» < 5 В, «1» > 17 В
Потребляемый ток для типоразмеров R1...R7: 12 мА
(+24 В=, непрерывный) на канал STO
Потребляемый ток для типоразмеров R8 и R9: 30 мА
(+24 В=, непрерывный) на канал STO
Для пуска привода необходимо замкнуть обе цепи
(OUT1 с IN1 и IN2).

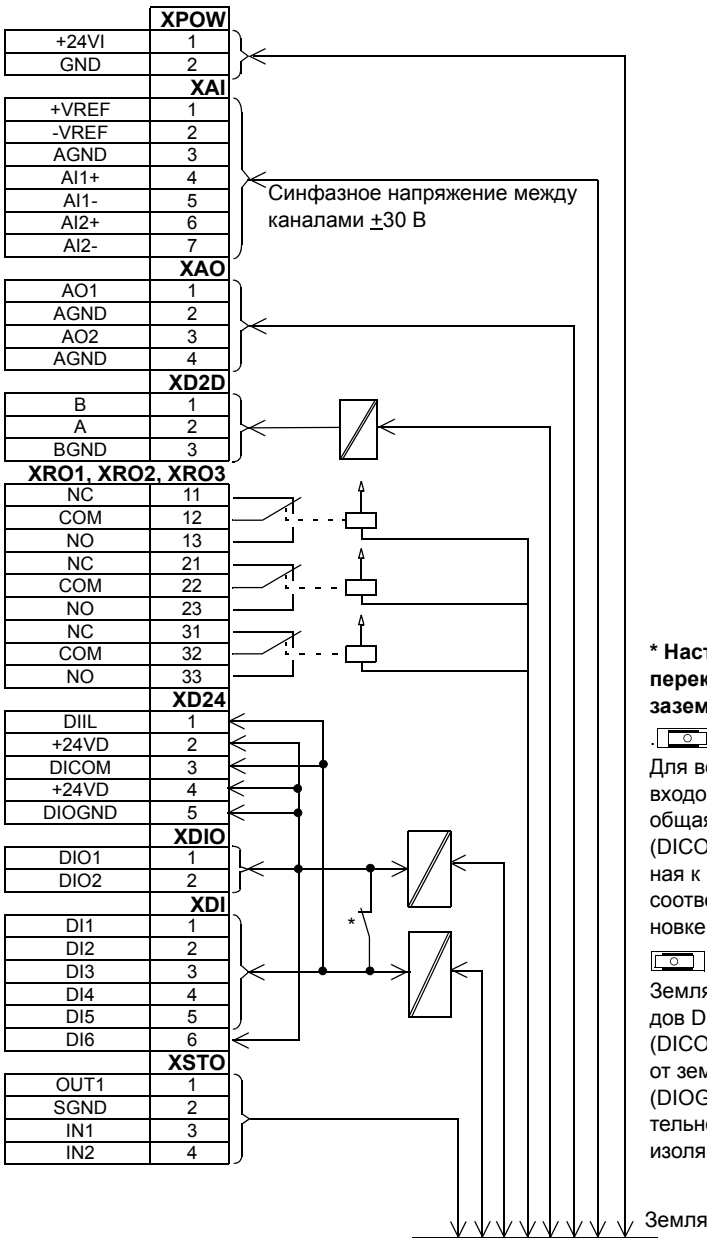
ЭМС (помехоустойчивость) согласно стандарту
IEC 61326-3-1

**Разъем подключения панели
управления / ПК**

Разъем: RJ-45
Длина кабеля < 3 м

Клеммы платы удовлетворяют требованиям по защитному сверхнизкому напряжению (PELV). Если на релейный выход подается напряжение более 48 В, требования PELV для этого релейного входа не будут выполнены.

Схема гальванической развязки



*** Настройки переключателя заземления J6:**



Для всех цифровых входов используется общая линия земли (DICOM, подсоединенная к DIOGND). Это соответствует установке по умолчанию.



Земля цифровых входов DI1...DI5 и DIIL (DICOM) изолирована от земли сигналов DIO (DIOGND). Испытательное напряжение изоляции 50 В.

КПД

Около 98 % при номинальной мощности

Классы защиты

Степень защиты (IEC/EN 60529)	IP21, IP55. Дополнительные компоненты +P940 и +P944: IP20
Типы корпусов (UL508C)	UL тип 1, UL тип 12. Дополнительный компонент +P940: открытого типа согласно UL. Только для использования в помещениях.
Категория перенапряжения (IEC 60664-1)	III
Класс защиты (IEC/EN 61800-5-1)	1)

Условия окружающей среды

В следующей таблице приведены предельно допустимые условия эксплуатации привода. Привод следует использовать в отапливаемом закрытом помещении с контролируруемыми условиями окружающей среды.

	Эксплуатация в стационарных условиях	Хранение в защитной упаковке	Транспортировка в защитной упаковке
Высота над уровнем моря	<ul style="list-style-type: none"> • 0...4000 м над уровнем моря ¹⁾ • 0...2000 м над уровнем моря ²⁾ При высоте над уровнем моря более 1000 м см. стр. 159 .	-	-
Температура воздуха	-15...+55 °С. ³⁾ Образование инея не допускается. См. раздел Номинальные характеристики .	-40 ... +70 °С	-40 ... +70 °С
Относительная влажность	5...95 % Образование конденсата не допускается. При наличии агрессивных газов относительная влажность не более 60 %.	Не более 95 %	Не более 95 %

Уровни загрязнения (IEC 60721-3-3, IEC 60721-3-2, IEC 60721-3-1)	Наличие электропроводящей пыли не допускается.		
	<u>Химические газы:</u> класс 3С2. Для печатных плат в приводах со степенью защиты IP55 класс 3С3 и ANSI/ISA S71.04-1985 GX <u>Твердые частицы:</u> класс 3S2	<u>Химические газы:</u> класс 1С2 <u>Твердые частицы:</u> класс 1S3	<u>Химические газы:</u> класс 2С2 <u>Твердые частицы:</u> класс 2S2
Атмосферное давление	70...106 кПа 0,7...1,05 ат	70...106 кПа 0,7...1,05 ат	60...106 кПа 0,6...1,05 ат
Вибрация (IEC 60068-2)	Не более 1 мм (5...13,2 Гц), не более 7 м/с ² (13,2...100 Гц), синусоидальные колебания	Не более 1 мм (5...13,2 Гц), не более 7 м/с ² (13,2...100 Гц), синусоидальные колебания	Не более 3,5 мм (2...9 Гц), не более 15 м/с ² (9...200 Гц), синусоидальные колебания
Удары (IEC 60068-2-27)	Не допускается	Не более 100 м/с ² , 11 мс	Не более 100 м/с ² , 11 мс
Свободное падение	Не допускается	100 мм при весе более 100 кг	100 мм при весе более 100 кг

1. Для систем TN и TT с заземлением нейтрали и систем IT без углового заземления
2. Для систем TN, TT и IT с угловым заземлением
3. Для привода с классом защиты IP55 (UL тип 12) типа -210A-7: -15... +45 °С. Для приводов IP55 (UL тип 12) типов -0430A-3, -0414A-5 и -0271A-7: -15... +35 °С.

Материалы

Корпус привода

- PC/ABS 3 мм, цвет NCS 1502-Y (RAL 9002 / PMS 1C Cool Grey) и RAL 9017
- PC+10 %GF 3,0 мм, цвет RAL 9017 (только типоразмеры R1...R3)
- Стальной лист толщиной 1,5...2,5 мм, оцинкованный горячим методом, толщина покрытия 100 мкм, цвет NCS 1502-Y

Упаковка

Фанера и картон. Пенопластовые прокладки из вспененного полипропилена, полипропиленовые ленты.

Типоразмер	Упаковка		
	Длина (мм)	Ширина (мм)	Высота (мм)
R1	574	256	281
R1 (IP55)	574	256	364
R2	574	256	304
R2 (IP55)	574	256	386
R3	624	256	316
R3 (+P940)	624	256	316
R3 IP55	624	256	399
R4 IP21	691	290	329
R4 (+P940)	691	290	329
R4 (IP55)	691	290	415
R5 IP21	896	293	329
R5 (+P940)	896	293	329
R6	870	325	580
R7	992	400	568
R8	1145	485	630
R9	1145	485	630

Утилизация

Для сохранения природных и энергетических ресурсов основные детали привода могут быть переработаны. Детали и материалы изделия необходимо демонтировать и рассортировать.

Обычно все металлы, такие как сталь, алюминий, медь и сплавы на ее основе, драгоценные металлы, могут быть переработаны как материалы. Пластик, резина, картон и другие упаковочные материалы могут быть использованы для выработки энергии. Печатные платы и конденсаторы постоянного тока (C1-1...C1-x) требуют селективного обращения в соответствии с рекомендациями IEC 62635. Для упрощения вторичной переработки пластиковые детали имеют маркировку с соответствующим идентификационным кодом.

За дополнительными сведениями по охране окружающей среды и инструкциями по профессиональной вторичной переработке обращайтесь к местному дистрибьютору компании АВВ. Утилизация по завершении срока службы должна производиться в соответствии с международным и местным законодательством.

Применимые стандарты

Привод удовлетворяет требованиям приведенных ниже стандартов. Выполнение требований Европейской директивы по низковольтному оборудованию подтверждено в соответствии со стандартом EN 61800-5-1.

EN 60204-1:2006 + A1 2009	<i>Безопасность машин и оборудования. Электрические устройства машин и оборудования. Часть 1. Общие требования Условия для согласования: конечный сборщик оборудования отвечает за установку — устройства аварийного останова, — устройства отключения питания.</i>
IEC/EN 60529:1991 + A1 2000 IEC 60664-1:2007	<i>Классы защиты, обеспечиваемые корпусами (код IP) Согласование изоляции для оборудования в низко-вольтных системах. Часть 1. Принципы, требования и испытания.</i>
EN 61800-3:2004	<i>Электрические силовые приводы с регулируемой скоростью. Часть 3. Требования по ЭМС и специальные методы испытаний</i>
EN 61800-5-1:2007	<i>Электрические силовые приводы с регулируемой скоростью. Часть 5-1: Требования по технике безопасности – электрические, температурные и энергетические</i>
EN 61800-5-2:2007	<i>Электрические силовые приводы с регулируемой скоростью. Часть 5-2: Требования по безопасности — функциональные</i>
UL 508C:2002	<i>Стандарт UL по безопасности оборудования для силовых преобразователей, третья редакция</i>
NEMA 250:2008	<i>Корпуса для электрооборудования (до 1000 В)</i>
CSA C22.2 № 14-10	<i>Промышленные устройства управления</i>
ГОСТ Р 51321-1:2007	<i>Устройства комплектные низковольтные распределе-ния и управления. Часть 1 — Устройства, испытанные полностью или частично — Общие технические тре-бования и методы испытаний</i>

Маркировка CE

Знак CE наносится на привод для подтверждения полного соответствия привода положениям директив ЕС по низковольтному оборудованию, ЭМС и Европейским правилам ограничения содержания вредных веществ. Маркировка CE также подтверждает, что в отношении функций защиты (таких как функции безопасного отключения крутящего момента) привод соответствует Директиве по машинам и механизмам как безопасный компонент.

■ Соответствие Европейской директиве по низковольтному оборудованию

Выполнение требований Европейской директивы по низковольтному оборудованию подтверждено в соответствии со стандартами EN 60204-1 и EN 61800-5-1.

■ Соответствие Европейской директиве по ЭМС

Директива по ЭМС определяет требования по помехоустойчивости и излучению помех к электрооборудованию, используемому в Европейском союзе. Стандарт по ЭМС на изделия (EN 61800-3:2004) охватывает требования, установленные для приводов. См. раздел [Соответствие стандарту EN 61800-3:2004](#) ниже.

■ Соответствие Европейским правилам ограничения содержания вредных веществ

Директива по RoHS определяет ограничение использования определенных опасных веществ в электрическом и электронном оборудовании.

■ Соответствие Европейским указаниям по охране труда в машиностроении

Привод является электронным изделием, на которое распространяется Директива ЕС по низковольтному оборудованию. Однако в приводе предусмотрена функция безопасного отключения крутящего момента, и он может быть оборудован другими функциями защиты машинного оборудования, которые, как средства защиты, могут подпадать под действие Директивы по машинам и механизмам. Эти функции привода соответствуют согласованным европейским стандартам, таким как EN 61800-5-2. Ниже приведена декларация соответствия.

Декларация соответствия



Declaration of Conformity

(According to Machinery Directive 2006/42/EC)

Manufacturer: ABB Oy, Drives
Address: Hiomotie 13, P.O Box 184, FIN-00381 Helsinki, Finland.

hereby declares that product

ACS880-01

with regard to the following safety functions

Safe torque off

Safe stop 1 (with option code +Q973)

Safe stop emergency (with option code +Q973)

Safely-limited speed (with option code +Q973)

Safe maximum speed (with option code +Q973)

Safe brake control (with option code +Q973)

fulfill all the relevant safety component requirements of EC Machinery Directive 2006/42/EC, when the listed safety functions are used for safety component functionality.

The following harmonized standards below were used:

EN 61800-5-2: 2007	<i>Adjustable speed electrical power drive systems – Part 5-2: Safety requirements - Functional</i>
EN 62061: 2005/ AC: 2010	<i>Safety of machinery – Functional safety of safety-related electrical, electronic and programmable electronic control systems</i>
EN ISO 13849-1: 2008/ AC: 2009	<i>Safety of machinery – Safety-related parts of control systems. Part 1: General requirements</i>
EN ISO 13849-2: 2012	<i>Safety of machinery – Safety-related parts of the control systems. Part 2: Validation</i>
EN 60204-1: 2006/ AC: 2010	<i>Safety of machinery – Electrical equipment of machines – Part 1: General requirements</i>

Other used standards:

IEC 61508 ed. 2: 2010	<i>Functional safety of electrical / electronic / programmable electronic safety-related systems</i>
-----------------------	--

The products referred in this Declaration of Conformity fulfill the relevant provisions of the Low Voltage Directive 2006/95/EC and EMC Directive 2004/108/EC. Declaration of conformity according to these directives is available from the manufacturer.



Declaration of Conformity

(According to Machinery Directive 2006/42/EC)

Person authorized to compile the technical file:

Name: Risto Mynttinen
Address: P.O. Box 184, FIN-00381 Helsinki, Finland

Helsinki, 27 Nov 2013

A handwritten signature in blue ink, appearing to read "Mika Kulju", is written over the printed name.

Mika Kulju
Vice President
ABB Oy

Соответствие стандарту EN 61800-3:2004

■ Определения

ЭМС — сокращение термина электромагнитная совместимость. Это способность электрического и электронного оборудования нормально работать в присутствии электромагнитных полей. Кроме того, оборудование не должно создавать помех в работе любого другого близко расположенного изделия или системы.

Первые условия эксплуатации — объекты, подключенные к низковольтной сети, используемой для электроснабжения жилых зданий.

Вторые условия эксплуатации — объекты, подключенные к сети, не используемой для электроснабжения жилых зданий.

Привод категории C2: привод с номинальным напряжением ниже 1000 В, который должен устанавливаться и запускаться только квалифицированными специалистами при использовании в первых условиях эксплуатации. **Примечание.** Квалифицированный специалист — это физическое или юридическое лицо, имеющее необходимую квалификацию для установки и (или) ввода в эксплуатацию систем с силовым приводом, в том числе с учетом требований по электромагнитной совместимости.

Привод категории C3: привод с номинальным напряжением ниже 1000 В, предназначенный для использования во вторых условиях эксплуатации и не предназначенный для использования в первых условиях эксплуатации.

Привод категории C4: привод с номинальным напряжением не менее 1000 В, или с номинальным током не менее 400 А, или предназначенный для использования в комплексных системах во вторых условиях эксплуатации.

■ Категория C2

Привод соответствует стандарту при выполнении следующих условий.

1. Привод снабжен ЭМС-фильтром +E202.
2. Выбор кабелей двигателя и управления осуществляется в соответствии с требованиями, изложенными в руководстве по монтажу и вводу в эксплуатацию.
3. Привод устанавливается в соответствии с указаниями, приведенными в руководстве по монтажу и вводу в эксплуатацию.
4. Длина кабеля двигателя не должна превышать 150 м.

ПРЕДУПРЕЖДЕНИЕ! При подключении к коммунальной сети электропитания привод может создавать радиочастотные помехи. В этом случае, наряду с выполнением перечисленных выше требований СЕ, пользователь, если требуется, обязан принять необходимые меры для снижения создаваемых помех.

Примечание. Не устанавливайте привод, снабженный ЭМС-фильтром +E202, в IT-системах (незаземленных). В случае нарушения этого требования электро-сеть оказывается подключенной к линии заземления через конденсаторы ЭМС-фильтра, что создает угрозу безопасности и может привести к выходу привода из строя.

■ Категория С3

Привод соответствует стандарту при выполнении следующих условий.

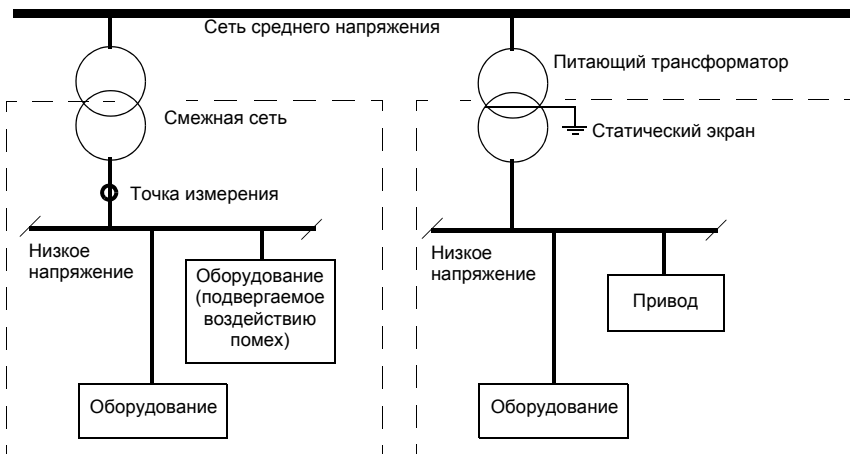
1. Привод снабжается ЭМС-фильтром +E200 или +E201.
2. Выбор кабелей двигателя и управления осуществляется в соответствии с требованиями, изложенными в руководстве по монтажу и вводу в эксплуатацию.
3. Привод устанавливается в соответствии с указаниями, приведенными в руководстве по монтажу и вводу в эксплуатацию.
4. Длина кабеля двигателя не должна превышать 150 м.

ПРЕДУПРЕЖДЕНИЕ! Привод категории С3 не предназначен для применения в низковольтных коммунальных сетях, обеспечивающих электроснабжение жилых помещений. В случае применения электропривода в таких сетях возможны радиочастотные помехи.

■ Категория С4

Если условия, указанные в разделе *Категория С3*, обеспечить невозможно, требования стандарта можно выполнить следующим образом.

1. Обеспечивается невозможность проникновения в смежные низковольтные электросети чрезмерных электромагнитных помех. В некоторых случаях оказывается достаточным собственное подавление помех в трансформаторах и кабелях. В сомнительных случаях можно использовать питающий трансформатор со статическим экраном между первичной и вторичной обмотками.



2. Необходимо составить план по обеспечению ЭМС для предотвращения помех, в соответствии с которым должен производиться монтаж. Форму можно получить в местном представительстве ABB.
3. Выбор кабелей двигателя и управления осуществляется в соответствии с требованиями, изложенными в руководстве по монтажу и вводу в эксплуатацию.
4. Привод устанавливается в соответствии с указаниями, приведенными в руководстве по монтажу и вводу в эксплуатацию.

ПРЕДУПРЕЖДЕНИЕ! Привод категории С4 не предназначен для применения в низковольтных коммунальных сетях, обеспечивающих электроснабжение жилых помещений. В случае применения электропривода в таких сетях возможны радиочастотные помехи.

Маркировка UL

Привод прошел сертификацию cULus.

■ Контрольный перечень UL

- Привод следует использовать в отапливаемом закрытом помещении с контролируемыми условиями окружающей среды. Привод должен быть установлен в помещении с чистым сухим воздухом в соответствии с классификацией защиты. Охлаждающий воздух должен быть чистым и не должен содержать агрессивные вещества и электропроводящую пыль См. стр. 199.
- Максимальная температура окружающего воздуха 40 °С при номинальном токе. При температуре от 40...55 °С ток должен быть снижен.

- Привод предназначен для использования в сетях с максимальным среднеквадратичным значением симметричного тока не более 100 000 А при напряжении не более 600 В. Номинальный ток основан на результатах испытаний, проведенных в соответствии с UL 508С.
- Кабели для подключения двигателя должны выдерживать температуру не менее 75 °С в установках, соответствующих стандарту UL.
- Входной кабель должен быть защищен плавкими предохранителями. Для США: запрещается использовать автоматические выключатели без плавких предохранителей. Подходящие предохранители по IEC (класс aR) и UL (класс Т) указаны на стр. [170](#) и [181 соответственно](#). [Информацию о соответствующих требованиях к автоматическим выключателям можно получить в местном представительстве ABB.](#)
- Для монтажа в США должна быть обеспечена защита цепей в соответствии с Национальным сводом законов и технических стандартов США по электротехнике (NEC) и всеми действующими местными нормами и правилами. Для выполнения этих требований используйте плавкие предохранители с сертификацией UL.
- Для монтажа в Канаде должна быть обеспечена защита цепей в соответствии с электротехническими нормами и правилами, действующими в Канаде и ее провинциях. Для выполнения этих требований используйте плавкие предохранители с сертификацией UL.
- Привод обеспечивает защиту от перегрузки в соответствии с Национальным сводом законов и технических стандартов США по электротехнике (NEC).

■ Маркировка CSA

Привод имеет маркировку CSA.

☑ Маркировка «C-tick»

Привод имеет маркировку C-tick.

Маркировка «C-tick» требуется в Австралии и Новой Зеландии. Этикетка «C-tick» прикрепляется к приводам на 380...500 В для подтверждения его соответствия стандарту (IEC 61800-3:2004), предписанному программой обеспечения электромагнитной совместимости Trans-Tasman.

Для выполнения требования стандарта обратитесь к разделу [Соответствие стандарту EN 61800-3:2004](#) на стр. [206](#).

Маркировка EAC

Привод имеет сертификацию EAC. Маркировка EAC требуется в России, Белоруссии и Казахстане.

Соответствие стандартам

Привод одобрен для морского применения. Дополнительная информация приведена в документе *ACS880-01/04 +C132 marine type-approved drives supplement* (код английской версии 3AXD50000010521).

Заявление об отказе от ответственности в области информационной безопасности

Данное изделие должно быть подключено к и обмениваться информацией и данными посредством сетевого интерфейса. Заказчик несет полную ответственность за обеспечение и постоянное поддержание безопасности подключения между изделием и сетью заказчика или любой другой сетью (в зависимости от обстоятельств). Заказчик должен реализовать и поддерживать работу всех необходимых мер (в том числе установку сетевых экранов, применение средств аутентификации, шифрование данных, установку антивирусных программ и т. д.) для защиты изделия, сети, а также соответствующих систем и интерфейсов от любых нарушений защиты, несанкционированного доступа, вмешательства в работу, вторжения, утечки и/или кражи данных или информации. Корпорация АВВ и ее дочерние компании не будут нести ответственности за любые повреждения и/или ущерб, возникший в результате подобных нарушений безопасности, несанкционированного доступа, вмешательства в работу, вторжения, утечки и/или кражи данных или информации.

Ограничение ответственности

Производитель не несет ответственности в отношении изделия, которое (i) было неправильно отремонтировано или модифицировано; (ii) использовалось не по назначению, халатно обслуживалось или пострадало в результате несчастного случая; (iii) эксплуатировалось с нарушениями инструкций производителя; или (iv) вышло из строя в результате естественного износа.

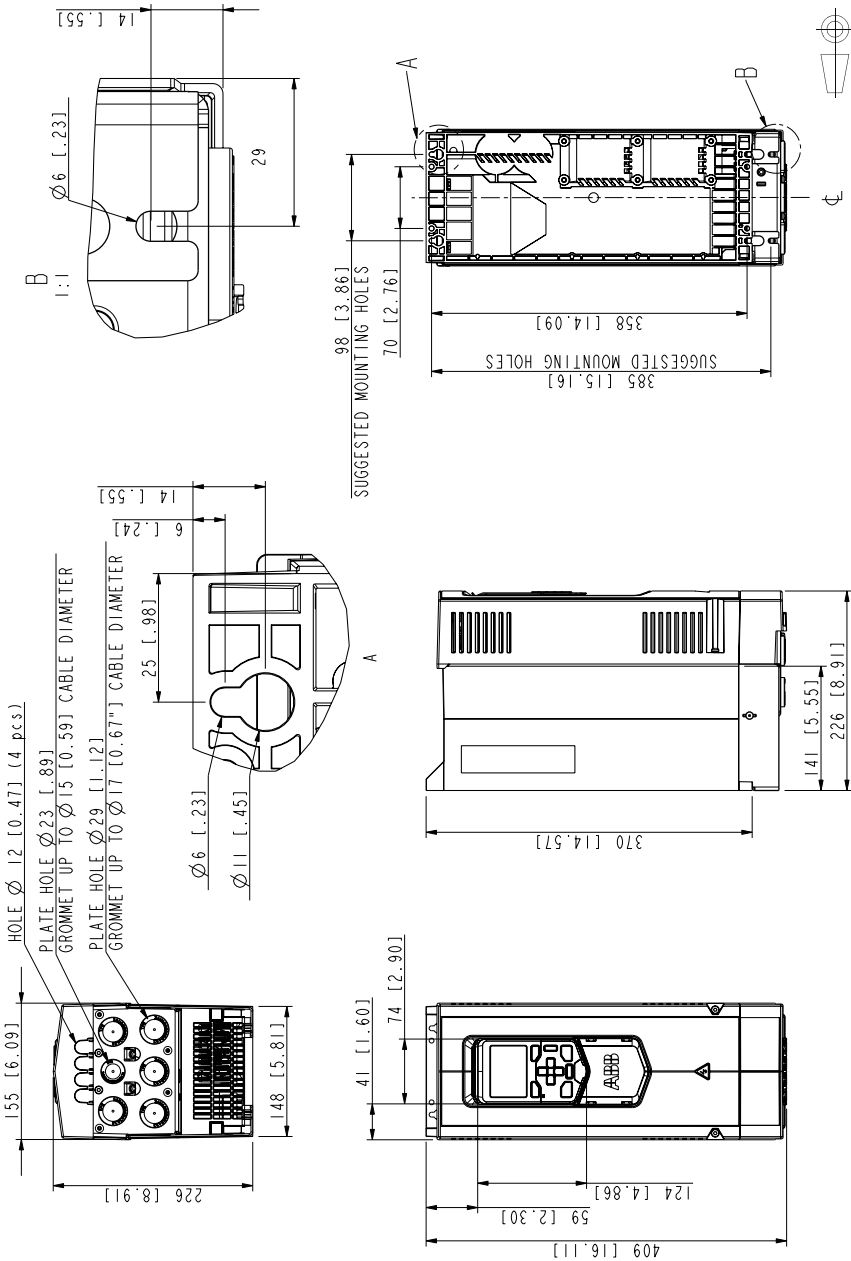
12

Габаритные чертежи

Обзор содержания главы

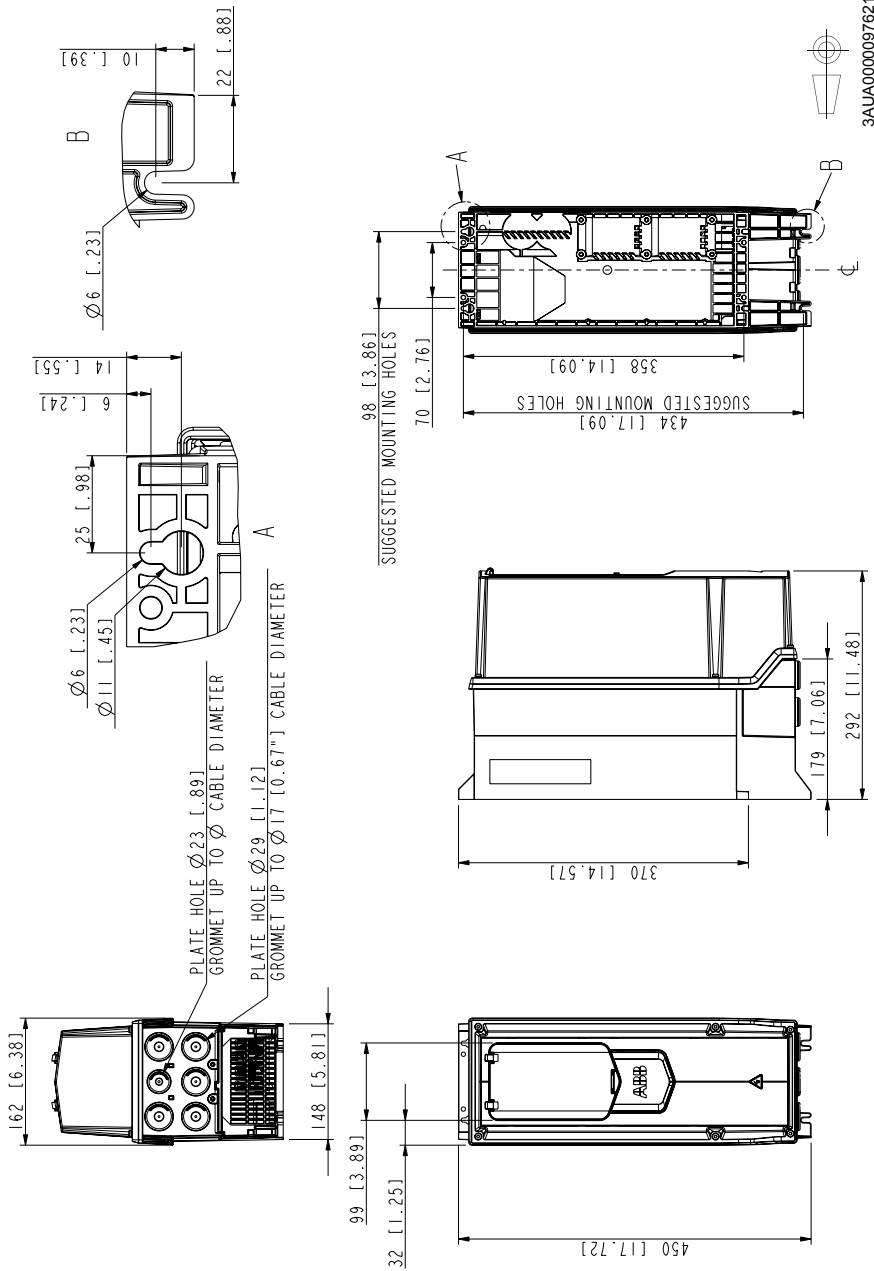
В этой главе приведены габаритные чертежи стандартного привода (IP21, UL тип 1) и привода с дополнительным компонентом +B056 (IP55, UL тип 12). Габаритные чертежи дополнительных компонентов +P940 и +P944 (IP20, открытого типа согласно UL) приведены в документе *ACS880-01 +P940/+P944 drives for cabinet installation supplement* (код английской версии 3AUA0000145446).

Типоразмер R1 (IP21 / UL, тип 1)

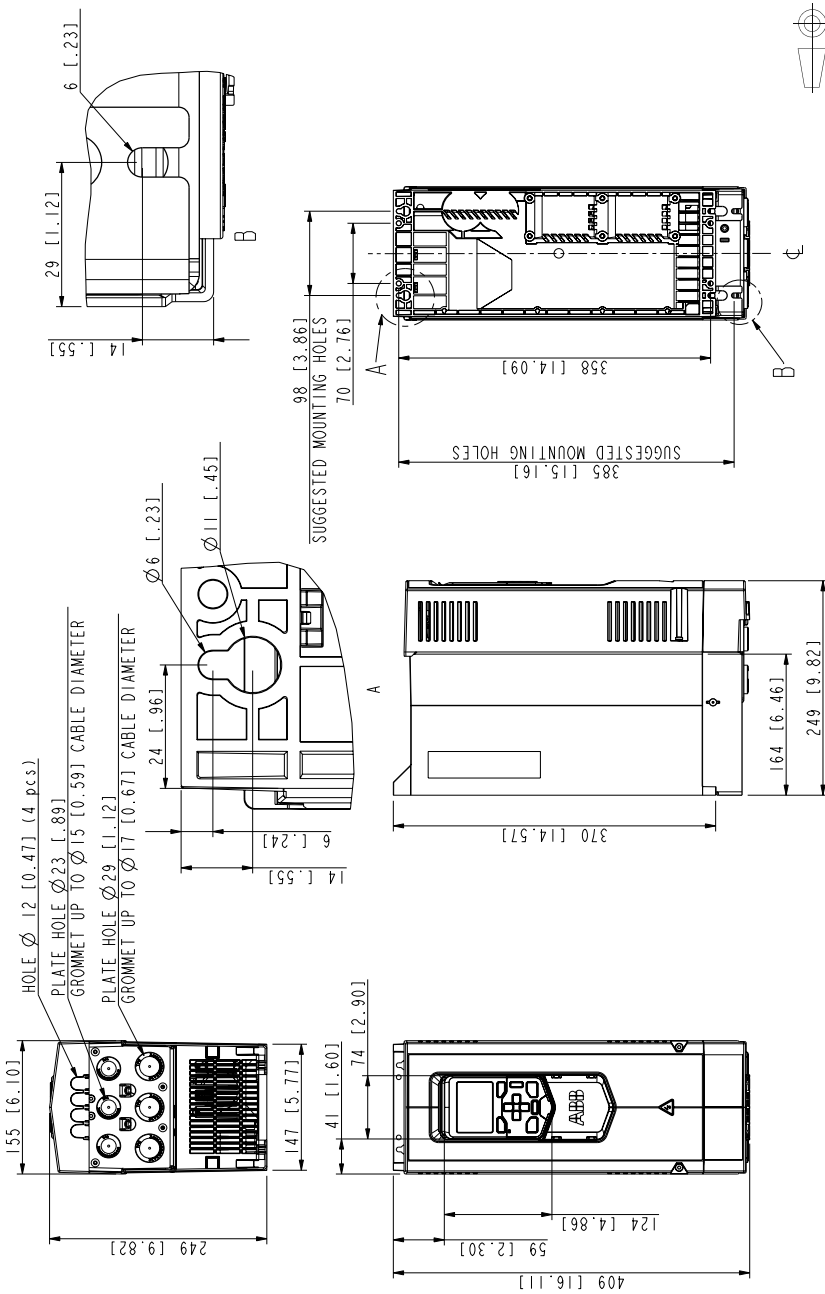


3AUJA000097621

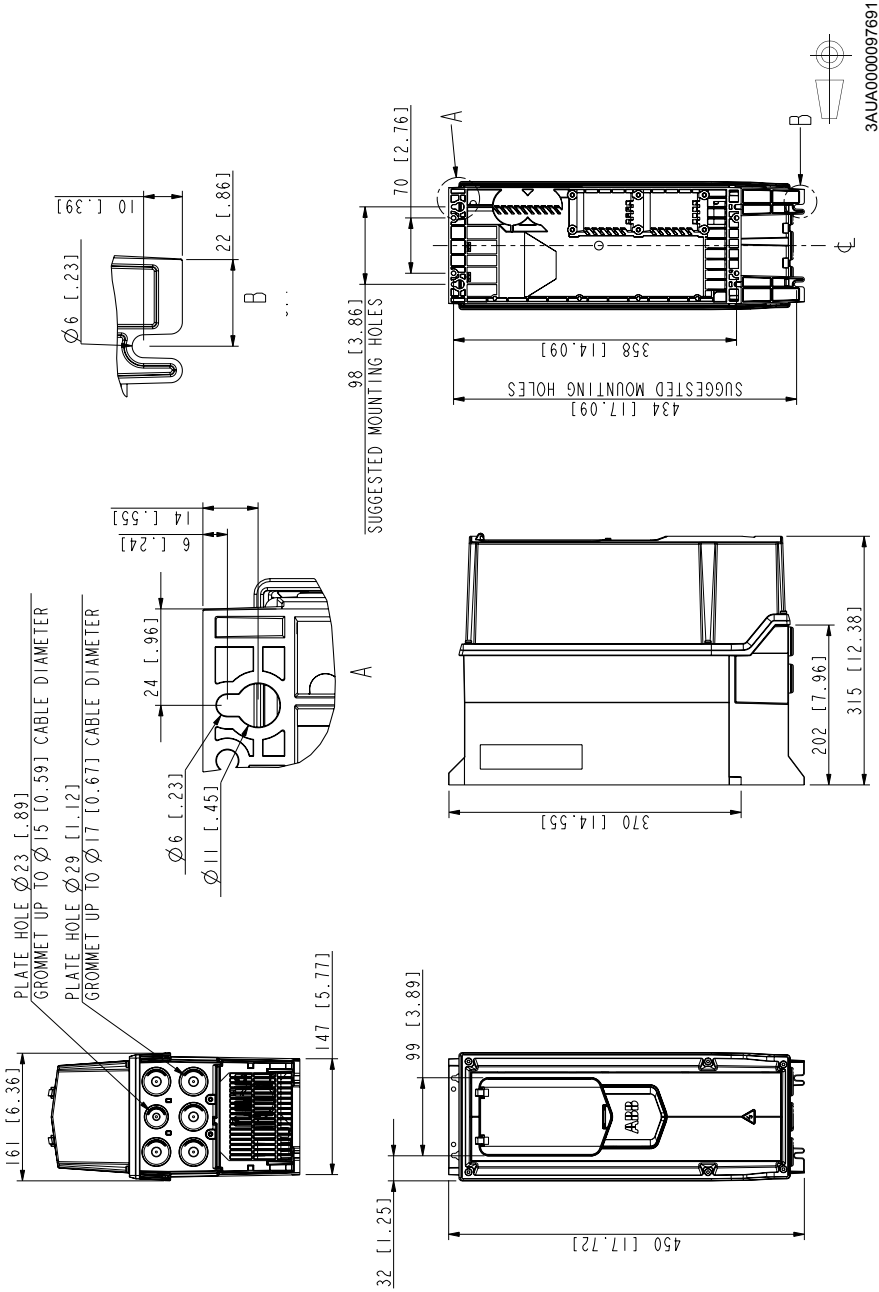
Типоразмер R1 (IP55 / UL, тип 12)



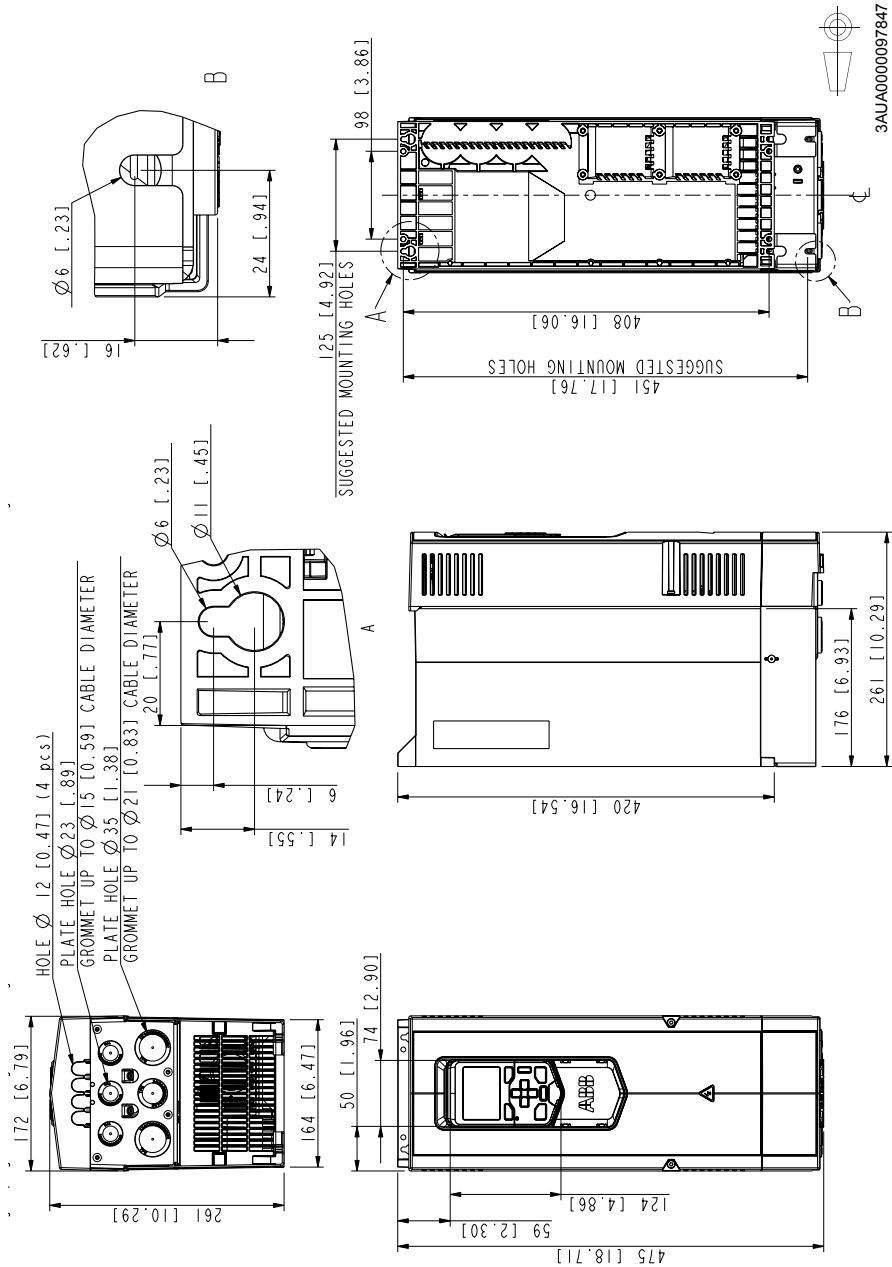
Типоразмер R2 (IP21 / UL, тип 1)



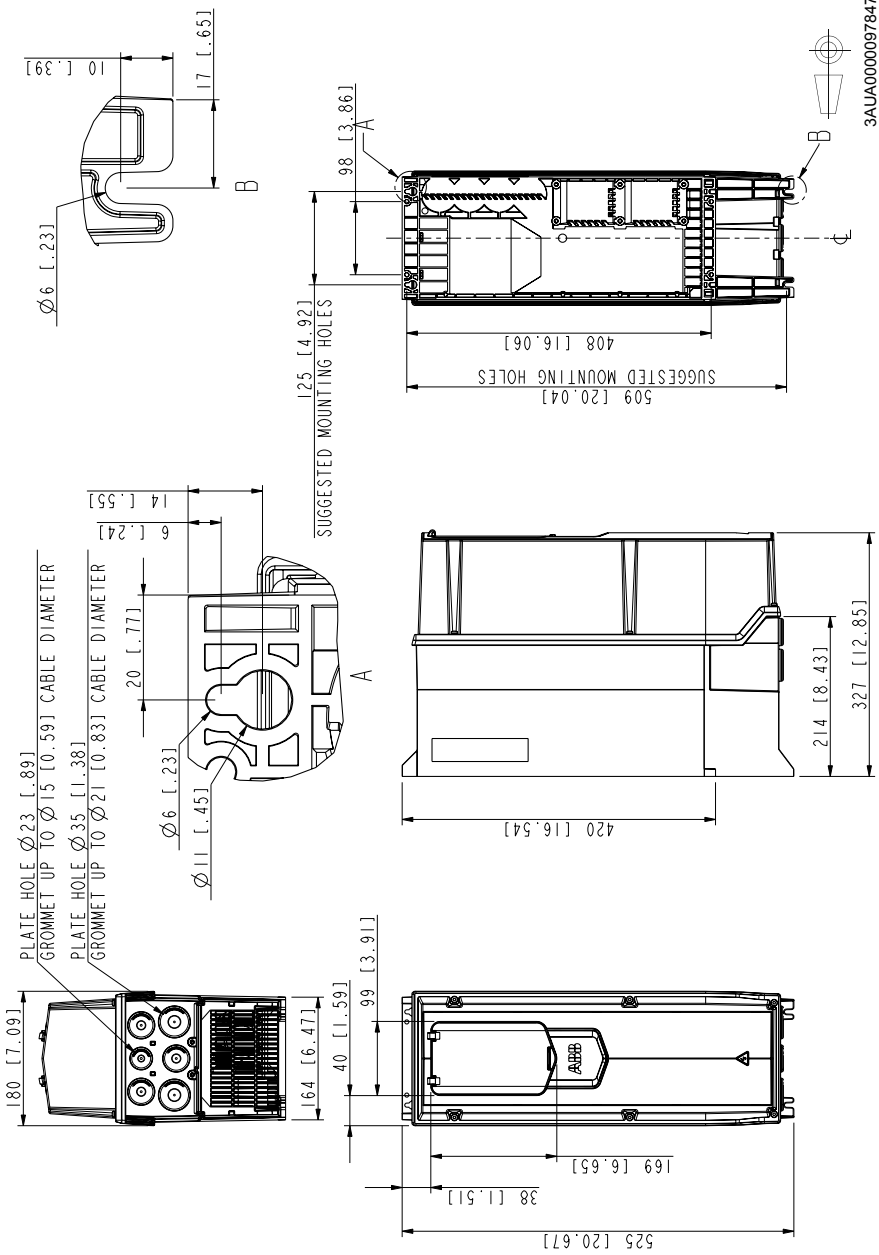
Типоразмер R2 (IP55 / UL, тип 12)



Типоразмер R3 (IP21 / UL, тип 1)



Типоразмер R3 (IP55 / UL, тип 12)



Типоразмер R4 (IP21 / UL, тип 1)

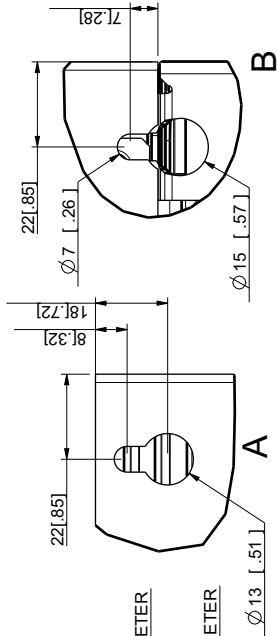
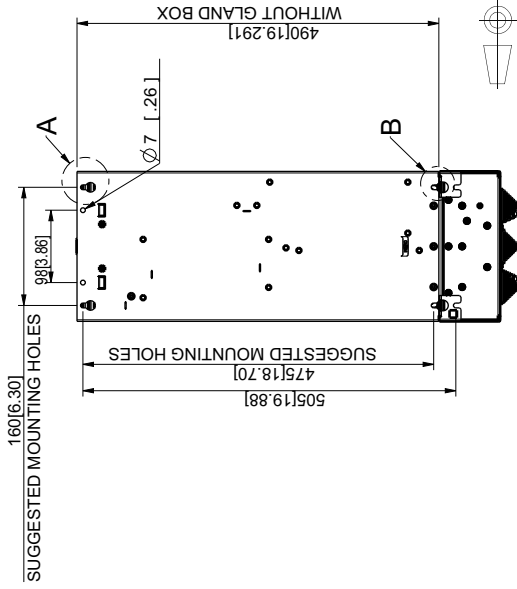
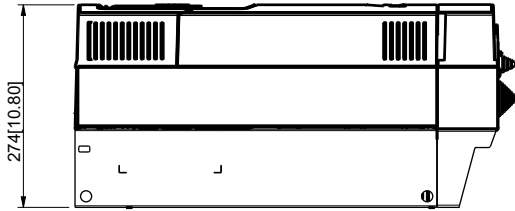
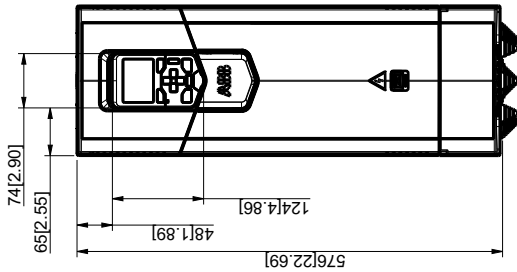
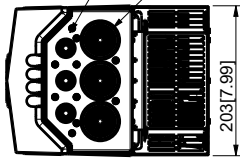


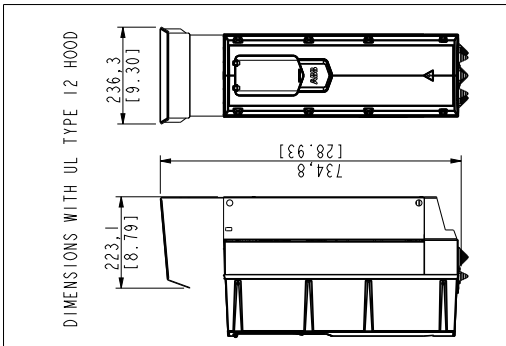
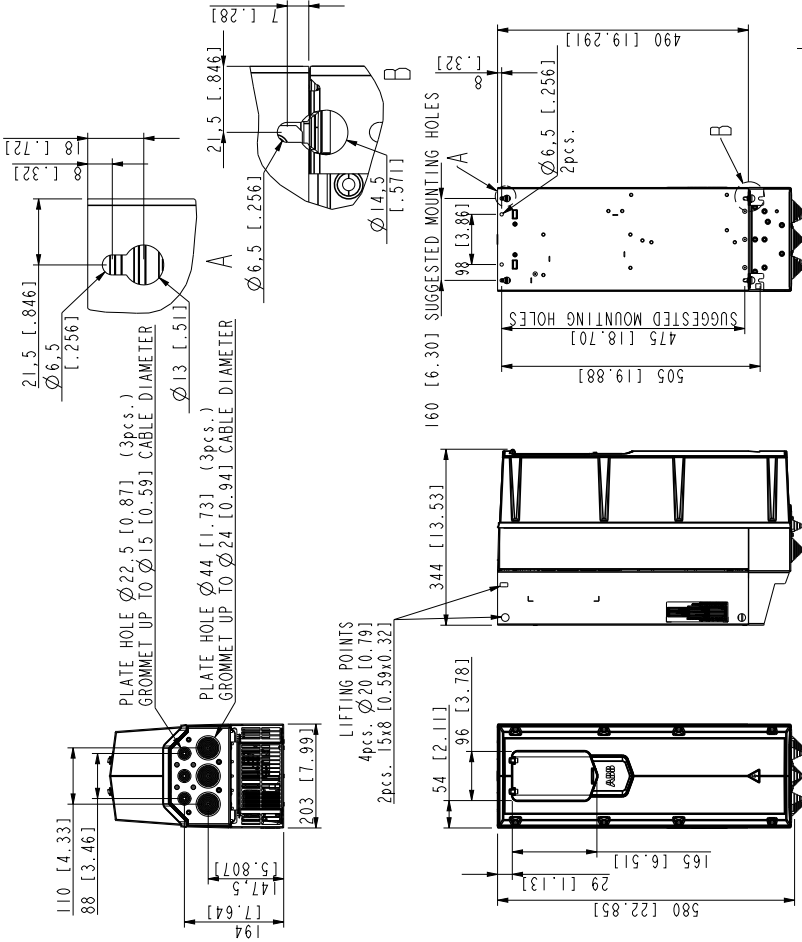
PLATE HOLE $\varnothing 22$ [0.87] (3pcs.)
GROMMET UP TO $\varnothing 15$ [0.59] CABLE DIAMETER

PLATE HOLE $\varnothing 44$ [1.73] (3pcs.)
GROMMET UP TO $\varnothing 24$ [0.94] CABLE DIAMETER



3AAUA0000608285

Типоразмер R4 (IP55, UL тип 12)



Заказ0000098285

Типоразмер R5 (IP21 / UL, тип 1)

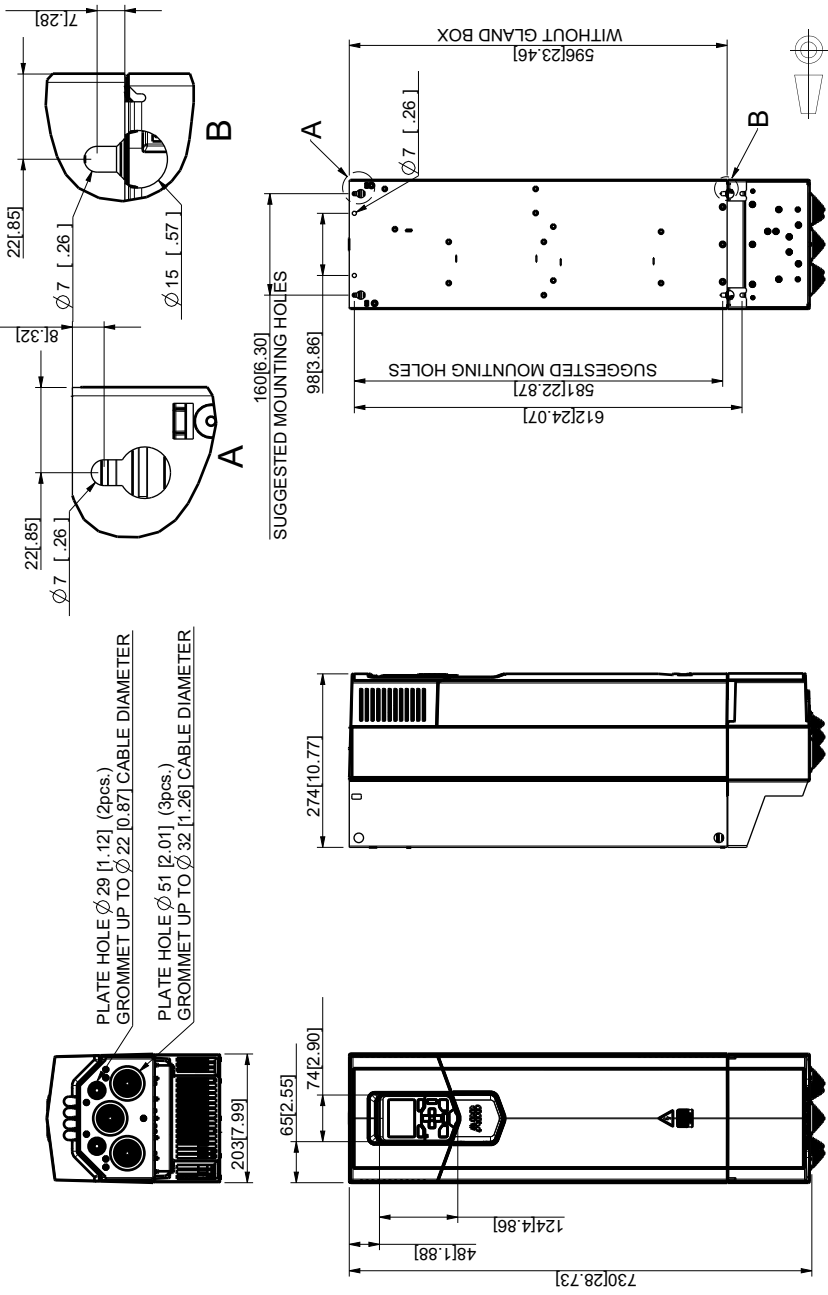
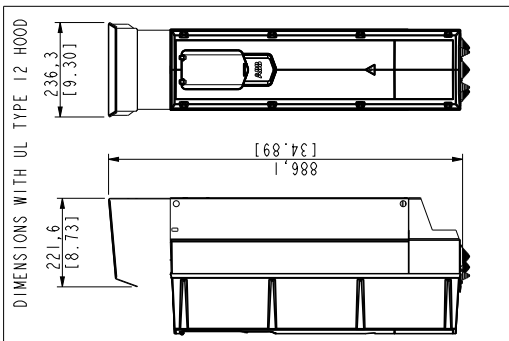
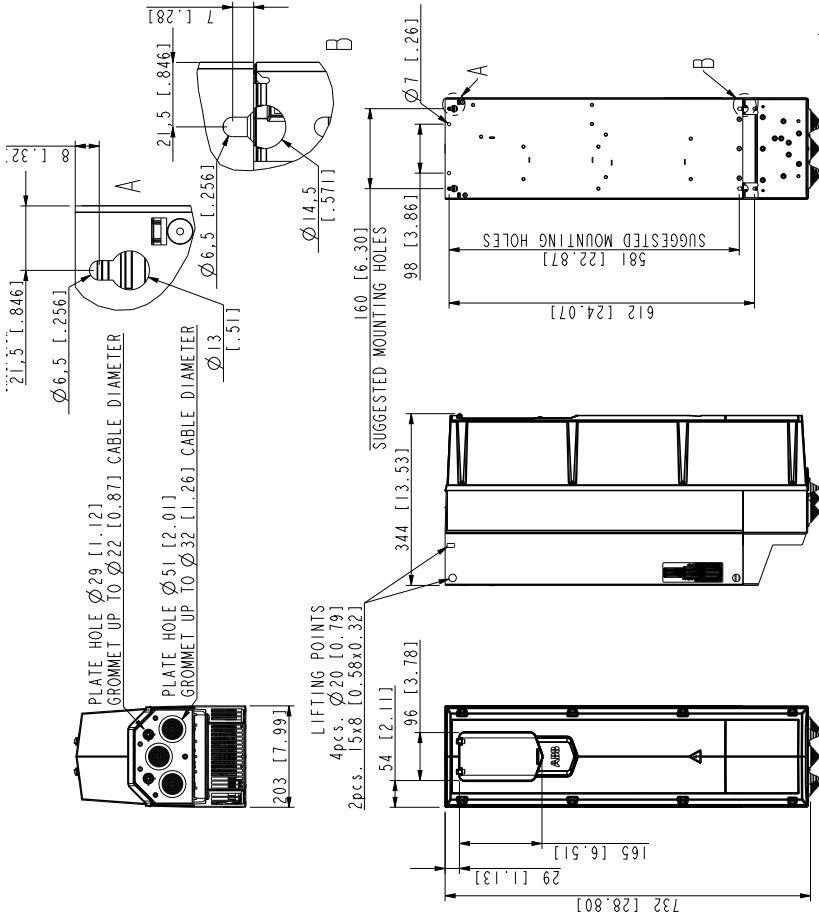


PLATE HOLE $\phi 29$ [1.12] (2pcs.)
 GROMMET UP TO $\phi 22$ [0.87] CABLE DIAMETER

PLATE HOLE $\phi 51$ [2.01] (3pcs.)
 GROMMET UP TO $\phi 32$ [1.26] CABLE DIAMETER

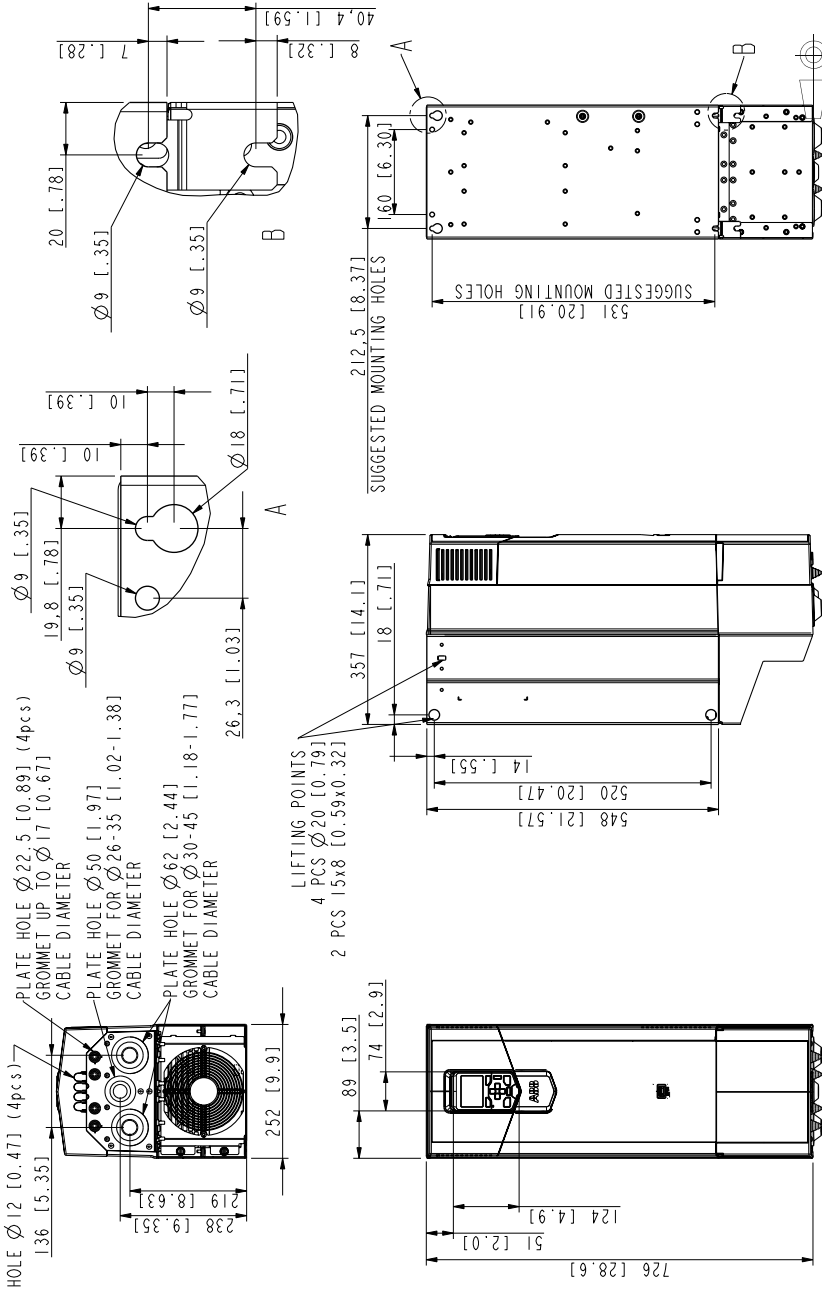
3AUA0000067966

Типоразмер R5 (IP55, UL тип 12)



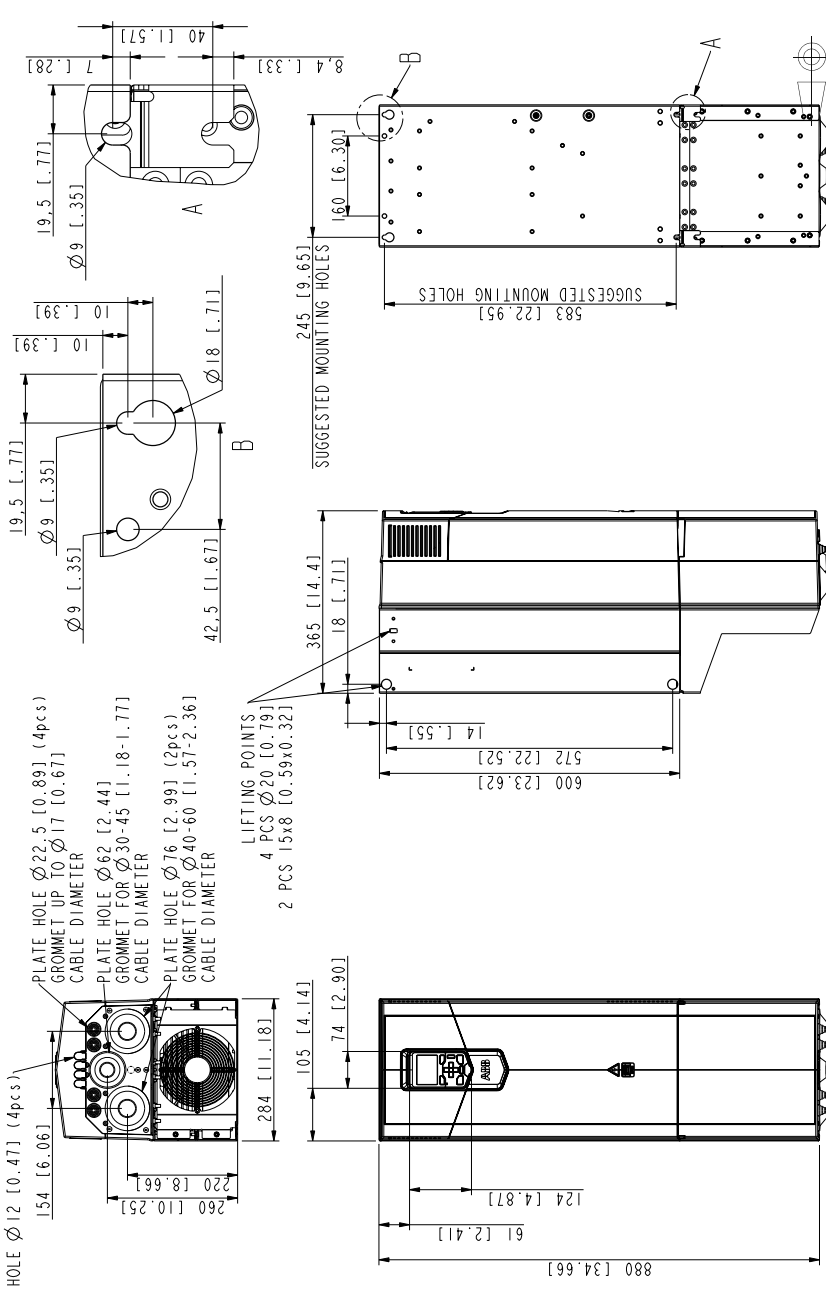
Заказ0000097965

Типоразмер R6 (IP21 / UL, тип 1)



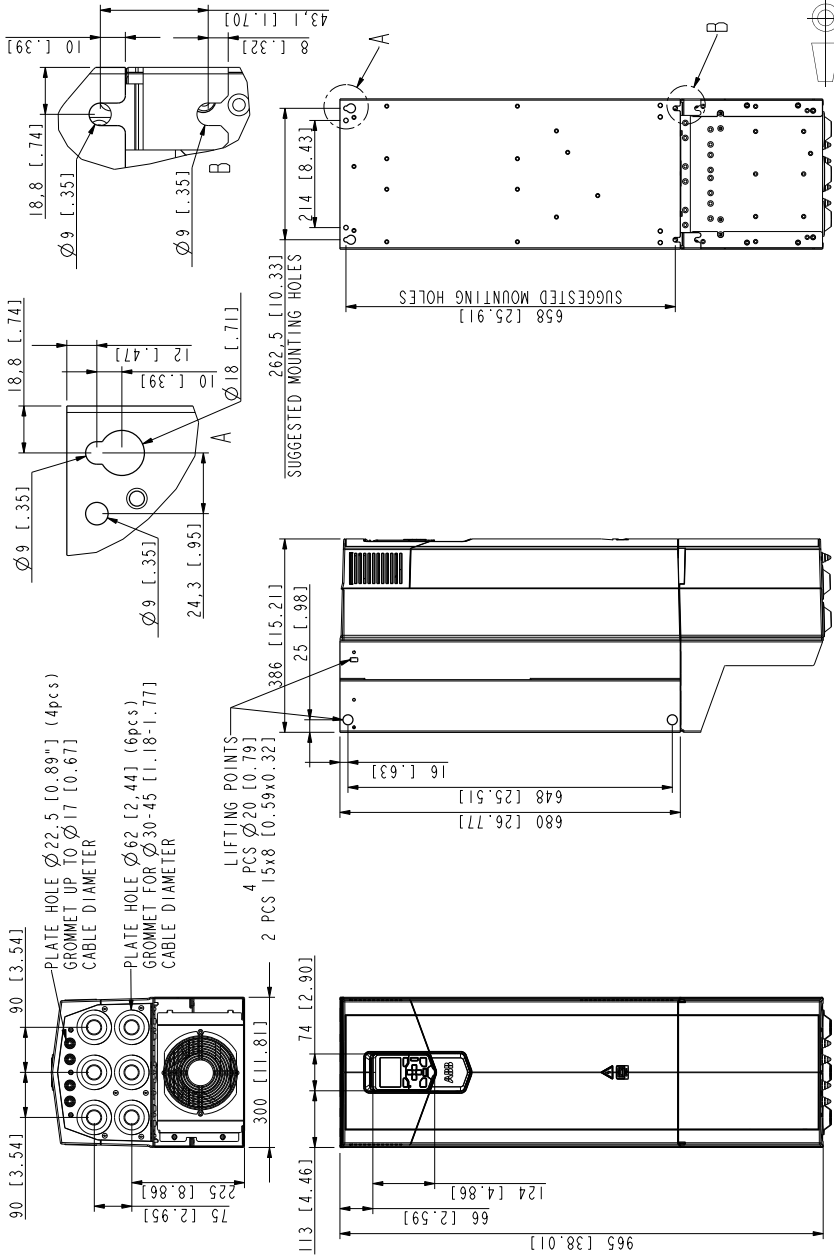
- PLATE HOLE $\varnothing 22.5$ [0.89] (4pcs)
GROMMET UP TO $\varnothing 17$ [0.67]
CABLE DIAMETER
- PLATE HOLE $\varnothing 50$ [1.97]
GROMMET FOR $\varnothing 26-35$ [1.02-1.38]
CABLE DIAMETER
- PLATE HOLE $\varnothing 62$ [2.44]
GROMMET FOR $\varnothing 30-45$ [1.18-1.77]
CABLE DIAMETER

Типоразмер R7 (IP21 / UL, тип 1)

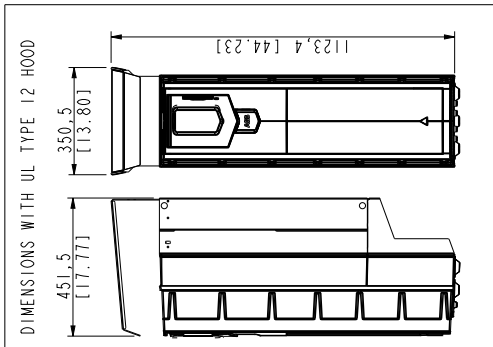
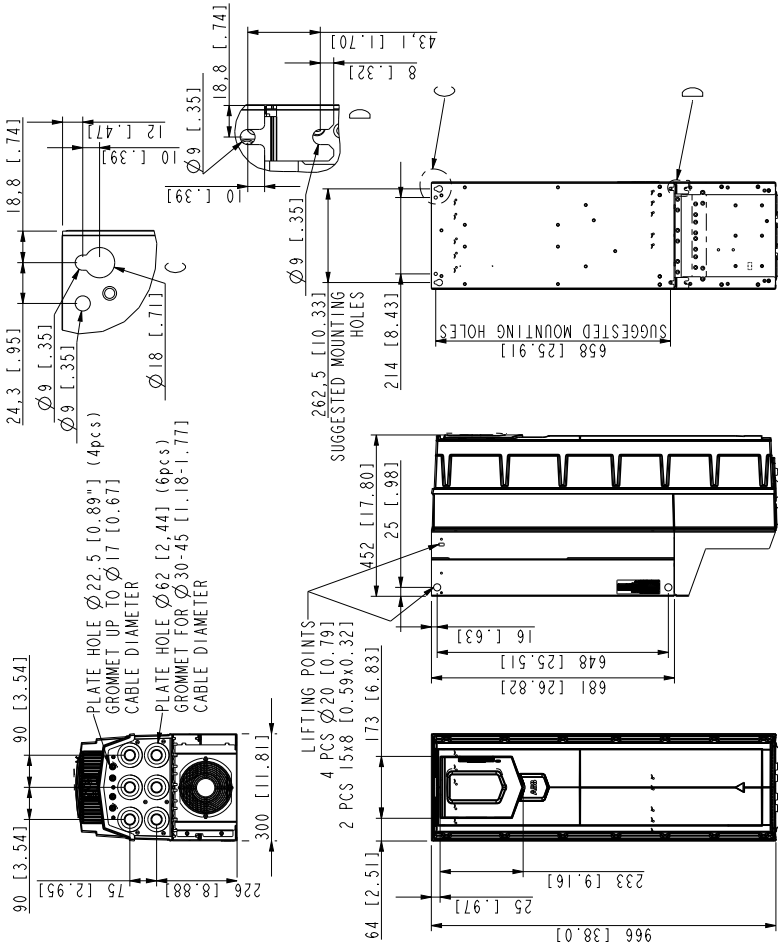


3AUA0000073149

Типоразмер R8 (IP21 / UL, тип 1)



Типоразмер R8 (IP55, UL тип 12)



3AUA0000073150

Типоразмер R9 (IP55, UL тип 12)

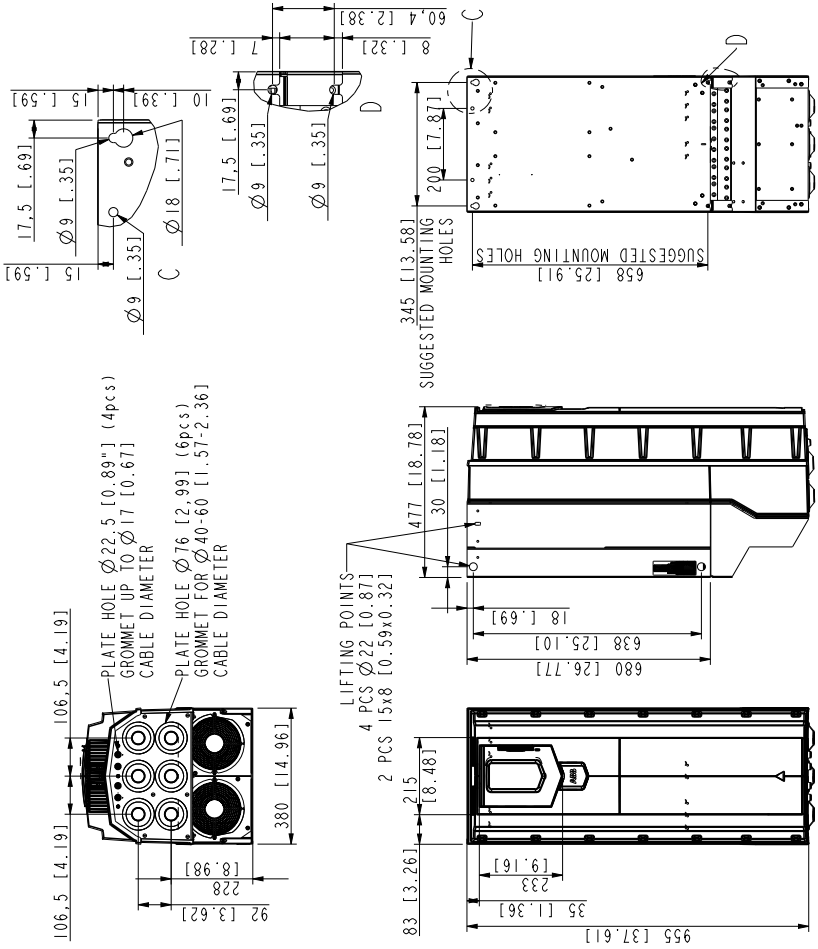
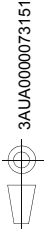
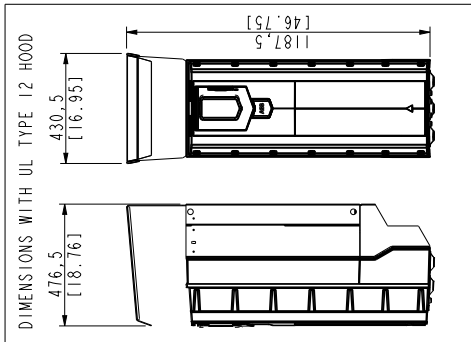


PLATE HOLE Ø22.5 [0.89"] (4pcs)
GROMMET UP TO Ø17 [0.67]
CABLE DIAMETER

PLATE HOLE Ø76 [2.99] (6pcs)
GROMMET FOR Ø40-60 [1.57"-2.36"]
CABLE DIAMETER

LIFTING POINTS
4 PCS Ø22 [0.87]
2 PCS 15x8 [0.59x0.32]





13

Функция безопасного отключения крутящего момента

Обзор содержания главы

В данной главе дано описание функции безопасного отключения крутящего момента привода и приведены инструкции по ее использованию.

Описание

Функция безопасного отключения крутящего момента может использоваться, например, для создания контрольных цепей или цепей безопасности, останавливающих работу привода в случае опасности (например, цепь аварийного останова). Данная функция также может использоваться для предотвращения нежелательного запуска во время кратковременных работ по обслуживанию (например, чистки) или выполнения работ в неэлектрической части машинного оборудования, не требующих прекращения подачи питания на привод.

При включении функция безопасного отключения крутящего момента блокирует управляющее напряжение силовых полупроводниковых приборов выходной ступени привода (точка А на приведенном ниже рисунке), что препятствует формированию приводом крутящего момента, необходимого для вращения двигателя. Если двигатель работает в момент включения функции безопасного останова, он будет остановлен выбегом.

Функция безопасного отключения крутящего момента имеет архитектуру с механизмами дублирования, т. е. для реализации функции защиты необходимо использовать оба канала. Приведенные в данном руководстве характеристики безопасности рассчитываются только для случае использования механизма дублирования и не имеют смысла, если не задействованы оба канала.

Функция безопасного отключения крутящего момента привода соответствует следующим стандартам:

Стандарт	Наименование
EN 60204-1:2006 + AC:2010	<i>Безопасность машин – Электрооборудование машин и механизмов – Часть 1: Общие требования.</i>
IEC 61326-3-1:2008	<i>Электрооборудование для измерения, управления и лабораторного использования – Требования к электромагнитной совместимости – Часть 3-1: Требования помехоустойчивости к системам, связанным с обеспечением безопасности, и оборудованию для выполнения функций, связанных с обеспечением безопасности, (функциональная безопасность) – Общее применение в промышленности</i>
IEC 61508-1:2010	<i>Функциональная безопасность систем электрических, электронных и программируемых электронных предохранительных устройств – Часть 1: Общие требования.</i>
IEC 61508-2:2010	<i>Функциональная безопасность систем электрических, электронных, программируемых электронных, связанных с безопасностью – Часть 2: Требования к системам</i>
IEC 61511:2003	<i>Функциональная безопасность – Системы противоаварийной защиты в перерабатывающей промышленности</i>
IEC/EN 61800-5-2:2007	<i>Системы силовых электроприводов с регулируемой скоростью – Часть 5-2: Требования по безопасности — функциональные</i>
EN 62061:2005 + A1:2013 IEC 62061:2005 + A1:2012	<i>Безопасность машин – Функциональная безопасность электрических, электронных и программируемых электронных систем контроля, связанных с безопасностью</i>
EN ISO 13849-1:2008 + AC:2009	<i>Безопасность машин – Устройства, обеспечивающие безопасность, в системах управления – Часть 1: Общие принципы проектирования</i>
EN ISO 13849-2:2012	<i>Безопасность машин – Устройства, обеспечивающие безопасность, в системах управления – Часть 2: Проверка</i>

Данная функция также соответствует механизмам предотвращения нежелательного запуска, описанным в стандарте EN 1037:1995 + A1:2008 и механизмом неконтролируемой остановки (категория остановки 0) в соответствии со стандартом EN 60204-1:2006 + AC:2010.

■ Соответствие Европейским указаниям по охране труда в машиностроении

См. раздел [Соответствие Европейским указаниям по охране труда в машиностроении](#) на стр. 203.

Электрический монтаж

На приведенных ниже схемах указаны примеры проводки при реализации функции безопасного останова в следующих случаях:

- одиночный привод (стр. 234);
- несколько приводов (стр. 235);
- несколько приводов с внешним источником питания на 24 В= (стр. 236).

Информация о характеристиках входа STO приведена в разделе [Данные подключения блока управления \(ZCU-12\)](#) на стр. 195.

■ Активизирующий выключатель

На приведенных ниже монтажных схемах активизирующий выключатель обозначен буквой К. Данный компонент представляет собой выключатель с ручным управлением, кнопку аварийного останова, контакты защитного реле или аварийную защиту на базе ПЛК.

- При использовании выключателя с ручным управлением необходимо использовать выключатель, допускающий блокировку в разомкнутом положении.
- Разница времени при изменении состояний контактов выключателя или реле не должна превышать 200 мс.
- Также можно использовать модуль функций защиты FSO-xx. Дополнительная информация приведена в документации модуля FSO-xx.

■ Типы и длина кабелей

Рекомендуется использовать кабель типа «витая пара» с двойной изоляцией.

Максимальная длина кабелей:

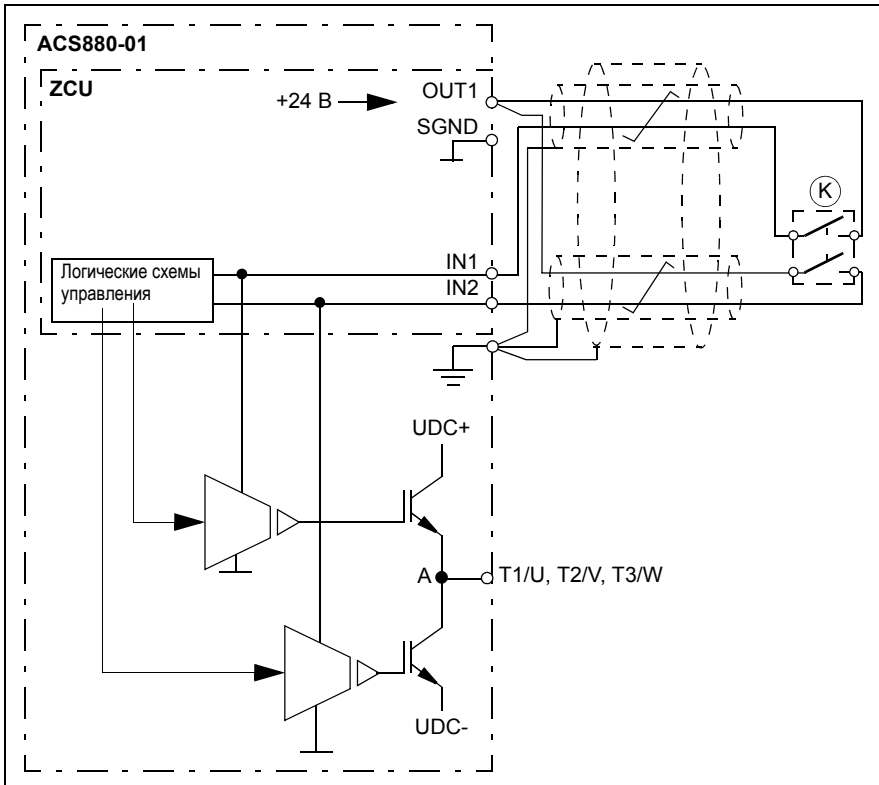
- 300 м между активизирующим выключателем (К) и блоком управления приводом
- 60 м между приводами
- 60 м между внешним источником питания и первым приводом.

Обратите внимание, что для достижения значения логической «1» напряжение на клеммах INx каждого привода должно быть не менее 17 В=.

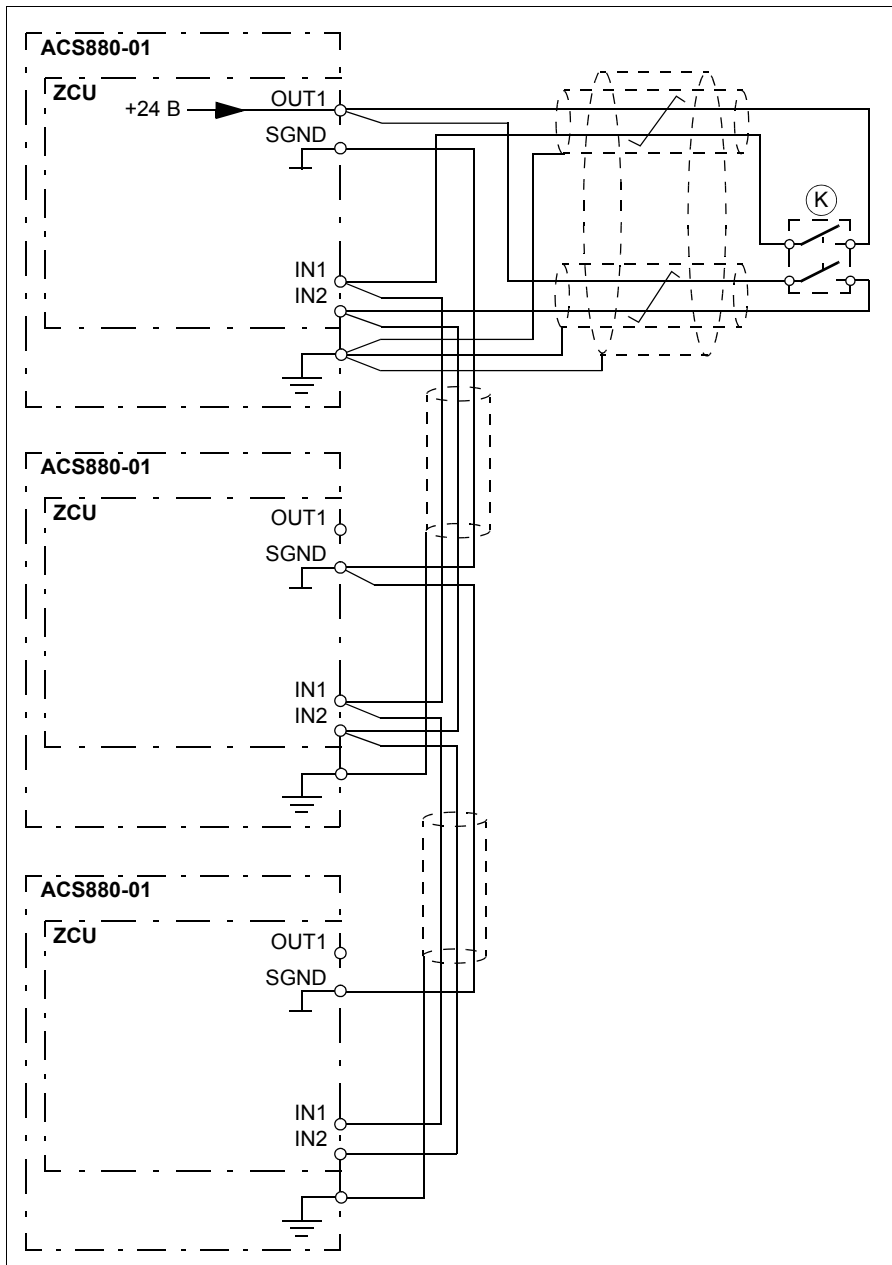
■ Заземление защитных экранов кабелей

- Заземление экранов кабелей между активизирующим выключателем и блоком управления следует выполнить на блоке управления.
 - Заземление экранов кабелей между двумя блоками управления следует выполнить только на одном блоке управления.
-

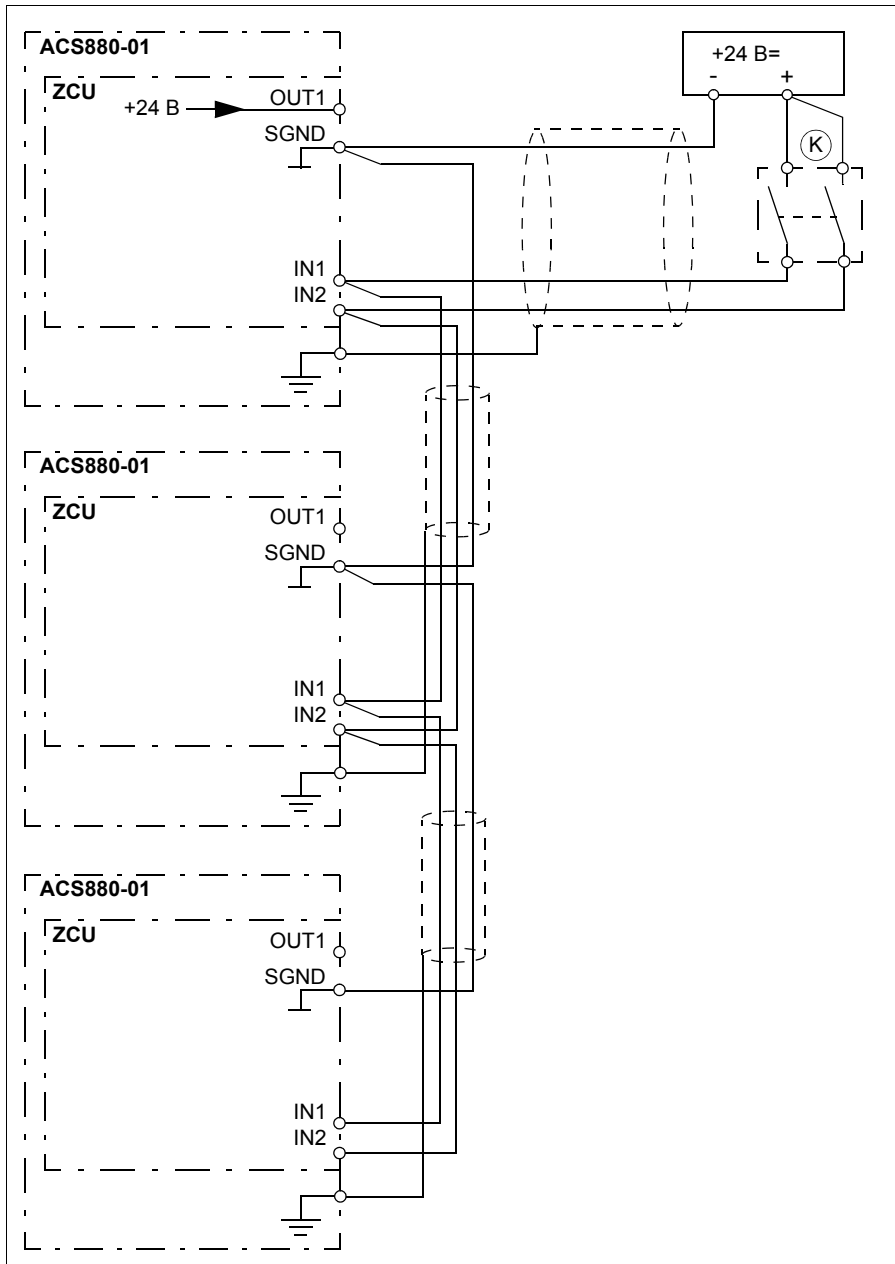
Одиночный привод (внутренний источник питания)



■ Несколько приводов (внутренний источник питания)



■ Несколько приводов (внешний источник питания)



Принцип действия

1. Задействуется функция безопасного отключения крутящего момента (размыкание активизирующего выключателя или контактов защитного реле).
2. Входы STO блока управления приводом обесточиваются.
3. Блок управления приводом отключает управляющее напряжение от транзисторов IGBT привода.
4. Программа управления формирует предупреждение, определяемое параметром 31.22 (см. руководство по микропрограммному обеспечению привода).
5. Двигатель останавливается выбегом (если запущен). Привод не может быть перезапущен, пока разомкнут активизирующий выключатель или контакты защитного реле. После замыкания контактов для запуска привода необходимо повторно подать команду запуска.

Запуск, включая приемочные испытания

Чтобы убедиться в безопасном действии функции STO, требуется подтверждение. Лицо, осуществляющее завершающие действия по монтажу системы, должно проверить работу функции, проведя приемочные испытания.

Такие испытания должны проводиться:

- при первом пуске функции защиты
- после внесения любых изменений, касающихся функции защиты (печатные платы, электромонтаж, компоненты, настройки и т.п.)
- после любых операций технического обслуживания, касающихся функции защиты.

■ Компетентность


Приемочные испытания функции защиты должны проводиться компетентным лицом, в полной мере обладающим опытом и знаниями в отношении функции защиты, а также функциональной безопасности в соответствии с требованиями стандарта IEC 61508-1 параграф 6. Процедура испытаний и протокол испытаний должны быть составлены и подписаны данным лицом.

■ Акты приемочных испытаний

Подписанные акты приемочных испытаний должны храниться в формуляре машины. Акт должен включать документацию об операциях запуска и результатах приемочных испытаний, ссылки на сообщения об отказах и их устранении. В формуляре должны фиксироваться любые новые приемочные испытания, проведенные вследствие внесения изменений и выполнения технического обслуживания.

■ Проведение приемочных испытаний

После присоединения устройства STO проверьте его работу следующим образом. Установка параметров программы управления не требуется. Если установлен модуль обеспечения безопасности FSO-xx (дополнительный компонент +Q973), действуйте по методике, описанной в документации по этому модулю FSO.

Действие	<input checked="" type="checkbox"/>
 ПРЕДУПРЕЖДЕНИЕ! Соблюдайте требования, изложенные в разделе <i>Инструкция по технике безопасности</i> на стр. 13. Несоблюдение этих указаний может привести к травме и опасно для жизни или может вызвать повреждение оборудования.	<input type="checkbox"/>
Убедитесь, что привод может вращаться и останавливаться во время запуска.	<input type="checkbox"/>
Остановите привод (если вращается), выключите входное питание и отсоедините привод от питающей электросети с помощью разъединителя.	<input type="checkbox"/>
Проверьте подключение схемы STO по принципиальной схеме.	<input type="checkbox"/>
Замкните разъединитель и включите питание.	<input type="checkbox"/>
<p>Проверьте действие функции STO, когда двигатель неподвижен.</p> <ul style="list-style-type: none"> • Подайте на привод команду останова (если он вращается) и подождите, пока вал двигателя не остановится. <p>Проверьте, что привод ведет себя следующим образом:</p> <ul style="list-style-type: none"> • Разомкните цепь STO. Привод сформирует соответствующее предупреждение, если оно задано для состояния «останов» в параметре 31.22 (см. руководство по микропрограммному обеспечению). • Подайте команду запуска и убедитесь, что функция безопасного отключения крутящего момента блокирует работу привода. Двигатель не должен запуститься. • Замкните цепь STO. • Выполните сброс действующих неисправностей. Перезапустите привод и убедитесь, что двигатель вращается нормально. 	<input type="checkbox"/>

Действие	<input checked="" type="checkbox"/>
<p>Проверьте действие функции STO, когда двигатель вращается.</p> <ul style="list-style-type: none"> • Запустите привод и убедитесь, что двигатель вращается. • Разомкните цепь STO. Двигатель должен остановиться. Привод формирует соответствующее предупреждение, если оно задано для состояния «работа» в параметре 31.22 (см. руководство по микропрограммному обеспечению). • Выполните сброс действующих неисправностей и попробуйте запустить привод. • Убедитесь, что двигатель остается неподвижным, а привод работает как описано выше при испытании в ситуации, когда двигатель остановлен. • Замкните цепь STO. • Выполните сброс действующих неисправностей. Перезапустите привод и убедитесь, что двигатель вращается нормально. 	<input type="checkbox"/>
Составьте и подпишите акт приемочных испытаний, который подтверждает, что данная функция защиты безопасна и пригодна для работы.	<input type="checkbox"/>

Назначение

1. Разомкните активизирующий выключатель или задействуйте механизм безопасности, подключенный к STO.
2. Выходы STO блока управления приводом обесточиваются, а блок управления приводом отключает подачу напряжения от транзисторов IGBT инвертора.
3. Программа управления формирует предупреждение, определяемое параметром 31.22 (см. руководство по микропрограммному обеспечению привода).
4. Двигатель останавливается выбегом (если запущен). Привод невозможно перезапустить, пока разомкнут активизирующий выключатель или контакты защитного реле.
5. Отключите функцию безопасного отключения крутящего момента, замкнув активизирующий выключатель или выполнив сброс механизма безопасности, подключенного к STO.
6. Перед повторным запуском выполните сброс действующих неисправностей.



ПРЕДУПРЕЖДЕНИЕ! Функция безопасного отключения крутящего момента не снимает напряжение с силовых и вспомогательных цепей привода. Поэтому выполнение работ по техническому обслуживанию электрических компонентов привода или двигателя допускается только после полного отключения приводной системы от главного источника питания.



ПРЕДУПРЕЖДЕНИЕ! (Только для двигателей с постоянными магнитами и синхронизированных реактивных двигателей [SynRM]) В случае множественных отказов силовых проводников IGBT система может вырабатывать выравнивающий крутящий момент, который поворачивает вал двигателя максимум на $180/p$ (для двигателей с постоянными магнитами) или $180/2p$ (для синхронизированных реактивных двигателей [SynRM]) градусов, независимо от включения функции безопасного отключения крутящего момента. p соответствует количеству пар полюсов.

Примечания

- Если работающий привод остановить с помощью функции STO, то привод отключит двигатель от питающего напряжения и двигатель остановится выбегом. Если это создает опасность или неприемлемо по другим причинам, привод и оборудование перед использованием этой функции необходимо остановить надлежащим способом.
- Приоритет функции безопасного отключения крутящего момента выше любой другой функции привода.
- От преднамеренного саботажа и небрежного обращения функция безопасного отключения крутящего момента не защищает.
- Функция безопасного отключения крутящего момента предназначена для уменьшения количества возникающих опасных ситуаций. Несмотря на это, не всегда возможно устранить все потенциальные опасности. Лицо, выполняющее масштаб системы, должно уведомить конечного пользователя об имеющихся остаточных рисках.

Техническое обслуживание

После того как работа схемы проверена при запуске, техническое обслуживание функции STO будет заключаться в периодических контрольных испытаниях. При режимах эксплуатации с высокой загрузкой максимальный интервал между контрольными испытаниями составляет 20 лет. При режимах эксплуатации с низкой загрузкой максимальный интервал между контрольными испытаниями составляет 2 года. Процедура испытаний приводится в разделе [Проведение приемочных испытаний](#) на стр. 238.

Примечание. Также ознакомьтесь с изданными Европейской координационной группой уполномоченных органов Рекомендациями по использованию CNB/M/11.050, которые касаются двухканальных систем, связанных с безопасностью, с электромеханическими выходами:

- Если функция защиты должна соответствовать требованиям к совокупной безопасности уровня SIL 3 или PL e (кат. 3 или 4), контрольные испытания функции защиты должны производиться не реже одного раза в месяц.
 - Если функция защиты должна соответствовать требованиям к совокупной безопасности уровня SIL 2 (HFT = 1) или PL d (кат. 3), контрольные испытания функции защиты должны производиться не реже одного раза в 12 месяцев.
-

Функция STO не содержит никаких электромеханических компонентов.

В дополнение к контрольным испытаниям рекомендуется проверять работу функции при проведении других операций технического обслуживания оборудования.

Включите описанную выше проверку работы функции STO в программу профилактического технического обслуживания механического оборудования, которое вращает инвертор.

Если после запуска потребуется заменить какой-либо провод или компонент или если восстанавливаются параметры, проведите проверку, описанную в разделе *Проведение приемочных испытаний*, стр. 238.

Используйте только запасные части, утвержденные ABB.

Ведите учет всех операций по техническому обслуживанию и контрольным испытаниям в журнале технического обслуживания.

■ Компетентность

Операции по техническому обслуживанию и контрольные испытания функции защиты должны производиться компетентным лицом, в полной мере обладающим опытом и знаниями в отношении функции защиты, а также функциональной безопасности в соответствии с требованиями стандарта IEC 61508-1, параграф 6.

Поиск и устранение неисправностей

Сообщения, выдаваемые во время нормальной работы функции безопасного отключения крутящего момента, задаются параметром 31.22.

В рамках диагностики функции безопасного отключения крутящего момента сравниваются состояния двух каналов STO. Если каналы находятся в различных состояниях, запускается функция реакции на отказ и привод отключается с отказом «сбой аппаратного обеспечения STO». Попытка использования функции STO без механизма дублирования (например, путем активации только одного канала) также приведет к вышеописанному результату.

Описание соответствующих выдаваемых приводом сообщений, а также сведения по перенаправлению информации об отказах и предупреждениях на выход блока управления для использования внешними средствами диагностики приведены в руководстве по микропрограммному обеспечению привода.

О любых отказах в работе функции безопасного отключения крутящего момента необходимо сообщить в корпорацию ABB.

Характеристики безопасности (SIL, PL)

Ниже приведены характеристики безопасности функции безопасного отключения крутящего момента.

Примечание. Характеристики безопасности рассчитываются только для случая использования механизма дублирования и не имеют смысла, если не задействованы оба канала.

Типо-размер	IEC 61508 и EN/IEC 61800-5-2											
	SIL/SILCL	SC	PL	SFF (%)	PFF (T1 = 20 лет) (1/ч)	PFD (T1 = 2 года)	MTTF _d (лет)	DC* (%)	Кат.	HFT	CCF (%)	Срок службы (лет)
$U_N = 230 \text{ В}$												
R1	3	3	e	99,67	2,33E-09 (2,33 FIT)	4,58E-7	7321	> 90	3	1	80	20
R2	3	3	e	99,67	2,33E-09 (2,33 FIT)	4,58E-7	7321	> 90	3	1	80	20
R3	3	3	e	99,68	2,33E-09 (2,33 FIT)	3,69E-7	9093	> 90	3	1	80	20
R4	3	3	e	99,66	2,43E-09 (2,43 FIT)	5,85E-7	5731	> 90	3	1	80	20
R5	3	3	e	99,66	2,43E-09 (2,43 FIT)	5,85E-7	5731	> 90	3	1	80	20
R6	3	3	e	99,65	2,44E-09 (2,44 FIT)	8,70E-7	3847	> 90	3	1	80	20
R7	3	3	e	99,65	2,44E-09 (2,44 FIT)	8,70E-7	3847	> 90	3	1	80	20
R8	3	3	e	99,65	2,44E-09 (2,44 FIT)	8,70E-7	3847	> 90	3	1	80	20
$U_N = 400 \text{ В}, U_N = 500 \text{ В}$												
R1	3	3	e	99,67	2,33E-09 (2,33 FIT)	4,58E-7	7321	> 90	3	1	80	20
R2	3	3	e	99,67	2,33E-09 (2,33 FIT)	4,58E-7	7321	> 90	3	1	80	20
R3	3	3	e	99,68	2,33E-09 (2,33 FIT)	3,69E-7	9093	> 90	3	1	80	20
R4	3	3	e	99,66	2,43E-09 (2,43 FIT)	5,85E-7	5731	> 90	3	1	80	20
R5	3	3	e	99,66	2,43E-09 (2,43 FIT)	5,85E-7	5731	> 90	3	1	80	20
R6	3	3	e	99,65	2,44E-09 (2,44 FIT)	8,70E-7	3847	> 90	3	1	80	20
R7	3	3	e	99,65	2,44E-09 (2,44 FIT)	8,70E-7	3847	> 90	3	1	80	20
R8	3	3	e	95,04	3,84E-09 (3,84 FIT)	1,56E-4	1374	> 90	3	1	80	20
R9	3	3	e	95,04	3,84E-09 (3,84 FIT)	1,56E-4	1374	> 90	3	1	80	20
$U_N = 690 \text{ В}$												

Типо-размер	IEC 61508 и EN/IEC 61800-5-2											
	SIL/SILCL	SC	PL	SFF (%)	PFH (T1 = 20 лет) (1/ч)	PFD (T1 = 2 года)	MTTF _d (лет)	DC* (%)	Кат.	HFT	CCF (%)	Срок службы (лет)
R5	3	3	e	91,78	2,89E-09 (2,89 FIT)	7,70E-5	1374	> 90	3	1	80	20
R6...R9	3	3	e	95,04	3,84E-09 (3,84 FIT)	1,56E-4	1374	> 90	3	1	80	20

* согласно таблице E.1 стандарта EN/ISO 13849-1

- При расчетах безопасных значений используется следующий температурный профиль:
 - 670 циклов включения/выключения в год при $\Delta T = 71,66 \text{ }^\circ\text{C}$
 - 1340 циклов включения/выключения в год при $\Delta T = 61,66 \text{ }^\circ\text{C}$
 - 30 циклов включения/выключения в год при $\Delta T = 10,0 \text{ }^\circ\text{C}$
 - 32 $^\circ\text{C}$ — температура платы 2,0 % времени
 - 60 $^\circ\text{C}$ — температура платы 1,5 % времени
 - 85 $^\circ\text{C}$ — температура платы 2,3 % времени.
- Функция STO с компонентом обеспечения безопасности типа А согласно стандарту IEC 61508-2.
- Соответствующие состояния отказа:
 - Функция STO срабатывает не всегда (сбой механизма безопасности)
 - Функция STO не срабатывает при явном вызове

Режим отказа «короткое замыкание на печатной плате» был исключен (EN 13849-2, таблица D.5). Данный анализ предполагает, что в один момент происходит только один отказ. Накопление отказов не анализировалось.

- Время срабатывания STO (минимальный регистрируемый разрыв): 1 мс
- Время отклика STO: 2 мс (среднее), 5 мс (максимум)
- Время обнаружения отказа: Каналы находятся в разном состоянии более 200 мс
- Время срабатывания при отказе: Время обнаружения отказа + 10 мс
- Задержка функции STO перед отображением сообщения о сбое (параметр 31.22): < 500 мс
- Задержка функции STO перед отображением предупреждения (параметр 31.22): < 1000 мс

■ Сокращения

Сокращ.	Ссылка на стандарт	Описание
Кат.	EN ISO 13849-1	Классификация компонентов системы управления, связанных с безопасностью, в плане их устойчивости к отказам и последующего поведения в состоянии отказа, обеспечиваемых за счет конструктивного расположения компонентов, средств обнаружения отказов и/или надежности компонентов. Категории: В, 1, 2, 3 и 4.
CCF	EN ISO 13849-1	Отказ по общей причине (%)
DC	EN ISO 13849-1	Диагностический охват
FIT	IEC 61508	Число отказов за время: 1E-9 часов
HFT	IEC 61508	Допуск на отказ оборудования
MTTF _d	EN ISO 13849-1	Среднее время наработки на опасный отказ: (Общий срок службы) / (число опасных, не обнаруженных отказов) в течение определенного интервала измерений при заданных условиях
PFD	IEC 61508	Требуемая вероятность отказов
PFH	IEC 61508	Вероятность опасных отказов за 1 час
PL	EN ISO 13849-1	Уровень производительности. Уровни а...е соответствуют SIL
SC	IEC 61508	Систематическая возможность
SFF	IEC 61508	Доля безопасных отказов (%)
SIL	IEC 61508	Уровень полноты безопасности (1...3)
SILCL	IEC/EN 62061	Максимальный уровень безопасности SIL (уровень 1...3) функции защиты или подсистемы
SS1	IEC/EN 61800-5-2	Безопасный останов 1
STO	IEC/EN 61800-5-2	Безопасное отключение крутящего момента
T1	IEC 61508-6	Интервал контрольных испытаний. Параметр T1 используется, чтобы определить вероятную частоту отказов (PFH или PFD) для функции безопасности или подсистемы. Чтобы поддерживать уровень SIL, интервал между контрольными испытаниями не должен превышать T1. Такой же интервал требуется для поддержания уровня PL (EN ISO 13849). Следует отметить, что любые указанные значения T1 не следует рассматривать как гарантию. См. также раздел <i>Техническое обслуживание</i> на стр. 240.

14

Резистивное торможение

Обзор содержания главы

В этой главе приведена информация по выбору, защите и подключению тормозных прерывателей и резисторов. Глава также содержит технические характеристики.

Описание принципа действия и оборудования

Приводы типоразмеров R1...R4 в стандартном исполнении имеют встроенный тормозной прерыватель. Приводы типоразмеров R5 и выше могут снабжаться дополнительным встроенным тормозным прерывателем (+D150). Резисторы поставляются в виде дополнительных комплектов.

Тормозной прерыватель передает энергию, вырабатываемую замедляющимся двигателем. Прерыватель подключает тормозной резистор к промежуточной цепи постоянного тока, когда напряжение в цепи превышает предел, заданный программой управления. Рассеивание энергии, вызванное потерями на резисторе, вызывает снижение напряжения до уровня, при котором возможно отключение резистора.

Планирование тормозной системы

■ Выбор компонентов системы торможения

1. Рассчитайте максимальную мощность, вырабатываемую двигателем во время торможения (P_{\max}).
 2. Выберите подходящую комбинацию привода, прерывателя и тормозного резистора для данного применения с помощью таблицы номинальных характеристик на стр. 251. Мощность торможения прерывателя должна быть не менее максимальной мощности, генерируемой двигателем во время торможения.
-

3. Проверьте выбор резистора. Энергия, генерируемая двигателем в течение 400 секунд, не должна превышать значения энергии, которую может рассеять резистор E_R .

Примечание. Если значение E_R слишком мало, можно использовать блок из четырех стандартных резисторов, при этом две пары параллельно соединенных резисторов включаются последовательно. Значение E_R для блока из четырех резисторов в четыре раза больше этого значения для стандартного резистора.

■ Выбор резистора стороннего поставщика

Если предполагается использовать резистор, отличный от предусмотренного по умолчанию, следует убедиться в том, что:

1. Сопротивление резистора стороннего поставщика превышает или равно сопротивлению резистора по умолчанию, указанному в таблице номинальных характеристик на стр. 251:

$$R \geq R_{\min}$$

где

R Сопротивление резистора, указанного в таблице.



ПРЕДУПРЕЖДЕНИЕ! Запрещается использование тормозного резистора с сопротивлением менее R_{\min} . Привод и прерыватель не в состоянии выдержать перегрузку по току, вызванную малым сопротивлением резистора.

R_{\min} Сопротивление резистора, предусмотренного по умолчанию

2. Нагрузочная способность резистора стороннего поставщика превышает мгновенную максимальную потребляемую мощность резистора, когда он подключен к вставке постоянного тока привода через прерыватель:

$$P_r < \frac{U_{DC}^2}{R}$$

где

P_r Нагрузочная способность резистора стороннего поставщика

U_{DC} Напряжение вставки постоянного тока привода.

$1,35 \cdot 1,25 \cdot 415 \text{ В}$ (= при напряжении питания от 380 до 415 В~)

$1,35 \cdot 1,25 \cdot 500 \text{ В}$ (= при напряжении питания от 440 до 500 В~) или

$1,35 \cdot 1,25 \cdot 690 \text{ В}$ (= при напряжении питания от 525 до 690 В~)

R Сопротивление резистора стороннего поставщика

■ Выбор и прокладка кабелей тормозных резисторов

Для подключения резисторов используйте кабели того же типа, что и для подключения привода к сети; это обеспечивает защиту кабелей резисторов входными предохранителями. Для подключения также пригоден двухпроводный экранированный кабель с таким же сечением проводников.

Минимизация электромагнитных помех

Для снижения уровня электромагнитных помех, вызванных быстрыми изменениями тока в кабелях резисторов, необходимо соблюдать следующие правила:

- Цепь питания тормозного блока должна быть полностью экранирована с помощью защитного экрана или металлического кабелепровода. Неэкранированный одножильный кабель может быть использован только при прокладке внутри шкафа, который эффективно подавляет излучаемые помехи.
- Прокладывайте кабели на достаточном расстоянии от других кабелей.
- Кабели не следует прокладывать параллельно с другими кабелями на значительную длину. Минимальное расстояние между параллельными кабелями составляет 0,3 м.
- Пересечение с другими кабелями следует выполнять под прямым углом.
- В целях минимизации электромагнитного излучения и нагрузки на IGBT-транзисторы тормозного прерывателя следует использовать как можно более короткий кабель. Чем длиннее кабель, тем больше будут электромагнитное излучение, индуктивная нагрузка и пиковое напряжение на IGBT-транзисторах тормозного прерывателя.

Максимальная длина кабеля

Длина кабеля (кабелей) резистора не должна превышать 10 м.

Соответствие всей установки требованиям ЭМС

Примечание. Корпорация АВВ не несет ответственности за соответствие установки требованиям ЭМС при использовании подбираемых заказчиком внешних тормозных резисторов и кабелей. За обеспечение соответствия установки требованиям ЭМС отвечает заказчик.

■ Установка тормозных резисторов

Резисторы устанавливаются снаружи привода в таком месте, где будет обеспечено их охлаждение.

Охлаждение резисторов должно быть организовано таким образом, чтобы:

- исключить опасность перегрева резистора и окружающих материалов;
- температура в помещении, в котором устанавливается резистор, не превышала максимально допустимого значения.

Охлаждение резисторов воздухом или водой должно осуществляться в соответствии с указаниями производителя.

⚠ ПРЕДУПРЕЖДЕНИЕ! Все материалы, расположенные вблизи резистора, должны быть негорючими. Поверхность резистора сильно нагревается.

Поток воздуха от резистора имеет температуру в сотни градусов Цельсия.

При соединении воздухопроводов с системой вентиляции соответствующие материалы должны выдерживать высокую температуру. Необходимо обеспечить защиту резистора от прикосновения.

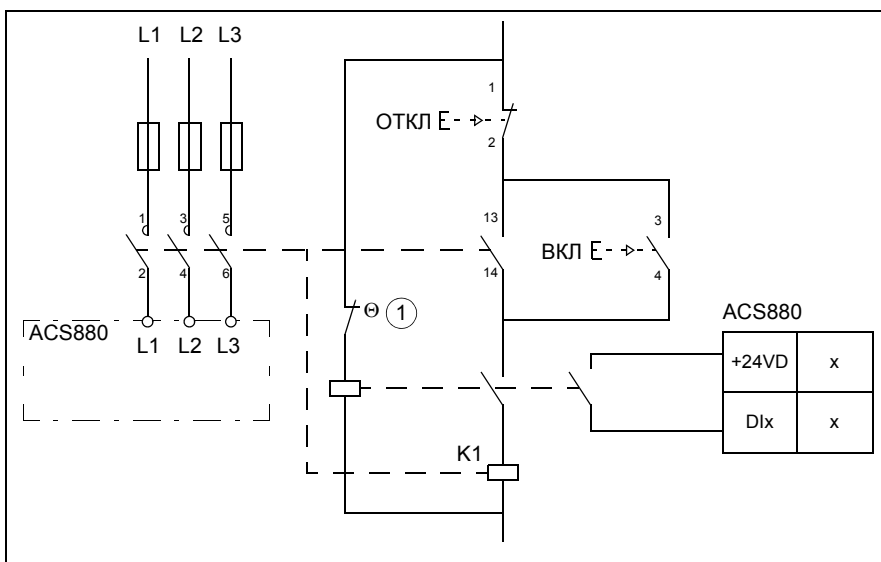
■ Защита системы от перегрева

Тормозной прерыватель имеет собственную встроенную защиту и защищает от перегрева кабели резистора при условии, что типоразмер кабелей соответствует номинальному току привода. Программа управления приводом включает функцию тепловой защиты резистора и кабеля резистора, настраиваемую пользователем. (см. руководство по микропрограммному обеспечению).

Типоразмеры R1...R4

Для обеспечения безопасности настоятельно рекомендуется подключать привод через главный контактор. Контактор должен размыкаться в случае перегрева резистора. С точки зрения безопасности это очень важно, так как иначе невозможно отключить главное питание привода в случае, когда тормозной прерыватель остается в замкнутом состоянии во время возникновения аварийной ситуации. Ниже изображен пример схемы подключения. Резисторы ABB в стандартном исполнении снабжены термореле (1) внутри резисторного блока. Реле срабатывает при перегреве и перегрузке.

Рекомендуется также подключить термореле к цифровому входу привода.

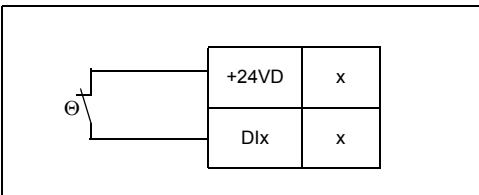


Типоразмеры R5...R9

Входной контактор для защиты резисторов от перегрева не требуется, если параметры резистора выбраны в соответствии с инструкциями и используется встроенный тормозной прерыватель. Привод прекращает поток мощности через входной мост, если тормозной прерыватель остается в замкнутом состоянии при наличии отказа, но зарядный резистор может выйти из строя.

Примечание. При использовании внешнего тормозного прерывателя (установленного вне приводного модуля) применение входного контактора обязательно.

Для обеспечения безопасности требуется использование термореле (в стандартном исполнении находится в резисторах АВВ). Кабель термореле должен быть экранированным, а его длина не должна превышать длины кабеля резистора. Подключите термореле к цифровому входу на блоке управления приводом, как показано на приведенном ниже рисунке.



■ Защита кабеля резистора от коротких замыканий

Входные предохранители также защищают кабель резистора, если этот кабель идентичен входному кабелю.

Механический монтаж

Все тормозные резисторы должны быть установлены вне привода. Соблюдайте указания изготовителя резисторов.

Электрический монтаж

■ Проверка изоляции конструкции

Следуйте указаниям, содержащимся в разделе [Блок тормозных резисторов](#) на стр. 90.

■ Схема подключения

См. раздел [Схема подключения](#) на стр. 92.

■ Порядок подключения

- Подключите кабели резистора к клеммам R+ и R- таким же образом, как и другие силовые кабели. Если используется трехжильный экранированный

кабель, отрежьте третий проводник, изолируйте его и заземлите скрученный экран кабеля (проводник защитного заземления резисторного блока) на обоих концах.

- Подключите термореле тормозного резистора как описано выше в разделе [Типоразмеры R1...R4](#) или [Типоразмеры R5...R9](#).

Ввод в эксплуатацию

Примечание. При первом использовании тормозных резисторов их защитная смазка сгорит. Убедитесь в наличии достаточного количества окружающего воздуха.

Установите следующие параметры (основная программа управления ACS880):

- Отключите функцию контроля повышенного напряжения привода (параметр **30.30 Контроль перенапряжения**).
- Параметр **31.01 Источник внеш. события 1** должен указывать на цифровой вход, к которому присоединено термореле тормозного резистора.
- Установите для параметра **31.02 Тип внешн. события 1** значение **Fault** (Отказ).
- Включите тормозной прерыватель, используя параметр **43.06 Разреш. тормозн. прерыв.** Если выбрано значение **Разрешено с тепловой моделью**, установите также параметры защиты от перегрузки тормозного резистора 43.08 и 43.09 в соответствии со способом использования.
- Для типоразмеров R5...R9: Установите для параметра **43.07 Время работы торм. прерыв. вкл.** значение **Другое [бит]** и выберите в параметре **10.01 Состояние DI** цифровой вход, к которому подключено тепловое реле тормозного резистора.
- Проверьте установленное значение сопротивления в параметре **43.10 Сопротивление тормож.**

Если параметры установлены подобным образом, при перегреве тормозного резистора привод останавливается выбегом.



ПРЕДУПРЕЖДЕНИЕ! Если привод оснащен тормозным прерывателем, но функция прерывателя не активизирована с помощью соответствующего параметра, внутренняя защита от перегрева тормозного резистора в этом случае не используется. В этом случае тормозной резистор необходимо демонтировать.

Значения параметров для других программ управления приведены в соответствующем руководстве по микропрограммному обеспечению.

Технические характеристики

■ Номинальные характеристики

Тип привода	Внутренний тормозной прерыватель		Пример тормозного резистора (резисторов)			
	P_{brcont}	R_{min}	Тип	R	E_R	P_{Rcont}
	кВт	Ом		Ом	кДж	кВт
$U_N = 230 \text{ В}$						
ACS880-01-04A6-2	0,75	65	JBR-03	80	40	0,14
ACS880-01-06A6-2	1,1	65	JBR-03	80	40	0,14
ACS880-01-07A5-2	1,5	65	JBR-03	80	40	0,14
ACS880-01-10A6-2	2,2	65	JBR-03	80	40	0,14
ACS880-01-16A8-2	4,0	18	SACE15RE22	22	420	2
ACS880-01-24A3-2	5,5	18	SACE15RE22	22	420	2
ACS880-01-031A-2	7,5	13	SACE15RE13	13	435	2
ACS880-01-046A-2	11	12	SACE15RE13	13	435	2
ACS880-01-061A-2	11	12	SACE15RE13	13	435	2
ACS880-01-075A-2	18,5	6	SAFUR90F575	8	1800	4,5
ACS880-01-087A-2	22	6	SAFUR90F575	8	1800	4,5
ACS880-01-115A-2	30	3,5	SAFUR125F500	4	3600	9
ACS880-01-145A-2	37	3,5	SAFUR125F500	4	3600	9
ACS880-01-170A-2	45	2,4	SAFUR200F500	2,7	5400	13,5
ACS880-01-206A-2	55	2,4	SAFUR200F500	2,7	5400	13,5
ACS880-01-274A-2	75	1,8	SAFUR200F500	2,7	5400	13,5
$U_N = 400 \text{ В}$						
ACS880-01-02A4-3	0,75	78	JBR-03	80	40	0,14
ACS880-01-03A3-3	1,1	78	JBR-03	80	40	0,14
ACS880-01-04A0-3	1,5	78	JBR-03	80	40	0,14
ACS880-01-05A6-3	2,2	78	JBR-03	80	40	0,14
ACS880-01-07A2-3	3,0	78	JBR-03	80	40	0,14
ACS880-01-09A4-3	4,0	78	JBR-03	80	40	0,14
ACS880-01-12A6-3	5,5	78	JBR-03	80	40	0,14
ACS880-01-017A-3	7,5	39	SACE08RE44	44	210	1
ACS880-01-025A-3	11	39	SACE08RE44	44	210	1
ACS880-01-032A-3	15	19	SACE15RE22	22	420	2
ACS880-01-038A-3	18,5	19	SACE15RE22	22	420	2
ACS880-01-045A-3	22	13	SACE15RE13	13	435	2
ACS880-01-061A-3	22	13	SACE15RE13	13	435	2
ACS880-01-072A-3	37	8	SAFUR90F575	8	1800	4,5
ACS880-01-087A-3	45	8	SAFUR90F575	8	1800	4,5
ACS880-01-105A-3	55	5,4	SAFUR80F500	6	2400	6

Тип привода	Внутренний тормозной прерыватель		Пример тормозного резистора (резисторов)			
	P_{brcont}	R_{min}	Тип	R	E_R	P_{Rcont}
	кВт	Ом		Ом	кДж	кВт
ACS880-01-145A-3	75	5,4	SAFUR80F500	6	2400	6
ACS880-01-169A-3	90	3,3	SAFUR125F500	4	3600	9
ACS880-01-206A-3	110	3,3	SAFUR125F500	4	3600	9
ACS880-01-246A-3	132	2,3	SAFUR200F500	2,7	5400	13,5
ACS880-01-293A-3	132	2,3	SAFUR200F500	2,7	5400	13,5
ACS880-01-363A-3	160	2,0	SAFUR200F500	2,7	5400	13,5
ACS880-01-430A-3	160	2,0	SAFUR200F500	2,7	5400	13,5
$U_N = 500 \text{ В}$						
ACS880-01-02A1-5	0,75	78	JBR-03	80	40	0,14
ACS880-01-03A0-5	1,1	78	JBR-03	80	40	0,14
ACS880-01-03A4-5	1,5	78	JBR-03	80	40	0,14
ACS880-01-04A8-5	2,2	78	JBR-03	80	40	0,14
ACS880-01-05A2-5	3,0	78	JBR-03	80	40	0,14
ACS880-01-07A6-5	4,0	78	JBR-03	80	40	0,14
ACS880-01-11A0-5	5,5	78	JBR-03	80	40	0,14
ACS880-01-014A-5	7,5	39	SACE08RE44	44	210	1
ACS880-01-021A-5	11	39	SACE08RE44	44	210	1
ACS880-01-027A-5	15	19	SACE15RE22	22	420	2
ACS880-01-034A-5	18,5	19	SACE15RE22	22	420	2
ACS880-01-040A-5	22	13	SACE15RE13	13	435	2
ACS880-01-052A-5	22	13	SACE15RE13	13	435	2
ACS880-01-065A-5	37	8	SAFUR90F575	8	1800	4,5
ACS880-01-077A-5	45	8	SAFUR90F575	8	1800	4,5
ACS880-01-096A-5	55	5,4	SAFUR80F500	6	2400	6
ACS880-01-124A-5	75	5,4	SAFUR80F500	6	2400	6
ACS880-01-156A-5	90	3,3	SAFUR125F500	4	3600	9
ACS880-01-180A-5	110	3,3	SAFUR125F500	4	3600	9
ACS880-01-240A-5	132	2,3	SAFUR200F500	2,7	5400	13,5
ACS880-01-260A-5	132	2,3	SAFUR200F500	2,7	5400	13,5
ACS880-01-302A-5	160	2,3	SAFUR200F500	2,7	5400	13,5
ACS880-01-361A-5	160	2,3	SAFUR200F500	2,7	5400	13,5
ACS880-01-414A-5	160	2,3	SAFUR200F500	2,7	5400	13,5
$U_N = 690 \text{ В}$						
ACS880-01-07A3-7	6	18	SACE08RE44	44	210	1
ACS880-01-09A8-7	8	18	SACE08RE44	44	210	1
ACS880-01-14A2-7	11	18	SACE08RE44	44	210	1
ACS880-01-018A-7	17	18	SACE15RE22	22	420	2

Тип привода	Внутренний тормозной прерыватель		Пример тормозного резистора (резисторов)			
	P_{brcont}	R_{min}	Тип	R	E_R	P_{Rcont}
	кВт	Ом		Ом	кДж	кВт
ACS880-01-022A-7	23	18	SACE15RE22	22	420	2
ACS880-01-026A-7	28	18	SACE15RE22	22	420	2
ACS880-01-035A-7	33	18	SACE15RE22	22	420	2
ACS880-01-042A-7	45	18	SACE15RE22	22	420	2
ACS880-01-049A-7	45	18	SACE15RE22	22	420	2
ACS880-01-061A-7	55	13	SACE15RE13	13	435	2
ACS880-01-084A-7	65	13	SACE15RE13	13	435	2
ACS880-01-098A-7	90	8	SAFUR90F575	8	1800	4,5
ACS880-01-119A-7	110	8	SAFUR90F575	8	1800	4,5
ACS880-01-142A-7	132	6	SAFUR80F500	6	2400	6
ACS880-01-174A-7	160	6	SAFUR80F500	6	2400	6
ACS880-01-210A-7	200	4	SAFUR125F500	4	3600	9
ACS880-01-271A-7	200	4	SAFUR125F500	4	3600	9

ЗАХД00000588487

P_{brcont} максимальная длительная мощность торможения. Торможение считается длительным, если время торможения превышает 30 секунд.

R_{min} минимально допустимое сопротивление тормозного резистора

R значение сопротивления для указанного блока резисторов

E_R короткий импульс энергии, который блок резисторов может выдерживать каждые 400 секунд

P_{Rcont} длительно рассеиваемая мощность (тепловая) при правильном расположении резистора

Значения указаны для температуры окружающего воздуха 40 °С.

■ Класс защиты и тепловая постоянная резисторов

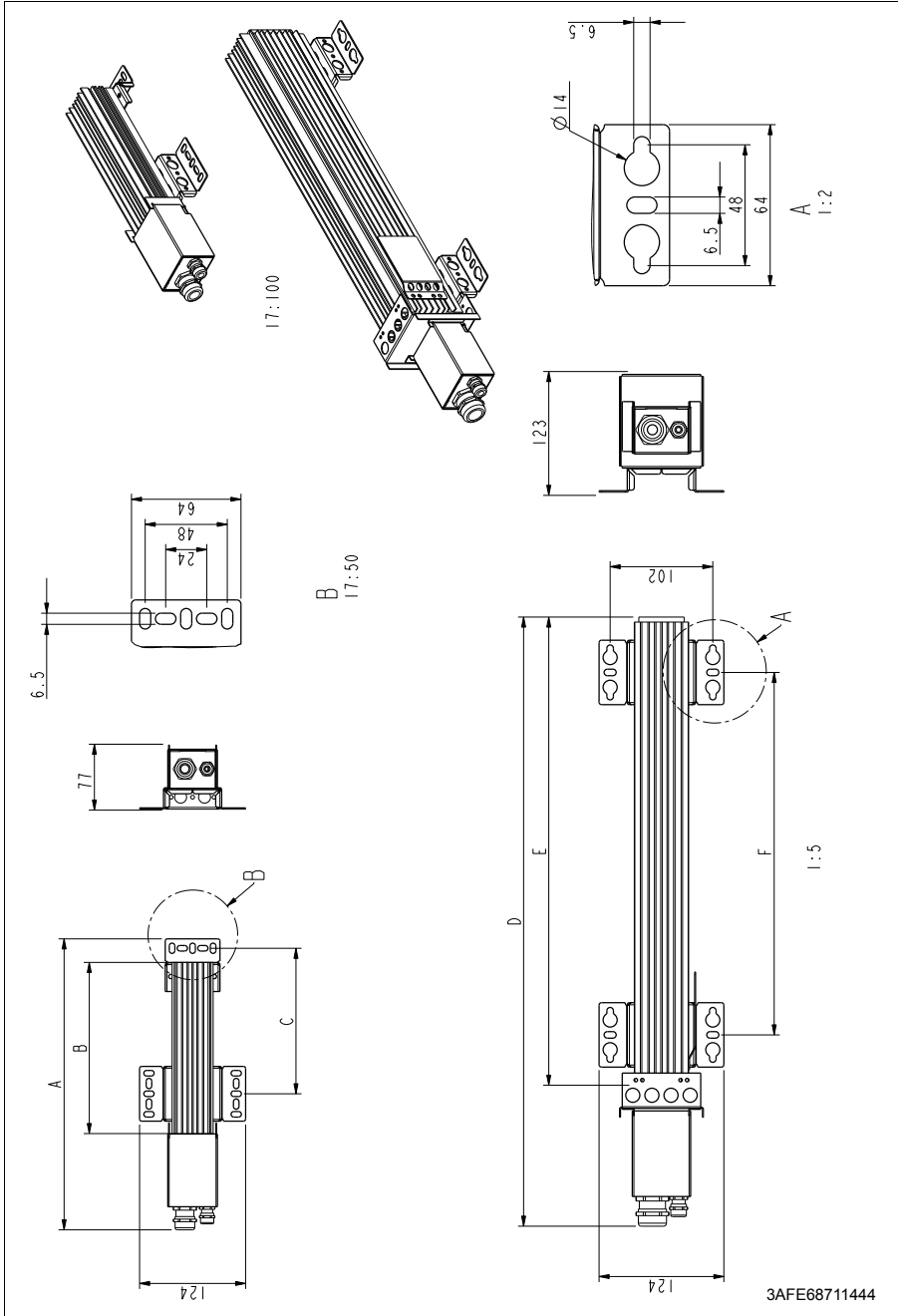
Тип резистора	Класс защиты	Тепловая постоянная (постоянные)
SACE	IP21	200
SAFUR	IP00	555

■ Характеристики клемм и кабельных вводов

См. раздел [Данные клемм и вводов силовых кабелей](#) на стр. 191.

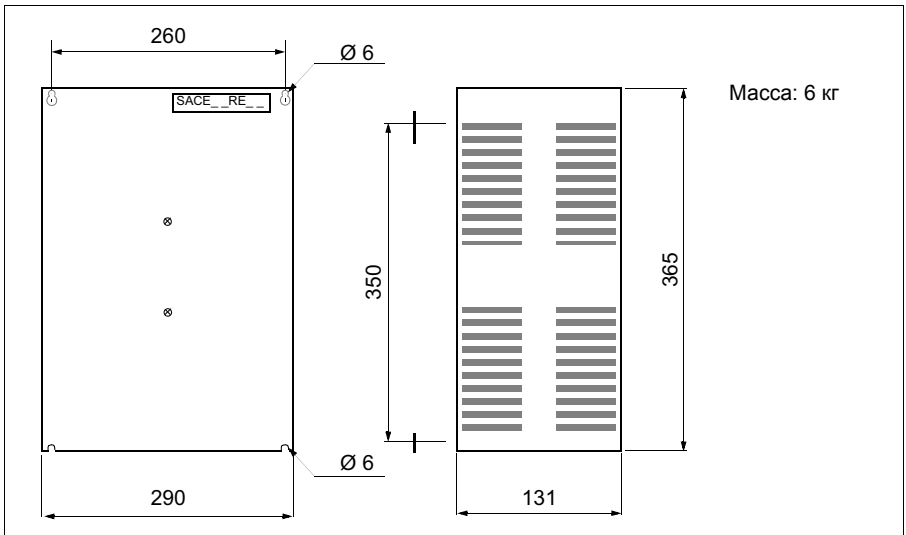
Размеры и масса внешних резисторов

JBR-03

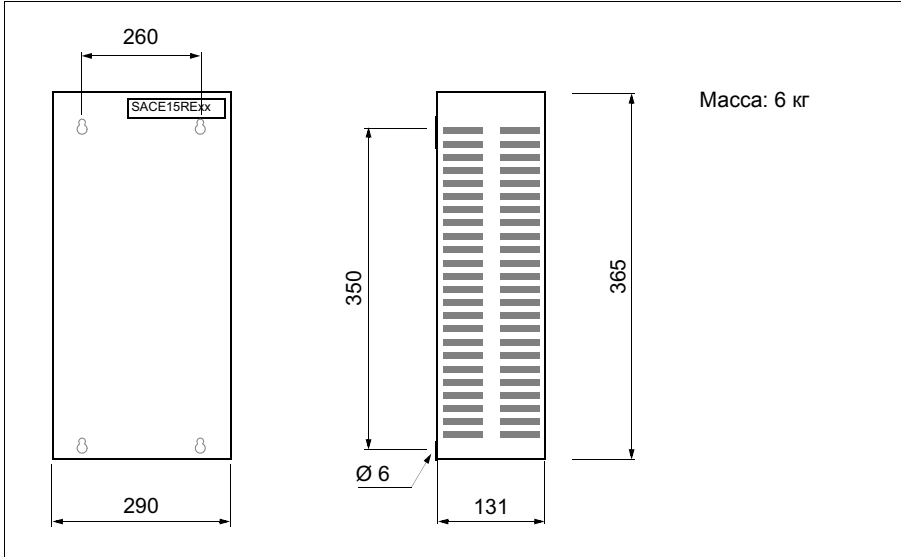


Тормозной резистор JBR-03	
Размер А	340 мм
Размер В	200 мм
Размер С	170 мм
Вес	0,8 кг
Максимальное сечение проводов силовых клемм	10 мм ² (AWG6)
Крутящий момент затяжки силовых клемм	1,5 ... 1,8 Н·м
Сечение проводов клемм термореле	4 мм ² (AWG12)
Крутящий момент затяжки клемм термореле	0,6 ... 0,8 Н·м

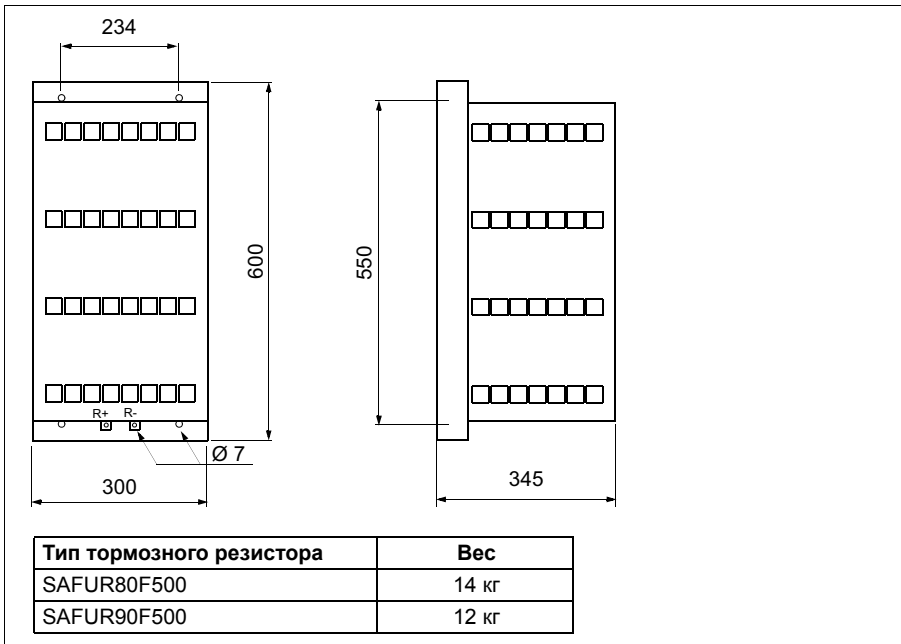
■ SACE08RE44



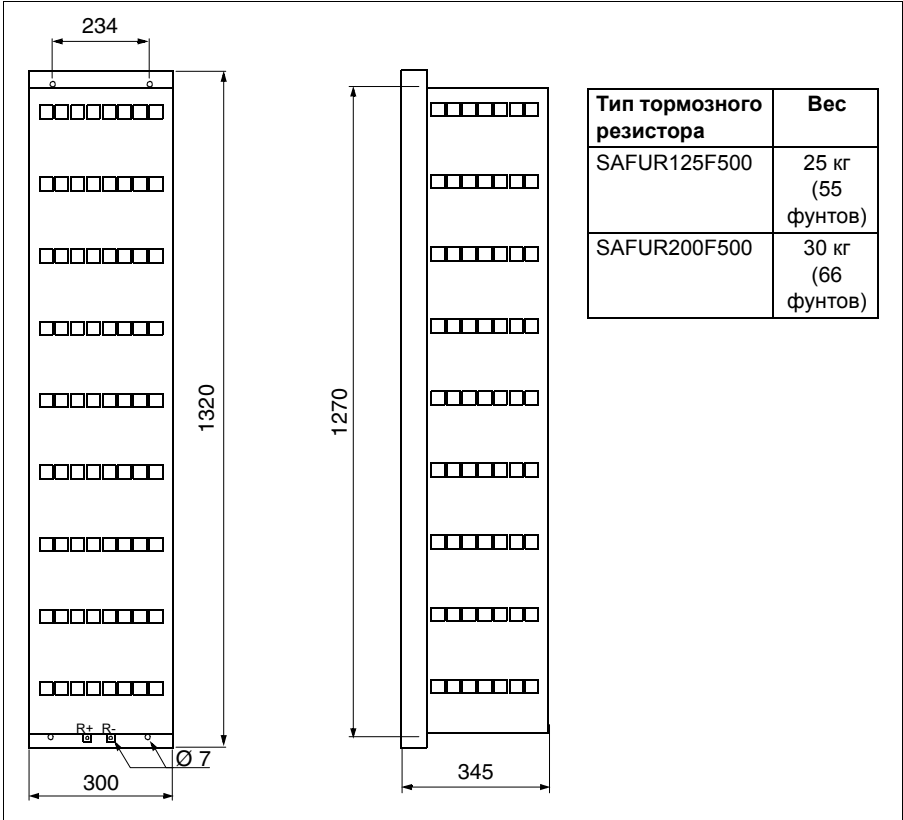
■ SACE15RE13 и SACE15RE22



■ SAFUR80F500 и SAFUR90F575



■ SAFUR125F500 и SAFUR200F500



15

Фильтры синфазных помех, du/dt и синус-фильтры

Обзор содержания главы

В этой главе приведены сведения по выбору внешних фильтров для привода.

Фильтры синфазных помех

■ Когда требуется фильтр синфазных помех?

См. раздел [Проверка совместимости двигателя и привода](#), стр. 58. Корпорация АВВ предлагает комплект фильтра синфазных помех для привода (номер заказа 64315811). Комплект содержит три ленточных сердечника. Указания по монтажу сердечников приведены в инструкции, входящей в комплект сердечника.

Фильтры du/dt

■ Когда требуется фильтр du/dt ?

См. раздел [Проверка совместимости двигателя и привода](#), стр. 58.

■ Типы фильтров du/dt

Тип привода ACS880-01-	Тип фильтра du/dt	Тип привода ACS880-01-	Тип фильтра du/dt	Тип привода ACS880-01-	Тип фильтра du/dt
$U_N = 400$ В		$U_N = 500$ В		$U_N = 690$ В	
02A4-3	NOCH0016-6X	02A1-5	NOCH0016-6X	07A3-7	NOCH0016-6X
03A3-3	NOCH0016-6X	03A0-5	NOCH0016-6X	09A8-7	NOCH0016-6X
04A0-3	NOCH0016-6X	03A4-5	NOCH0016-6X	14A2-7	NOCH0016-6X
05A6-3	NOCH0016-6X	04A8-5	NOCH0016-6X	018A-7	NOCH0030-6X
07A2-3	NOCH0016-6X	05A2-5	NOCH0016-6X	022A-7	NOCH0030-6X
09A4-3	NOCH0016-6X	07A6-5	NOCH0016-6X	026A-7	NOCH0030-6X
12A6-3	NOCH0016-6X	11A0-5	NOCH0016-6X	035A-7	NOCH0070-6X
017A-3	NOCH0030-6X	014A-5	NOCH0030-6X	042A-7	NOCH0070-6X
025A-3	NOCH0030-6X	021A-5	NOCH0030-6X	049A-7	NOCH0070-6X
032A-3	NOCH0070-6X	027A-5	NOCH0070-6X	061A-7	NOCH0120-6X
038A-3	NOCH0070-6X	034A-5	NOCH0070-6X	084A-7	NOCH0120-6X
045A-3	NOCH0070-6X	040A-5	NOCH0070-6X	098A-7	NOCH0120-6X
061A-3	NOCH0070-6X	052A-5	NOCH0070-6X	119A-7	FOCH0260-70
072A-3	NOCH0120-6X	065A-5	NOCH0120-6X	142A-7	FOCH0260-70
087A-3	NOCH0120-6X	077A-5	NOCH0120-6X	174A-7	FOCH0260-70
105A-3	NOCH0120-6X	096A-5	NOCH0120-6X	210A-7	FOCH0260-70
145A-3	FOCH0260-70	124A-5	FOCH0260-70	271A-7	FOCH0260-70
169A-3	FOCH0260-70	156A-5	FOCH0260-70	-	-
206A-3	FOCH0260-70	180A-5	FOCH0260-70	-	-
246A-3	FOCH0260-70	240A-5	FOCH0260-70	-	-
293A-3	FOCH0260-70	260A-5	FOCH0260-70	-	-
363A-3	FOCH0320-50	302A-5	FOCH0320-50	-	-
430A-3	FOCH0320-50	361A-5	FOCH0320-50	-	-
-	-	414A-5	FOCH0320-50	-	-

3AXD00000588487

■ Описание, монтаж и технические характеристики фильтров FOCH

См. документ *FOCH du/dt filters hardware manual* (код английской версии 3AFE68577519).

■ Описание, монтаж и технические характеристики фильтров NOCH

См. документ *AOCH and NOCH du/dt filters hardware manual* (код английской версии 3AFE58933368).

Синус-фильтры

■ Выбор синус-фильтра для привода

Тип привода ACS880-01-...	Тип синус-фильтра	$I_{cont. max}$	$P_{cont. max}$	Тепловыделение			Шум
				Привод	Фильтр	Всего	
		А	кВт	Вт	Вт	Вт	дБ(А)
$U_N = 400 В$							
02А4-3	B84143V0004R229	2,3	1,7	30	60	90	72
03А3-3	B84143V0004R229	3,1	2,3	40	60	100	72
04А0-3	B84143V0004R229	3,8	2,9	52	60	112	72
05А6-3	B84143V0006R229	5,3	4,0	73	100	173	72
07А2-3	B84143V00011R229	7,2	5,4	94	90	184	72
09А4-3	B84143V00011R229	9,2	6,9	122	90	212	72
12А6-3	B84143V0016R229	12,1	9,1	172	80	252	72
017А-3	B84143V0025R229	16	12,1	232	140	372	75
025А-3	B84143V0025R229	24	17,7	337	140	477	75
032А-3	B84143V0033R229	31	23,4	457	160	617	75
038А-3	B84143V0050R229	37	27,5	562	220	782	78
045А-3	B84143V0050R229	43	32,4	667	220	887	78
061А-3	B84143V0066R229	60	45,2	907	250	1157	78
072А-3	B84143V0075R229	64	48,2	1117	310	1427	79
087А-3	B84143V0095R229	77	58,0	1120	400	1520	79
105А-3	B84143V0130R230	91	68,6	1295	*	1295	80
145А-3	B84143V0162R229	126	94,6	1440	*	1440	80
169А-3	B84143V0162R229	153	115,0	1940	*	1940	80
206А-3	B84143V0230R229	187	140,6	2310	900	3210	80
246А-3	B84143V0230R229	209	157,6	3300	900	4200	80
293А-3	B84143V0390R229	249	187,8	3900	1570	5470	80
363А-3	B84143V0390R229	297	223,6	4800	1570	6370	80
430А-3	B84143V0390R229	352	265,2	6000	1570	7570	80
$U_N = 500 В$							
02А1-5	B84143V0004R229	1,9	1,4	30	60	90	72
03А0-5	B84143V0004R230	2,8	2,1	40	60	100	72
03А4-5	B84143V0004R231	3,1	2,3	52	60	112	72
04А8-5	B84143V0006R229	4,4	3,3	73	100	173	72
05А2-5	B84143V0006R229	4,8	3,6	94	100	194	72

Тип привода ACS880-01-...	Тип синус-фильтра	$I_{cont. max}$	$P_{cont. max}$	Тепловыделение			Шум
				Привод	Фильтр	Всего	
		А	кВт	Вт	Вт	Вт	дБ(А)
07A6-5	B84143V00011R229	7,0	5,3	122	90	212	72
11A0-5	B84143V00011R229	10,2	7,7	172	90	262	72
014A-5	B84143V0016R229	13	9,8	232	80	312	70
021A-5	B84143V0025R229	20	14,7	337	140	477	75
027A-5	B84143V0033R229	25	18,8	457	160	617	75
034A-5	B84143V0050R229	32	23,7	562	220	782	78
040A-5	B84143V0050R229	35	26,0	667	220	887	78
052A-5	B84143V0066R229	49	36,9	907	250	1157	78
065A-5	B84143V0066R229	60	45,1	1117	250	1367	78
077A-5	B84143V0075R229	62	46,3	1120	310	1430	78
096A-5	B84143V0130R230	80	60,6	1295	*	1295	80
124A-5	B84143V0130R230	104	78,7	1440	*	1440	80
156A-5	B84143V0162R229	140	105,8	1940	*	1940	80
180A-5	B84143V0162R229	162	121,8	2310	*	2310	80
240A-5	B84143V0230R229	205	154,3	3300	900	4200	80
260A-5	B84143V0230R229	221	166,7	3900	900	4800	80
361A-5	B84143V0390R229	289	217,9	4800	1570	6370	80
414A-5	B84143V0390R229	332	250,1	6000	1570	7570	80
$U_N = 690$ В							
07A3-7	B84143V0010R230	6,9	5,2	217	90	307	72
09A8-7	B84143V0010R230	9,3	7,0	284	90	374	72
14A2-7	B84143V0018R230	13,5	10,2	399	130	529	72
018A-7	B84143V0018R230	17,1	12,9	490	130	620	72
022A-7	B84143V0026R230	21	15,7	578	160	738	72
026A-7	B84143V0026R230	25	18,6	660	160	820	72
035A-7	B84143V0040R230	33	25,1	864	250	1114	75
042A-7	B84143V0040R230	40	30,1	998	250	1248	75
049A-7	B84143V0056R230	48	36,2	1120	290	1410	78
061A-7	B84143V0056R230	56	42,5	1295	290	1585	78
084A-7	B84143V0092R230	78	58,6	1440	610	2050	79
098A-7	B84143V0092R230	92	69,3	1940	610	2550	79
119A-7	B84143V0130R230	112	84,2	2310	*	2310	80
142A-7	B84143V0130R230	112	84,7	3300	*	3300	80

Тип привода ACS880-01-...	Тип синус-фильтра	$I_{cont. max}$	$P_{cont. max}$	Тепловыделение			Шум
				Привод	Фильтр	Всего	
		А	кВт	Вт	Вт	Вт	дБ(А)
174А-7	B84143V0207R230	138	103,7	3900	930	4830	80
210А-7	B84143V0207R230	161	121,3	4200	930	5130	80
271А-7	B84143V0207R230	208	156,4	4800	930	5730	80

3AXD00000588487

* Обращайтесь в корпорацию АВВ.

■ Снижение номинальных характеристик

См. раздел [Данные клемм и вводов силовых кабелей](#) на стр. 191.

■ Описание, монтаж и технические данные

См. документ *Sine filters hardware manual* (код английской версии 3AXD50000016814).

Дополнительная информация

Вопросы об изделиях и услугах

По всем вопросам, относящимся к изделию, обращайтесь в местное представительство корпорации АВВ, указав тип и серийный номер устройства. Перечни товаров, а также сведения о технической поддержке и услугах, предлагаемых корпорацией АВВ, можно найти на сайте www.abb.com/searchchannels.

Обучение работе с изделием

Для просмотра информации об обучении работе с изделиями АВВ перейдите на сайт new.abb.com/service/training.

Отзывы о руководствах по приводам АВВ

Корпорация АВВ будет признательна за замечания по руководствам. Перейдите на сайт new.abb.com/drives/manuals-feedback-form.

Библиотека документов в сети Интернет

Руководства и другие документы по изделиям в формате PDF представлены в сети Интернет на сайте www.abb.com/drives/documents.

Контактная информация

www.abb.com/drives

www.abb.com/drivespartners

ЗАУА0000108487 ред. J (RU) ДАТА ВСТУПЛЕНИЯ В СИЛУ: 23.06.2015